


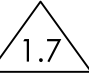






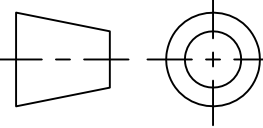
THIS IS CONFIDENTIAL AND PROPRIETARY INFORMATION BELONGING TO ABB INC.

REVISIONS					
REV	ACTION	DRAWN	CHECKED	APPROVED	DATE
AA	L17637	KASTNER	KASTNER	BUSHNELL	08/05/14
AB	D36541	B.LEMEN	M.TOWNSELL	D.ADAMS	16/03/31

1.0 NOTES:

- 1.1 IN ORDER TO COMPLY WITH CERTIFICATION FOR POTENTIALLY EXPLOSIVE ATMOSPHERES, THOSE ITEMS LISTED MUST BE USED ONLY AS SHOWN.
- 1.2 WARNING: EXPLOSION HAZARD - DO NOT REMOVE COVERS UNLESS THE AREA IS KNOWN TO BE NON-HAZARDOUS.
- 1.3 WARNING: THE 1/2 INCH NPT OPENING IN THE BOTTOM SIDE OF THE ENCLOSURE IS FOR USE WITH APPROVED NPT PLUG OR BREATHER/DRAIN ONLY.
- 1.4  WARNING - EXPLOSION HAZARD - DO NOT REMOVE COVER OR USE CONNECTOR UNLESS THE AREA IS KNOWN TO BE NON-HAZARDOUS.
- 1.5  DEDICATED EARTHING ASSEMBLY, CONNECT TO SITE GROUNDING ELECTRODE.
- 1.6  WIRING BY FIELD PERSONNEL.
- 1.7  3/4 INCH NPT AND 1 INCH NPT THREADED CONDUIT OPENINGS. USE ONLY ATEX APPROVED CABLE GLANDS, ATEX APPROVED STOPPING PLUGS OR ATEX APPROVED STOPPING BOXES.
- 1.8  CUSTOMER SUPPLIED EQUIPMENT MUST BE CERTIFIED FOR USE IN THE CLASSIFIED HAZARDOUS LOCATION IN WHICH IT IS INSTALLED.
- 1.9  CUSTOMER SUPPLIED EQUIPMENT MUST NOT USE OR GENERATE MORE THAN 250V WITH RESPECT TO GROUND.
- 1.10  CUSTOMER SUPPLIED EQUIPMENT MUST BE INSTALLED ACCORDING TO THE MANUFACTURERS INSTALLATION INSTRUCTIONS.

END PRODUCT APPROVED FOR USE IN POTENTIALLY EXPLOSIVE ATMOSPHERES.
NO CHANGES ALLOWED WITHOUT APPROVAL OF AUTHORIZED PERSON(S)
IDENTIFIED BY DRAWING 2101982-AI.

ASSEMBLY/QUANTITY	ITEM NO.	PART NUMBER	DESCRIPTION	REF/ZONE DESIG MATERIAL	UNIT MEAS
	001				
DO NOT SCALE DRAWING	UNLESS OTHERWISE SPECIFIED DIMENSIONS ARE IN INCHES		PRODUCT LINE TOTALFLOW®	LEVEL 3	 TOTALFLOW Products
THIRD ANGLE PROJECTION 	TOLERANCES ARE: DECIMAL ANGULAR .XX ± ± -- .XXX ± --		DESIGN D. ADAMS	DATE 06/03/24	
			DRAWN A. KASTNER	06/03/28	
			CHECKED D. ADAMS	06/03/28	
			APPROVED J. BUSHNELL	06/03/28	
	BREAK ALL SHARP CORNERS AND EDGES DIMENSIONS APPLY BEFORE FINISH		SCALE NONE	SIZE B	DOC TYPE CD
			DRAWING NO. 2102333	REV AB	SHEET 1 OF 7

2.0 SPECIFICATION

2.1 MODEL NO. CONFIGURATION

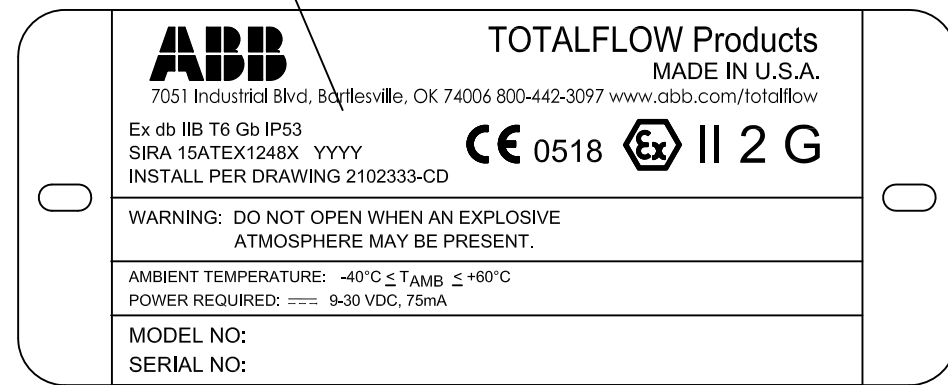
MODEL NUMBER MAY BE PRECEDED BY THE ALPHA CHARACTERS; "uFLO", "FCU", "XFC", "XFC-G4", OR "G4" OR PRINTED WITHOUT ANY ALPHA CHARACTER PROCEEDING THE NUMBERS.

MODEL 6200 F	1	2	3	4	-	-	-	8	-	10	-	-	-	-	16	17	-	-	-	-	-	-	-	26	-	-	-	-	(-	-	-	50	55	56	68
MODEL 6201 F	1	2	3	4	-	-	-	8	-	10	-	-	-	-	16	17	-	-	-	-	-	-	-	26	-	-	-	-)	-	-	-	50	55	56	68

- 1. CERTIFICATION
- 2. ENCLOSURE
- 3. ELECTRONIC BOARD
- 4. MEASUREMENT UNIT ASSEMBLY
- 8. MOUNTING KIT (CERTIFICATION NOT APPLICABLE)
- 10. SPECIAL (CERTIFICATION NOT APPLICABLE)
- 16. I/O OPTION
- 17. TERM BD OPTION
- 26. PRODUCT IDENTIFIER (CERTIFICATION NOT APPLICABLE)
- 50. XFC/XRC FIRMWARE (CERTIFICATION NOT APPLICABLE)
- 55. PCCU OPTION
- 56. DISPLAY OPTION

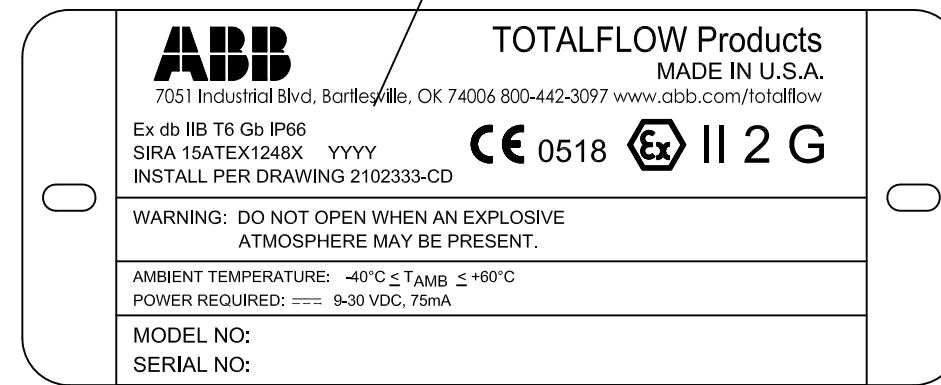
MARKINGS -
ATEX CERTIFIED PRODUCTS ARE MARKED WITH THE FOLLOWING:

"YYYY" DESIGNATES
THE YEAR PRODUCT
WAS MANUFACTURED.



IP53 RATED ENCLOSURES HAVE A
BREATHING/DRAIN LOCATED
ON THE LOWER LEFT SIDE.

"YYYY" DESIGNATES
THE YEAR PRODUCT
WAS MANUFACTURED.



IP66 RATED ENCLOSURES HAVE A
STOPPING PLUG LOCATED
ON THE LOWER LEFT SIDE.

1 CERTIFICATION

F Ex db IIB, T6, Gb T_{amb} = -40°C TO +60°C, CE 0518 Ex II 2 G SIRA 15ATEX1248X

2 ENCL ASSY

2.1 2101820 SANDCAST ENCLOSURE, XFC6200EX II (ADALET)

2.2 2104785-001 SANDCAST ENCL ASSY 45mm (GUPTA).

3 ELECTRONIC BD OPTION

3.1 2103342-001 MOTHERBOARD, 6200EX, G4 W/2102427-001 EC2410 PROCESSOR CARD OR 2103639 EC2410 PROCESSOR CARD 32MB/64MB (NCLUDES: 1801337-001 TADIRAN LITHIUM BATTERY 3.6V 2.1AH TI-5242/W)

4 MEASUREMENT UNIT ASSY

4.1 ELECTRONIC ASSY

4.1.1 2101471-001 EX FLOW COMPUTER PCBA
(INCLUDES: 1801337-001 TADIRAN LITHIUM BATTERY
3.6V 2.1AH TL-5242/W)

4.1.2 2103098-001 EX FLOW COMPUTER (M) PCBA
(INCLUDES: 1801337-001 TADIRAN LITHIUM BATTERY
3.6V 2.1AH TL-5242/W)

4.1.3 2103107-001 EX FLOW COMPUTER REDUCED RANGE PCBA
(INCLUDES: 1801337-001 TADIRAN LITHIUM BATTERY
3.6V 2.1AH TL-5242/W)

4.2 MULTIVARIABLE TRANSDUCER

4.2.1 2101465-XXX ABB MINDEN T2000EX, DP/AP

4.2.2 2102128-XXX ABB MINDEN, DP/AP, EX, OPTIMIZED

4.2.3 2101901-XXX ABB MINDEN, AP, EX

4.2.4 2102182-XXX FOXBORO (EX) XDCR

4.3 SENSOR INTERFACE

4.3.1 2103641 RAW SENSOR SIGNAL DIGITIZING BD

4.3.2 2104742 RAW SENSOR BUFFERED SIGNAL DIGITIZING BD

16 I/O OPTION

16.1 2102458-001 EX/IO DAUGHTER CARD

17 TERM BD OPTION

17.1 2101873-001 EX TERMINATION BD II, XFC6200EX PCBA

17.2 2103344-001 32 BIT POWER/TERM, 6200EX, G4, PCBA

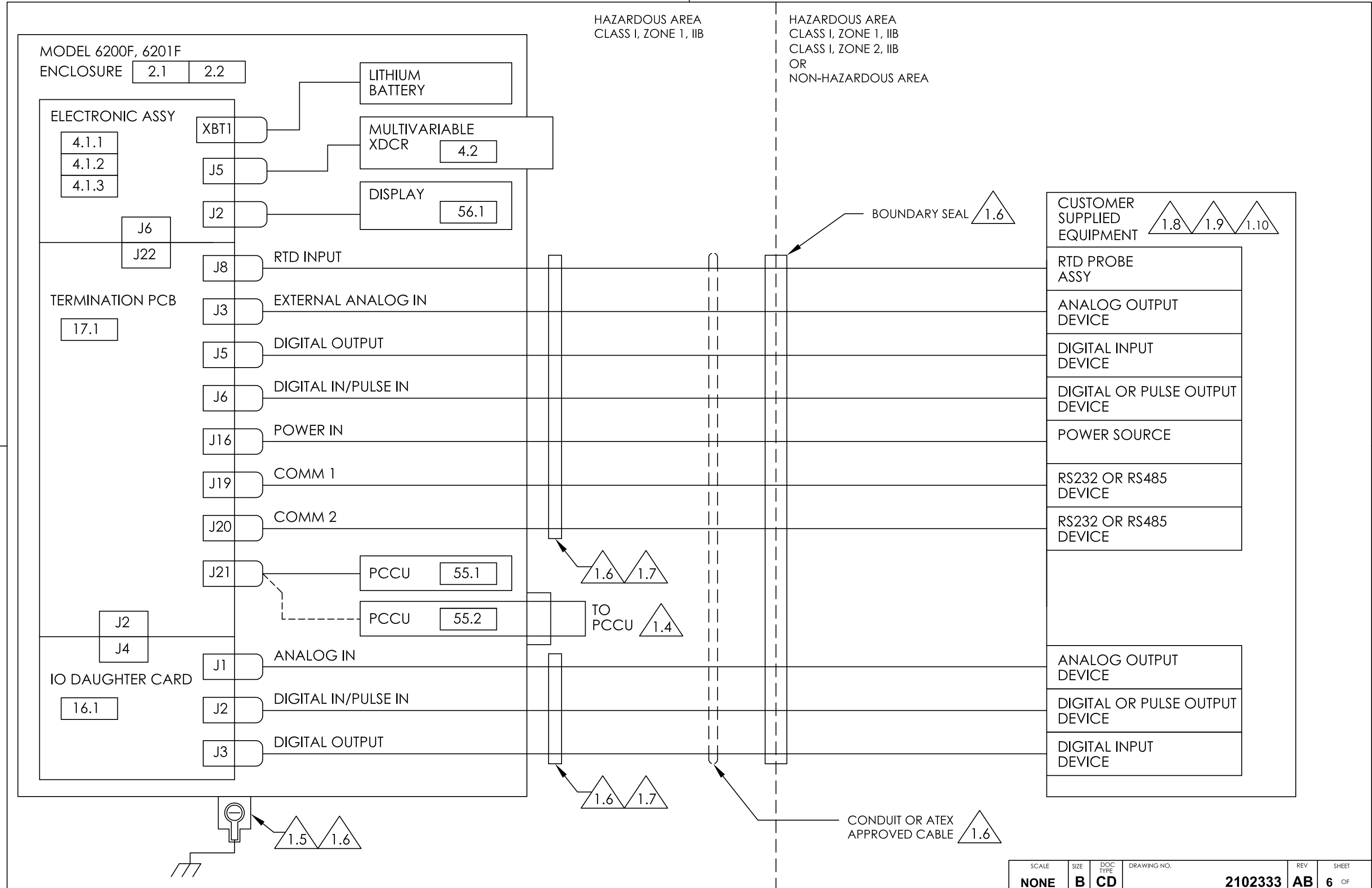
55 PCCU OPTION

55.1 2101667-001 INTERNAL PCCU CONNECTOR (EXTERNAL PCCU ENTRY FITTED WITH PLUG 2101519-001)

55.2 2101416 EXTERNAL PCCU CONNECTOR HOUSING, FLAMEPROOF

56 DISPLAY OPTION

56.1 2101650-001 DISPLAY ASSY, 16 X 4 LCD, HANDTRONIX



MODEL 6200F, 6201F
ENCLOSURE 2.1 2.2

ELECTRONIC ASSY

4.1.1
4.1.2
4.1.3

LITHIUM BATTERY

MULTIVARIABLE XDCR 4.2

DISPLAY 56.1

TERMINATION PCB

17.1

IO DAUGHTER CARD

16.1

CUSTOMER SUPPLIED EQUIPMENT 1.8 1.9 1.10

RTD PROBE ASSY

ANALOG OUTPUT DEVICE

DIGITAL INPUT DEVICE

DIGITAL OR PULSE OUTPUT DEVICE

POWER SOURCE

RS232 OR RS485 DEVICE

RS232 OR RS485 DEVICE

ANALOG OUTPUT DEVICE

DIGITAL OR PULSE OUTPUT DEVICE

DIGITAL INPUT DEVICE

HAZARDOUS AREA CLASS I, ZONE 1, IIB

HAZARDOUS AREA CLASS I, ZONE 1, IIB
CLASS I, ZONE 2, IIB
OR
NON-HAZARDOUS AREA

BOUNDARY SEAL 1.6

1.6 1.7

TO PCCU 1.4

1.6 1.7

CONDUIT OR ATEX APPROVED CABLE 1.6

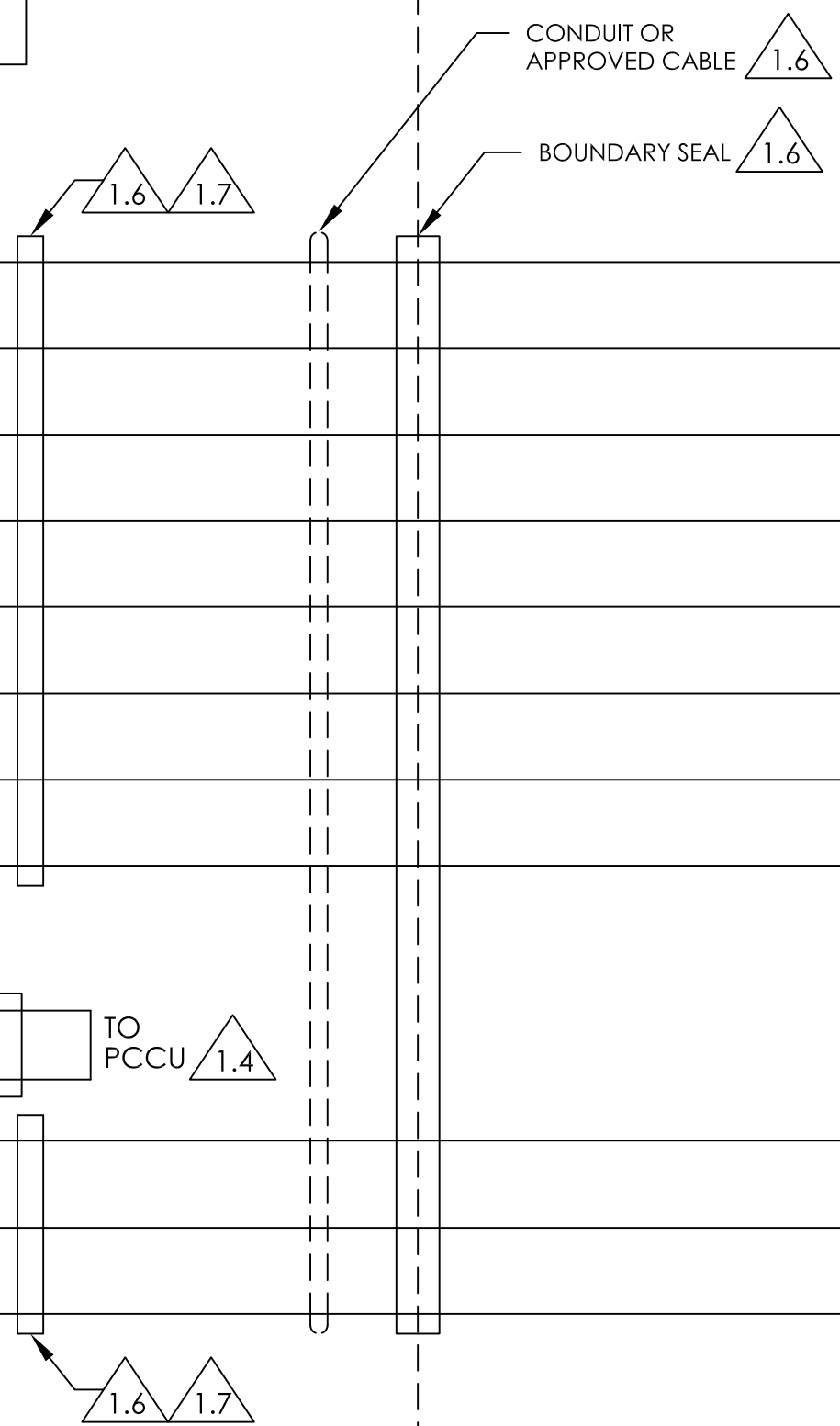
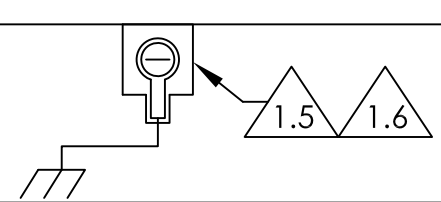
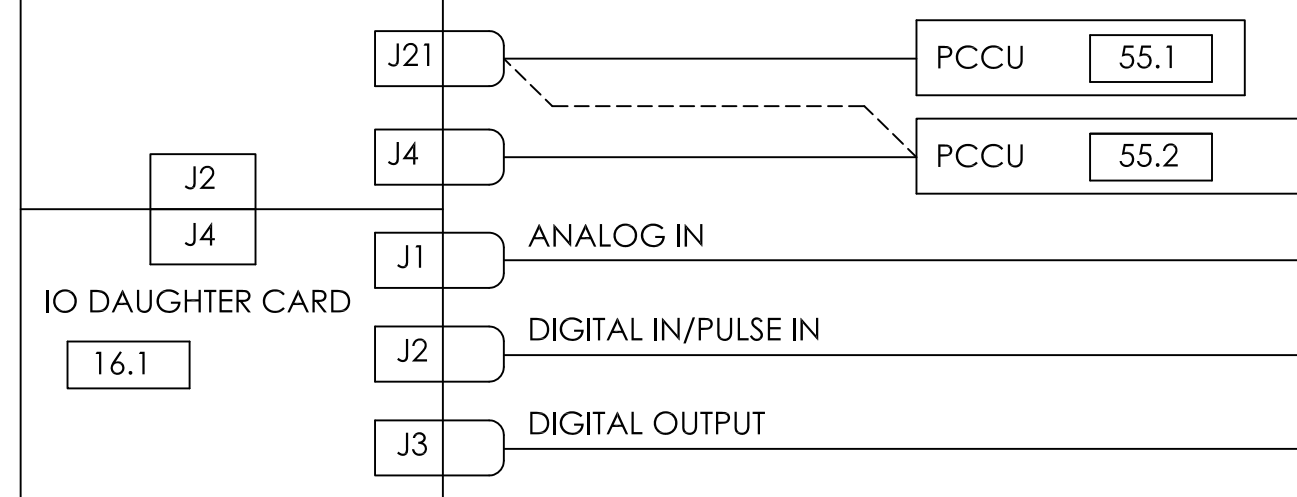
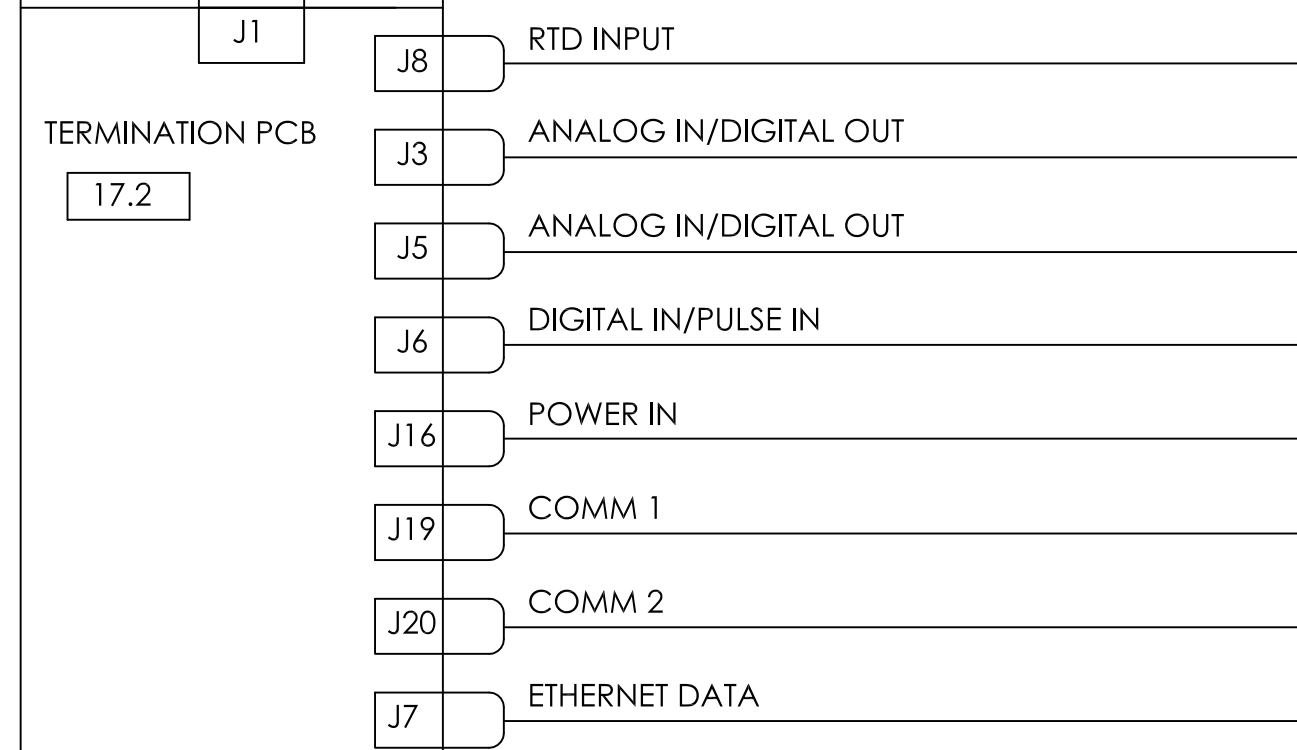
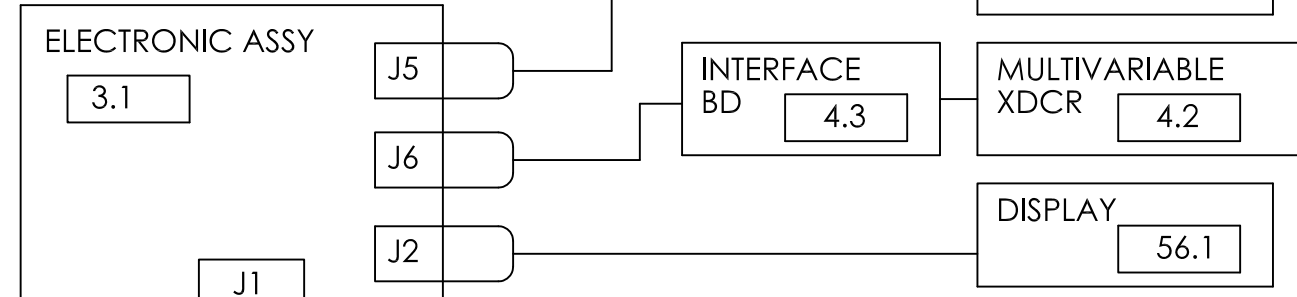
1.5 1.6

SCALE	SIZE	DOC TYPE	DRAWING NO.	REV	SHEET
NONE	B	CD	2102333	AB	6 OF

MODEL 6200(H), 6201(H)
ENCLOSURE 2.1 2.2

HAZARDOUS AREA
CLASS I, ZONE 1, IIB

HAZARDOUS AREA
CLASS I, ZONE 1, IIB
CLASS I, ZONE 2, IIB
OR
NON-HAZARDOUS AREA



CUSTOMER SUPPLIED EQUIPMENT	
RTD PROBE ASSY	1.8
ANALOG OUTPUT/DIGITAL INPUT DEVICE	1.9
ANALOG OUTPUT/DIGITAL INPUT DEVICE	1.10
DIGITAL OR PULSE OUTPUT DEVICE	
POWER SOURCE	
RS232 OR RS485 DEVICE	
RS232 OR RS485 DEVICE	
ETHERNET DEVICE	
ANALOG OUTPUT DEVICE	
DIGITAL OR PULSE OUTPUT DEVICE	
DIGITAL INPUT DEVICE	