

ABB JOKAB SAFETY

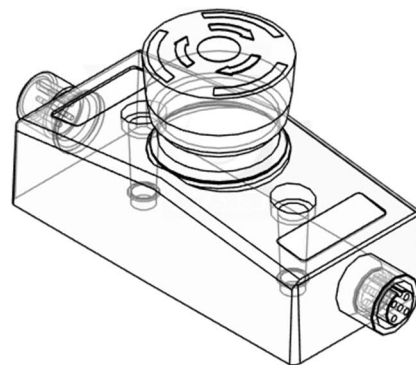
CAD information

2D and 3D data for safety products

2D and 3D CAD

CAD drawings (in various CAD-formats) can be found at Cadenas web portal.

Link: [Cadenas](#)



Electrical CAD drawings

Electrical CAD drawings can be found at EPLAN data portal.

Link: [EPLAN](#)

