



# Palletized AC Disconnect

By Midwest Electric Company

Looking for a bulk solution to power up your projects? Midwest's U065P Non-Fusible AC Disconnect is now available in pallets offering unbeatable convenience and value for large scale operations. Each pallet, U065PPLT1, includes a quantity of 360 U065PP units which are individually packaged versions of U065P. Perfect for contractors, distributors, and businesses, our reliable disconnect switch ensures safety and compliance while meeting the demands of air conditioning, HVAC systems, and more.

## FEATURES AND BENEFITS

- U065PPLT1: Pallet of 360 U065PP at bulk pricing
- U065PP is an individually packaged version of U065P - ideal for easy distribution

### Rugged Durability

- NEMA 3R weatherproof construction
- G90 galvanized steel construction for superior corrosion protection
- Durable polyester powder coat finish resists chipping and fading

### User Safety

- Factory installed Cu/Al ground lug
- Pad-lockable provision to prevent unauthorized access

### Installation Ease

- Factory wired terminations save you time and money
- Convenient stay-open door



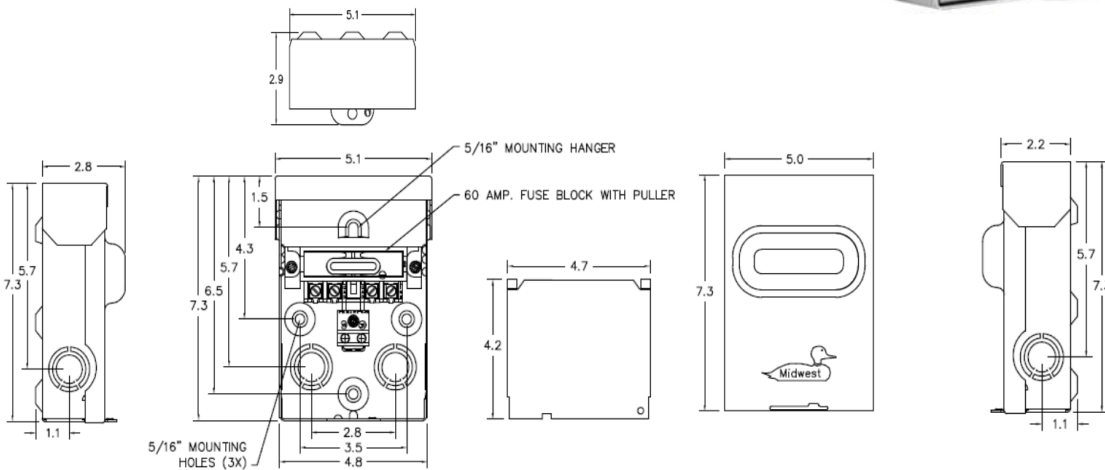
## TECHNICAL DATA

### U065PP, individual unit in pallet

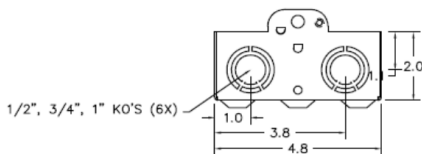
Mounting	Surface
AIC	10,000
Volts	240
Amps	60
Cabinet Size	5 x 7
Certification	UL/CUL
Unit Weight	3 lb/ea



### Enclosure Style and Dimensions



### Knockout Configurations



### Wire Range Table

Connector	Copper		Aluminum	
	Solid	Strand	Solid	Strand
Line	14-8	14-2	12-8	12-2
Load	14-8	14-2	12-8	12-2
Neutral	—	—	—	—
Equipment Ground	12-8	12-2	12-8	12-2

## Midwest Electric Products

Quality Weatherproof Electrical Equipment

305 Gregson Drive • Cary, NC 27511  
 Customer Service: 866.685.0577 • Fax: 804.965.1041

[midwestelectric.com](http://midwestelectric.com)

© 2026 Midwest Electric Products | MET052 Rev.C April 2026

Information provided is subject to change without notice. Please verify all details with Midwest Electric Products. All values are design or typical values when measured under laboratory conditions, and Midwest makes no warranty or guarantee, express or implied, that such performance will be obtained under end-use conditions.

