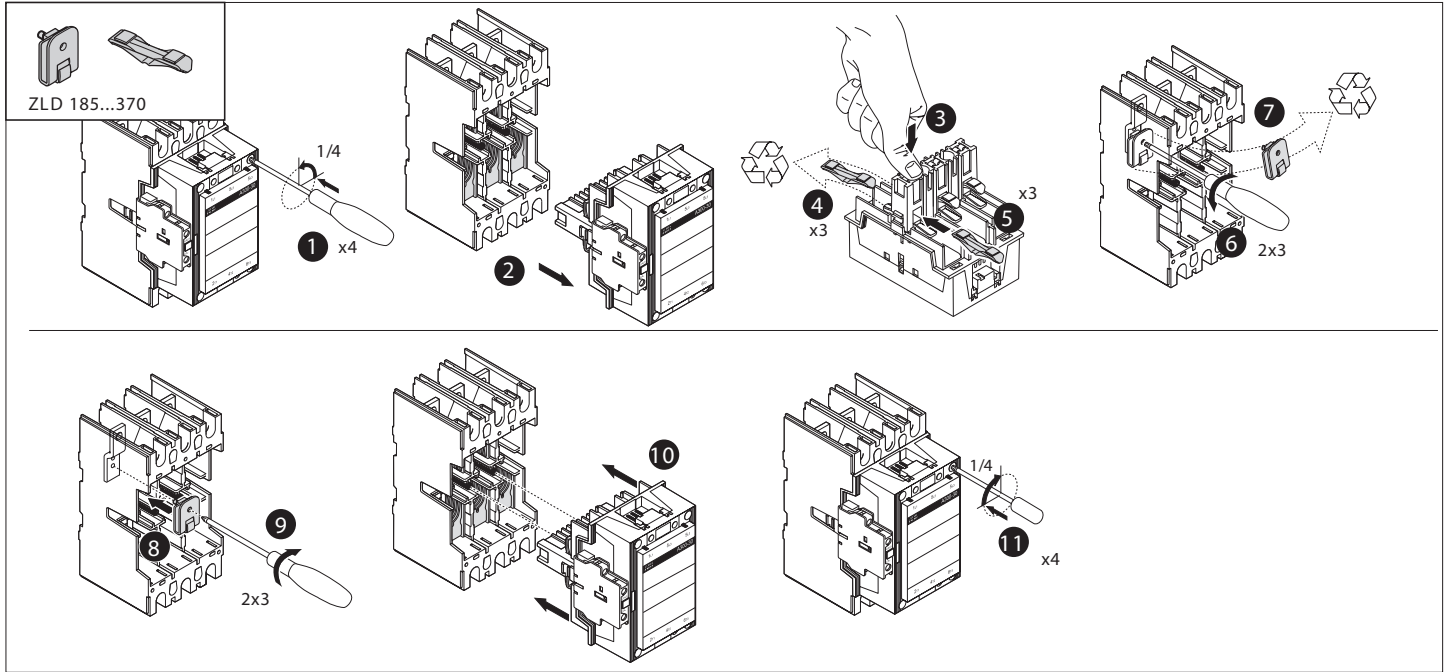


ZLD185, ZLD205, ZLD260, ZLD300, ZLD370

1SFC101034M0201, ed.B, March 2016

Contact set

Operating instructions



Warning! The operation, installation and servicing of this product must be carried out by a qualified electrician, following installation standards and safety regulations. Before operating the contactor, make sure that the control voltage supply corresponds with the coil marking. Wrong control voltage can damage the coil. Do not touch live parts. **Danger!**

ABB AB, Control Products
SE-721 61 Västerås, Sweden
Telephone +46 21 32 07 00
Telefax +46 21 12 60 01
www.abb.com/lowvoltage

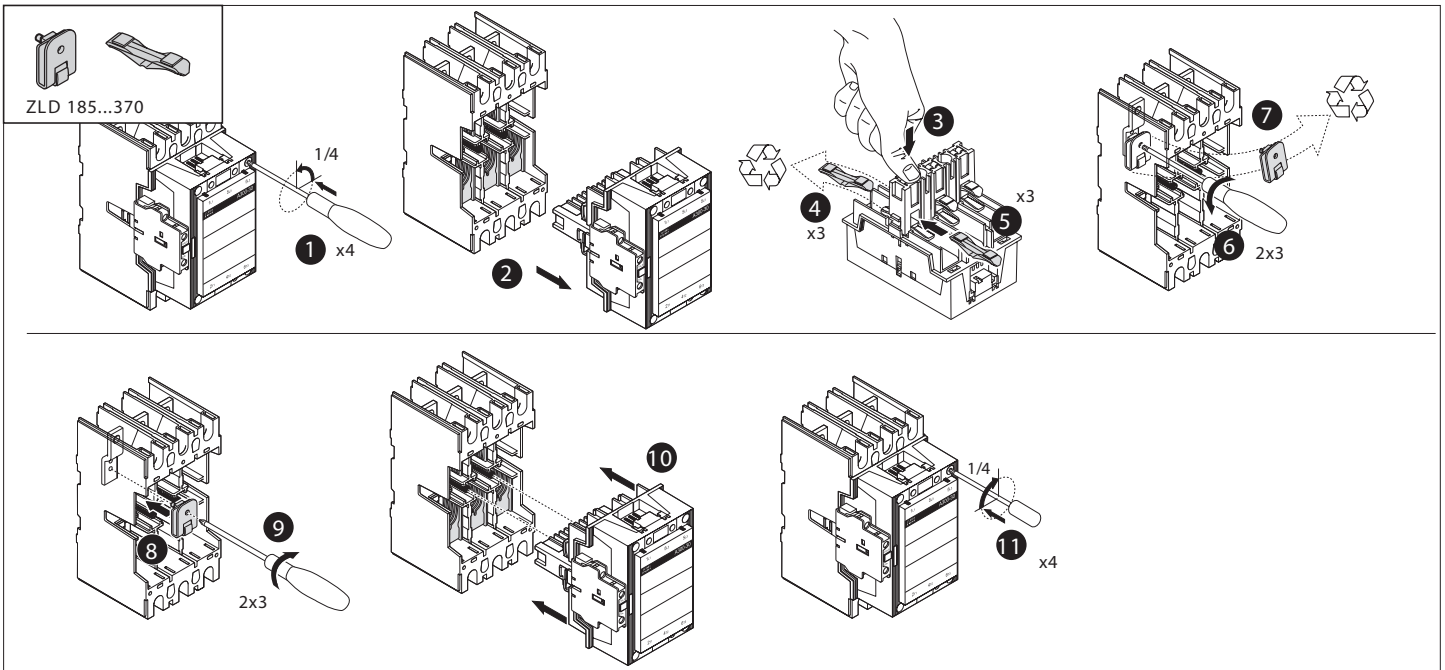


ZLD185, ZLD205, ZLD260, ZLD300, ZLD370

1SFC101034M0201, ed.B, March 2016

Contact set

Operating instructions



Warning! The operation, installation and servicing of this product must be carried out by a qualified electrician, following installation standards and safety regulations. Before operating the contactor, make sure that the control voltage supply corresponds with the coil marking. Wrong control voltage can damage the coil. Do not touch live parts. **Danger!**

ABB AB, Control Products
SE-721 61 Västerås, Sweden
Telephone +46 21 32 07 00
Telefax +46 21 12 60 01
www.abb.com/lowvoltage

