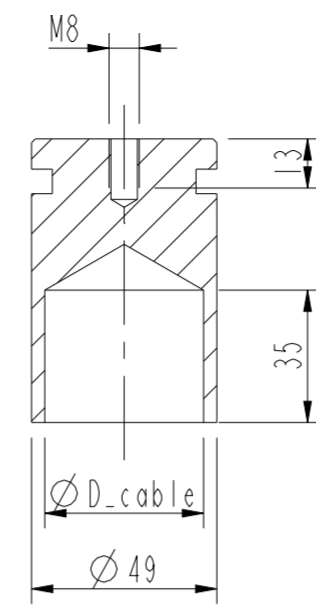
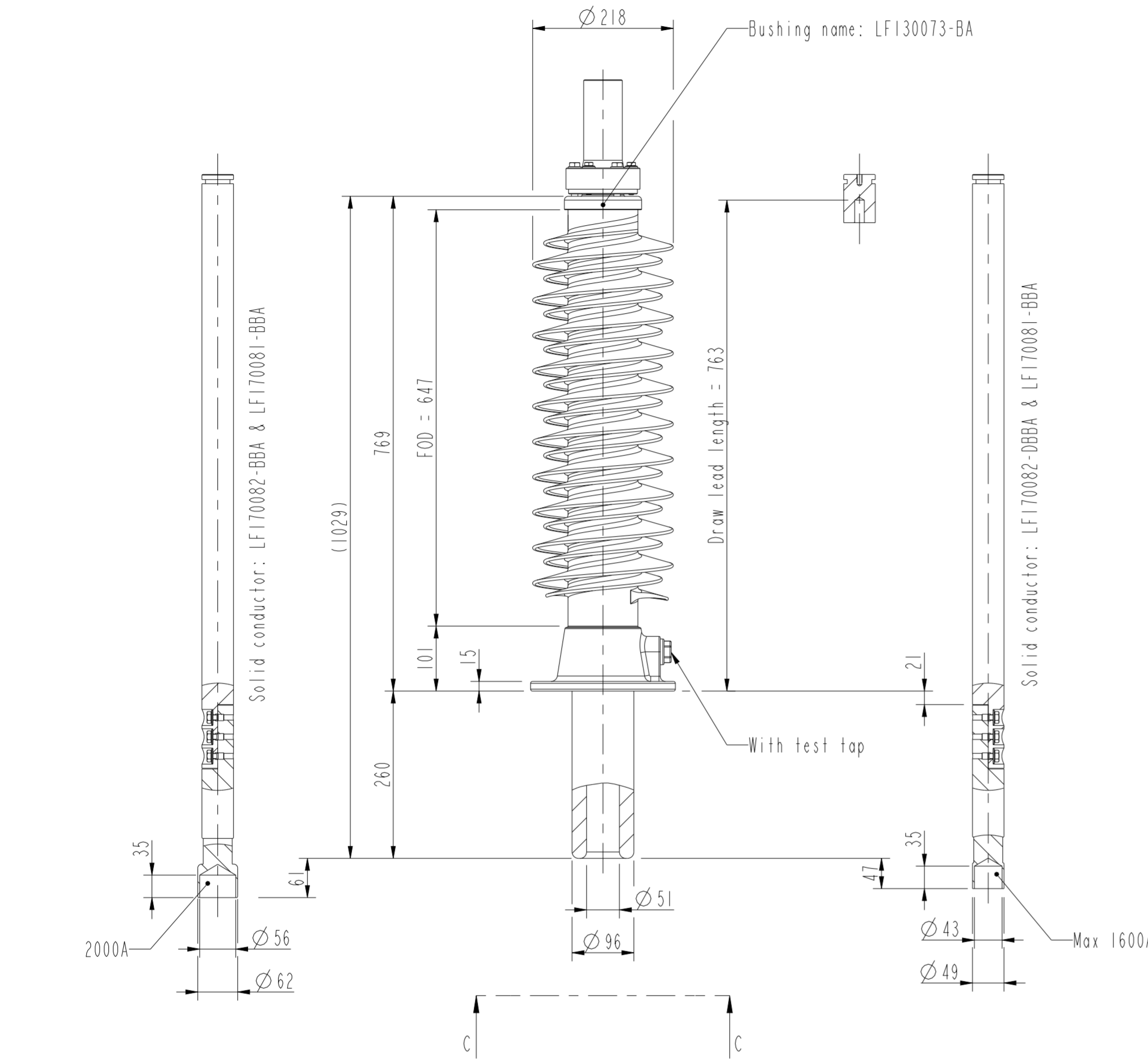
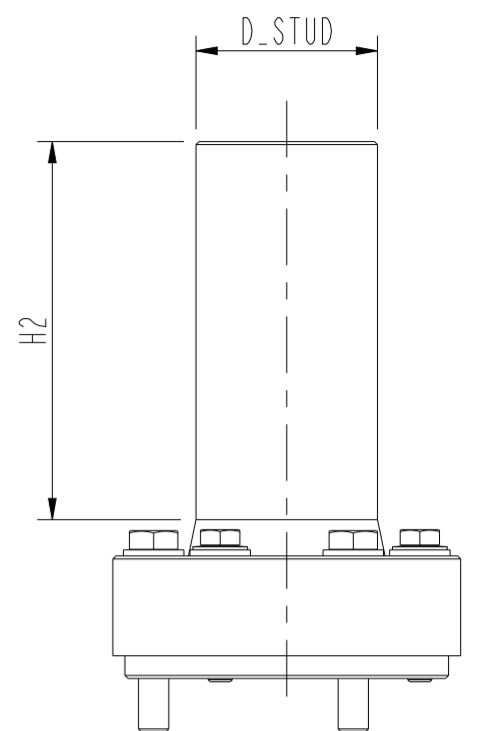


This document is issued by means of a computerized system. The digitally stored original is electronically approved. The approved document has a date entered in the "Approved"-field. A manual signature is not required.

Revision: J Dimension updated.



Outer terminal				
Catalog No	MATERIAL	MASS	H2	D_STUD
LF170079-A	Al	2,3	125	60
LF170079-B	Al	1,5	125	30
LF170079-C	Cu	6,1	125	60
LF170079-D	Cu	3,5	125	30
LF170079-E	Cu/Sn	6,1	125	60
LF170079-F	Cu/Sn	3,5	125	30
LF170079-G	Cu/Ag	6,1	125	60
LF170079-H	Cu/Ag	3,5	125	30
LF170079-AD	Cu/Ag	3,7	80	40
LF170079-AE	Cu	3,7	80	40



Inner terminal	
Catalog No	D_CABLE
LF170080-A	5
LF170080-B	11
LF170080-C	13
LF170080-D	15
LF170080-E	18
LF170080-F	30
LF170080-G	42
LF170080-H	45

Solid conductor, upper	
Catalog No	MASS
LF170081-BBA	14,5

Solid conductor, lower	
Catalog No	MASS
LF170082-BBA	3,7
LF170082-DBBA	3,3

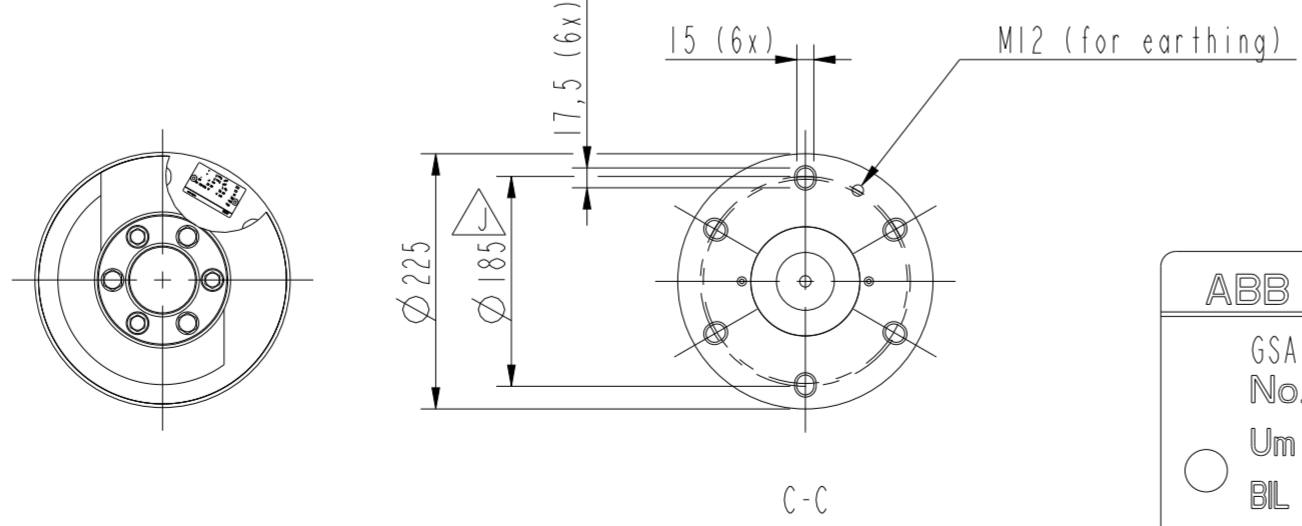
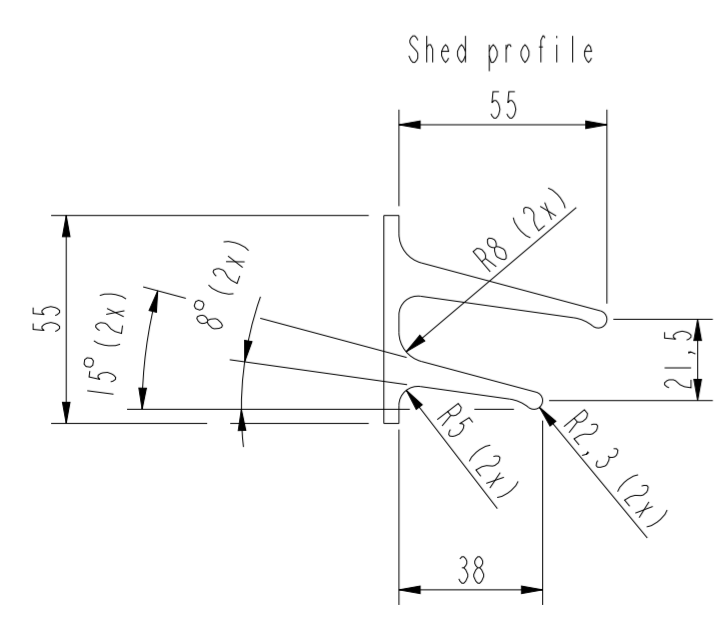


ABB Ludvika, Sweden

GSA 73-OA 2000/0 LF130073-BA
No.
 Um 72.5 kV Ir2000 A 50/60 Hz
 BIL 350 kV SIL - kV AC 160 kV
 M 18 kg L 360 mm \sphericalangle 0-90°
 C1 pF Tan δ x
 C2 pF Tan δ x

ELECTRICAL DATA acc. to IEC 60137			
Ratings	Rated voltage	72.5	kV
	Rated phase-to-earth voltage	42	kV
	Max. phase to earth voltage, temporary	72.5	kV
	Max. current with Cu-conductor	2000	A
	Max. current with stranded cable 740 mm ²	1250	A
	Dry lightning impulse	350	kV
Routine test	Wet power frequency	140	kV
	Dry power frequency	160	kV
Capacitance	Nominal capacitance	325	pF

GENERAL DATA			
Silicone rubber insulator	Creepage distance	2323	mm
	Protected creepage distance	1000	mm
	Color	Light gray	ANSI 70
Mass	Bushing	18	kg
Cantilever load	Cantilever test load, according to IEC 60137	4000	N
	Max. cantilever operating load, bushing	2000	N
Ambient air temperature		-50 to +40	°C
Mounting and service instructions		2750515-115	

ELECTRICAL DATA acc. to ANSI C57.19.00			
Ratings	Insulation class	69	kV
	Rated max. line to ground voltage	44	kV
	Max. current with Cu-conductor	2000	A
	Max. current with stranded cable 740 mm ²	1250	A

Dim. requirements acc. to C57.19.1 not fulfilled			
Approved 2020-03-26	Document Kind Outline Drawing	Based on doc.id	Work order id
Project id	Title, Supplementary title Dimension drawing GSA 73-OA 2000/0		
Company ABB Technology Ltd	Responsible Department Måttskiss GSA 73-OA 2000/0		
SEABB-9AAE300824	Document id 2751362-BBA	Status Released	Revision J
ABB		Iteration J	Sheet 1/1