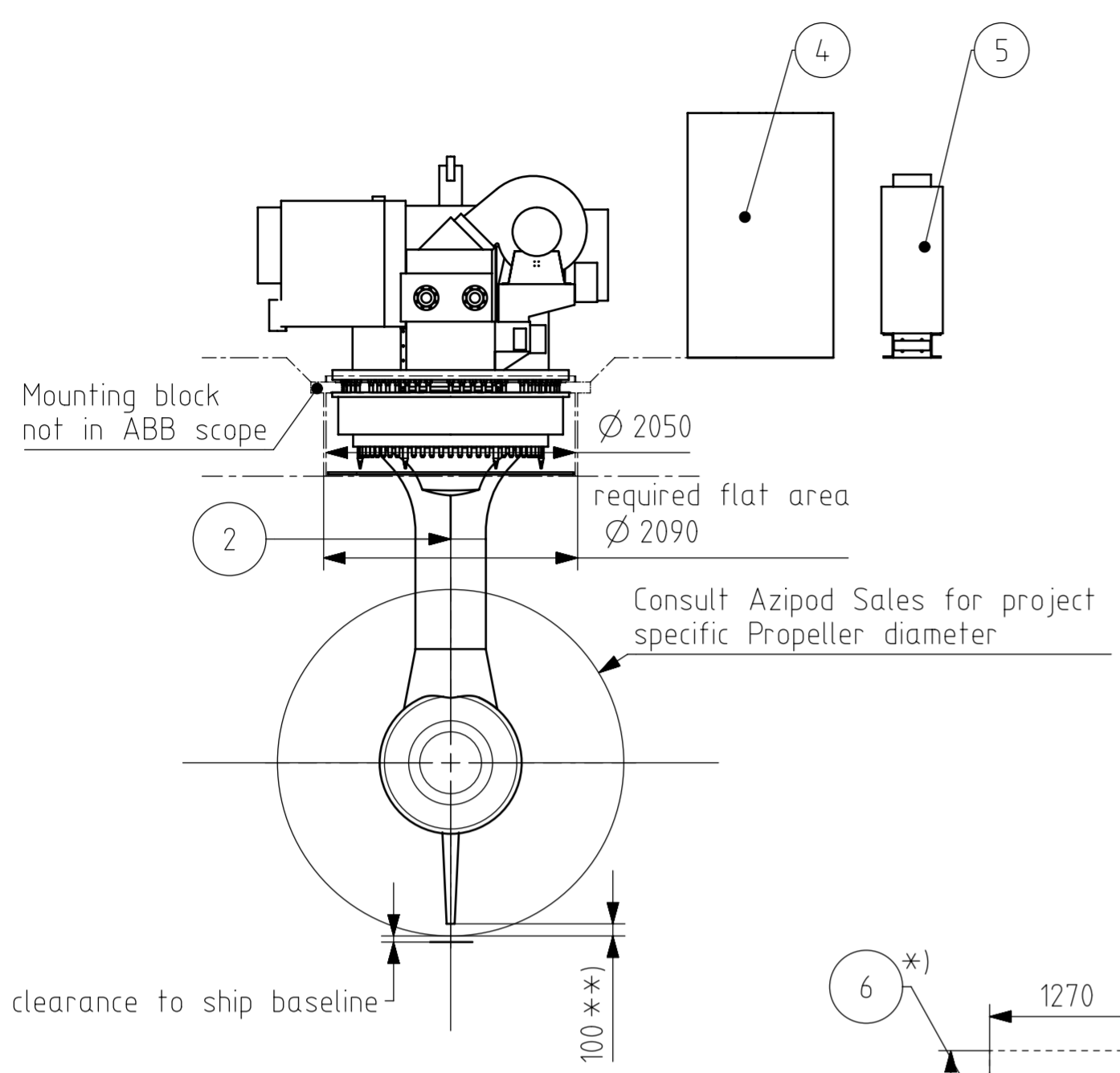
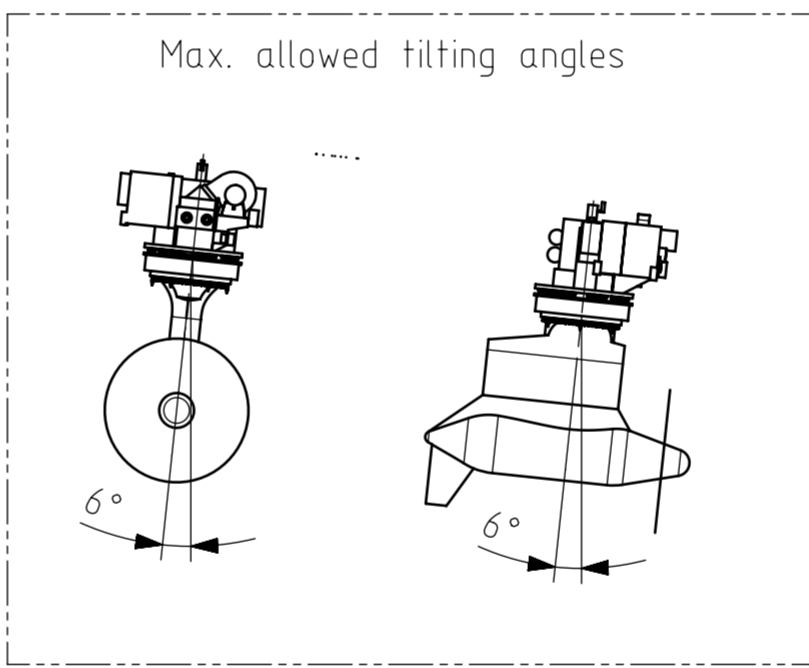
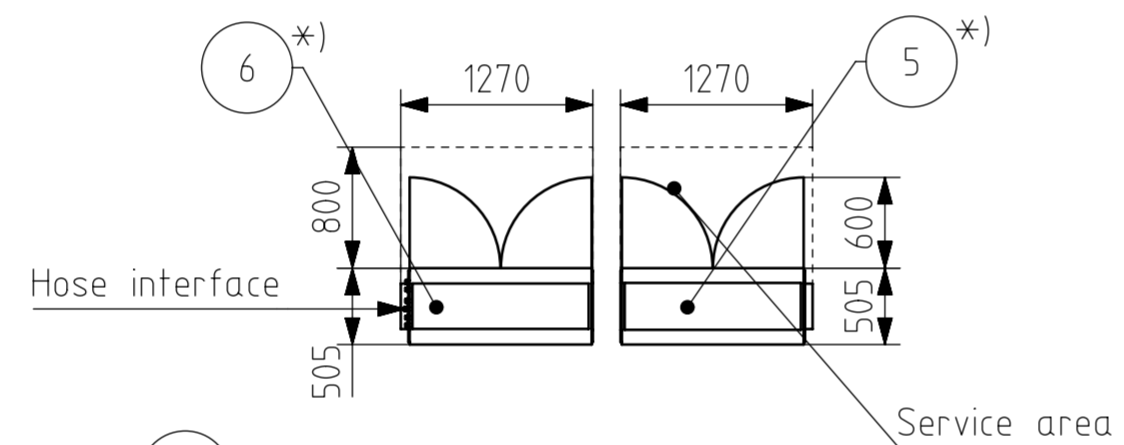
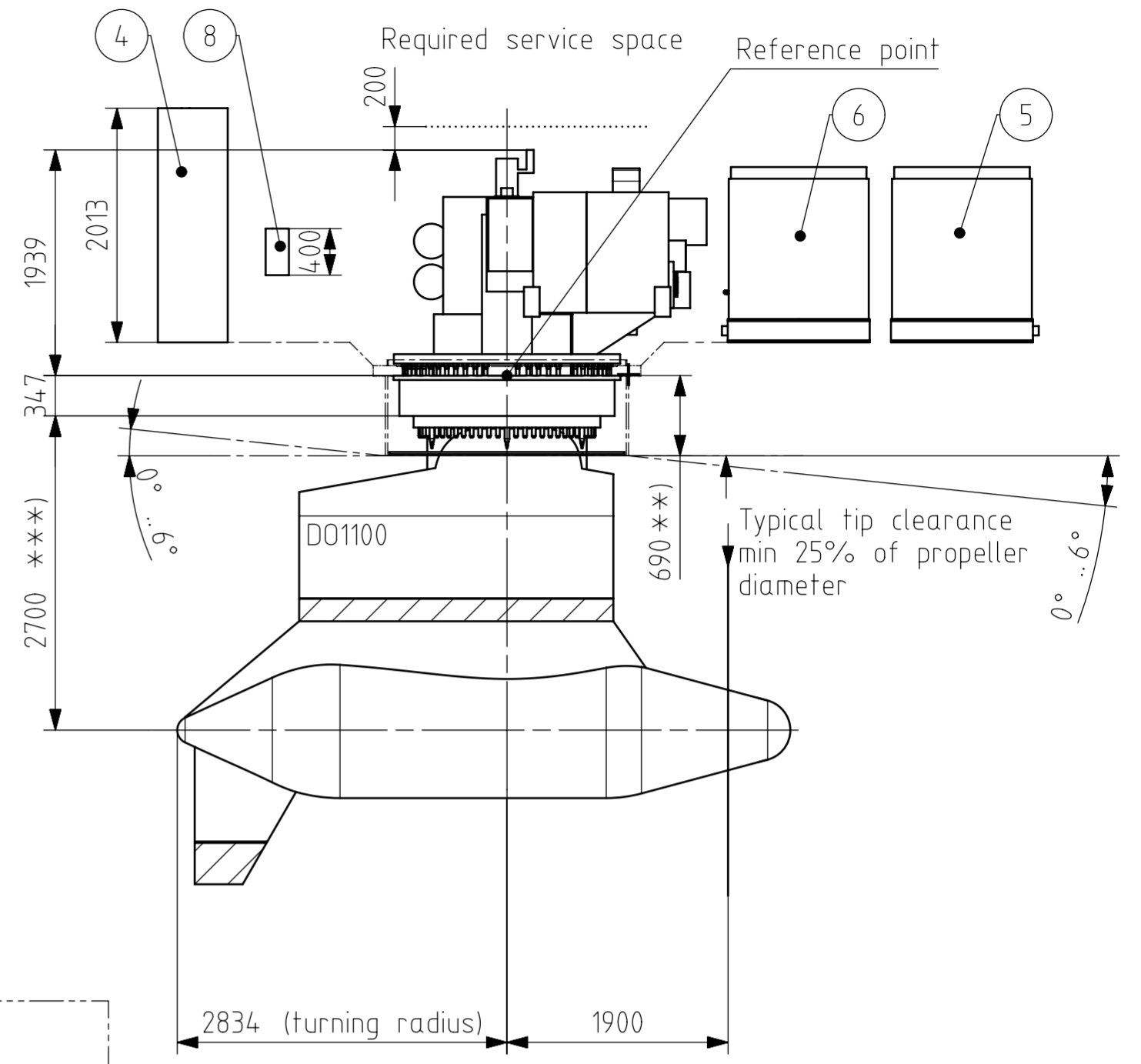
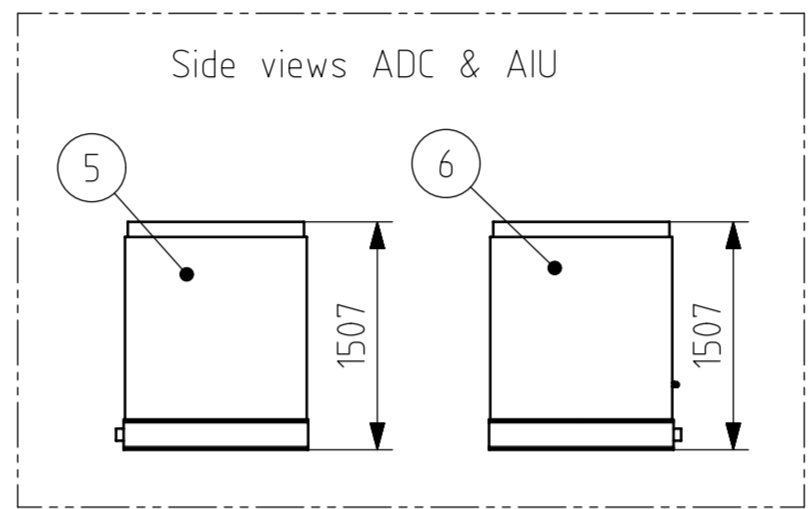


We reserve all rights in this document and in the information contained therein. Reproduction, use or disclosure of this document without express or implied permission of ABB is prohibited. In case of interpretation disputes the English text applies.
 Unless otherwise stated: General tolerances for welded constructions: EN ISO 9920-BF; EN ISO 9920-BF; EN ISO 9920-BF; EN ISO 9920-BF; Stamped steel parts DIN 6930-m; Thermal cut ISO 9013-331.
 Unless otherwise stated: General tolerances for castings: ISO 2768-mk; ISO 2768-mk; Symbols for roughness according to ISO 3302.

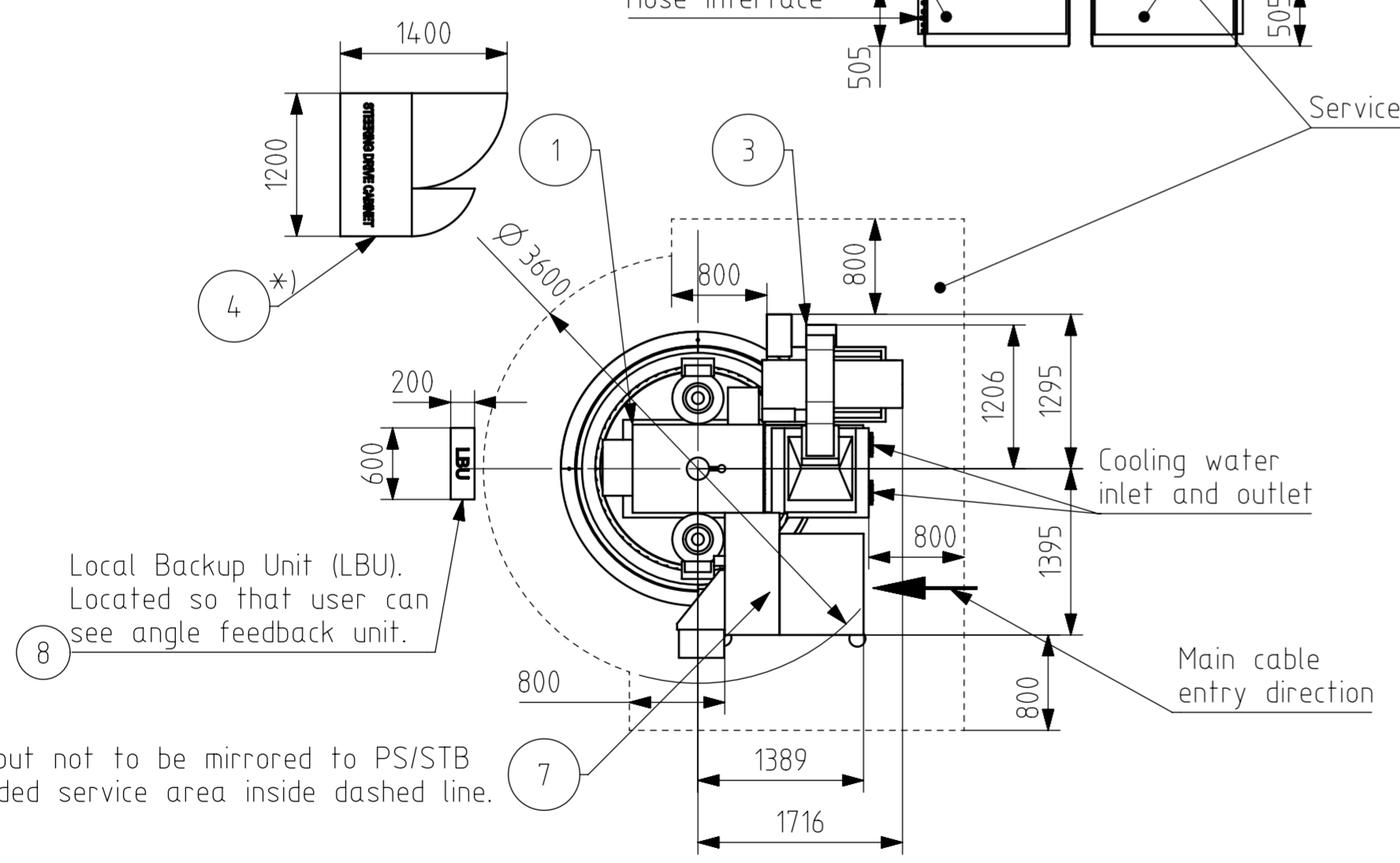


***) Consult Azipod Sales for other heights

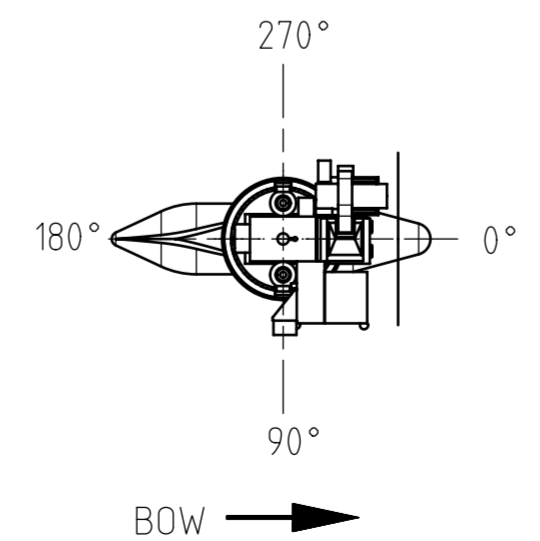
***) Available Strut heights:
2200mm
2700mm
Consult Azipod Sales for other heights



Number	Part	Weight [kg]
1	Steering module	7100
2	Propulsion module	26000
3	Cooling air unit (CAU)	840
4	Steering drive cabinet	500
5	Azipod interface unit (AIU)	440
6	Auxiliary device cabinet (ADC)	460
7	Junction box (JB1)	510
8	Local Backup Unit	30



Mounting angle for steering module and CAU can be selected freely in 90° steps. 0° is standard.



PRELIMINARY
Not to be used for construction.

Note! Layout not to be mirrored to PS/STB
Recommended service area inside dashed line.

*) AIU and steering drive cabinets can be located freely inside Azipod room.
ADC cabinet can be located freely inside Azipod room as long as it is horizontally less than 5m from steering module and Max. vertical distance from shaftline to ADC cabinet is less than 6m.

Created 2019-06-26	Partanen, Milla	Document kind 27	Title MAIN DIMENSIONS	Scale 1:50
Reviewed 2019-11-19	Railo, Ville-Pekka	Responsible department VAX		Language EN
Approved 2019-11-19	Ruyck, Kasper De.	Based on		Size A2
Security level Internal	Our reference	Weight kg	Machine Type AZIPOD D01100A-S1600	Revision A
ABB		Marine & Ports	Document id 3AFV3500846	Sheet 1/1