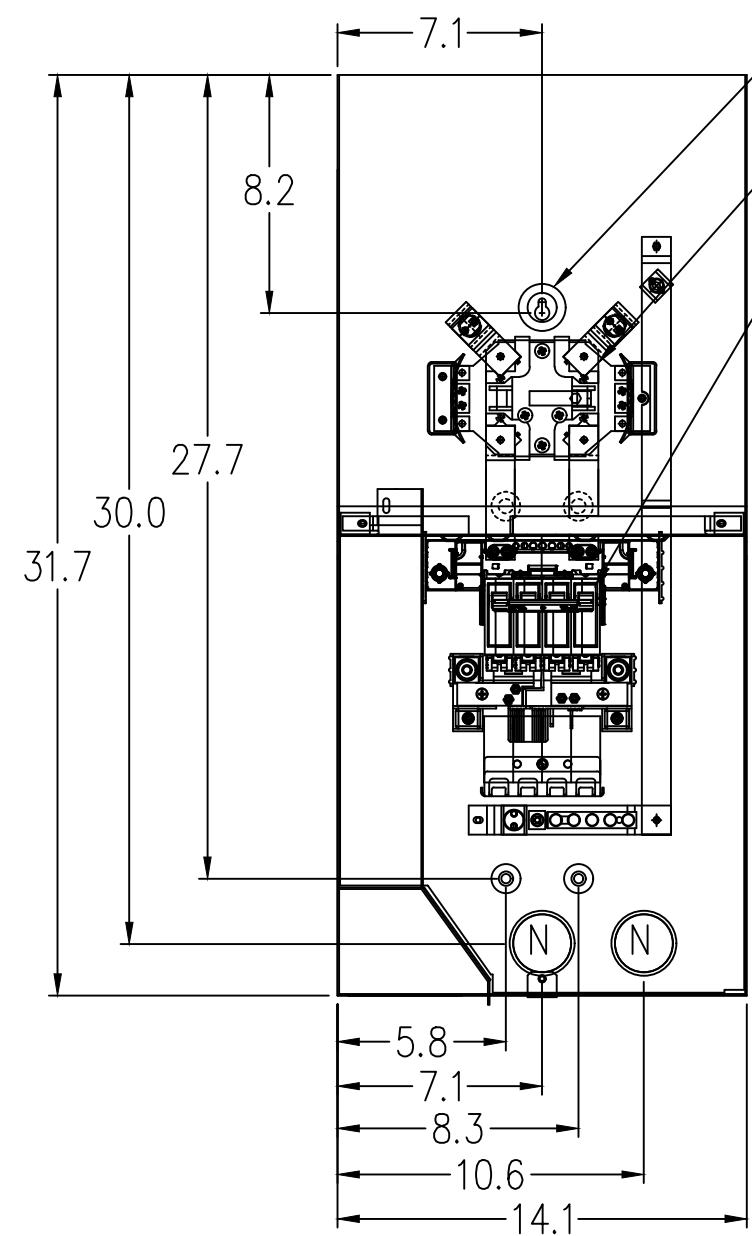
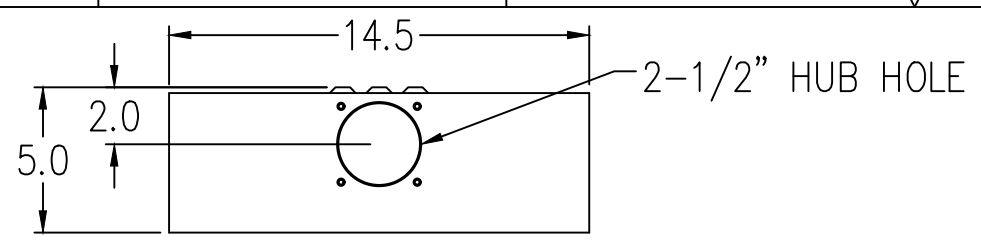
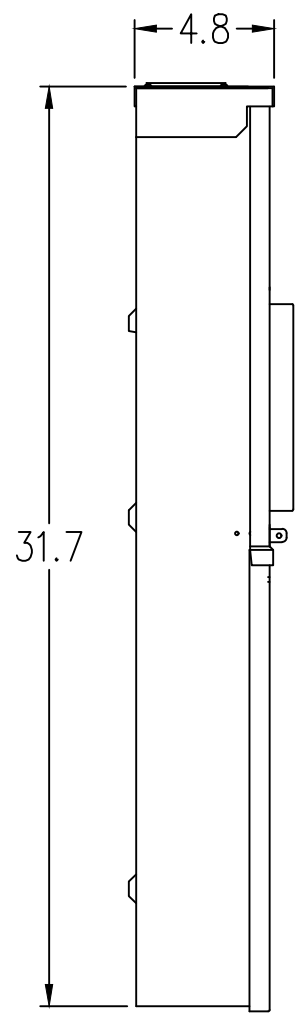
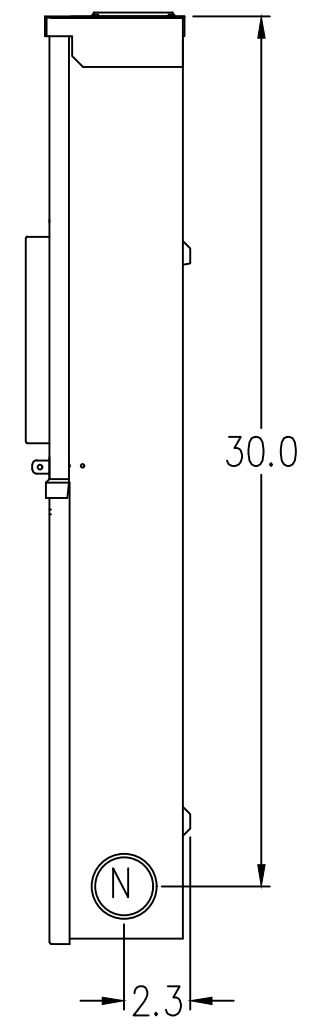
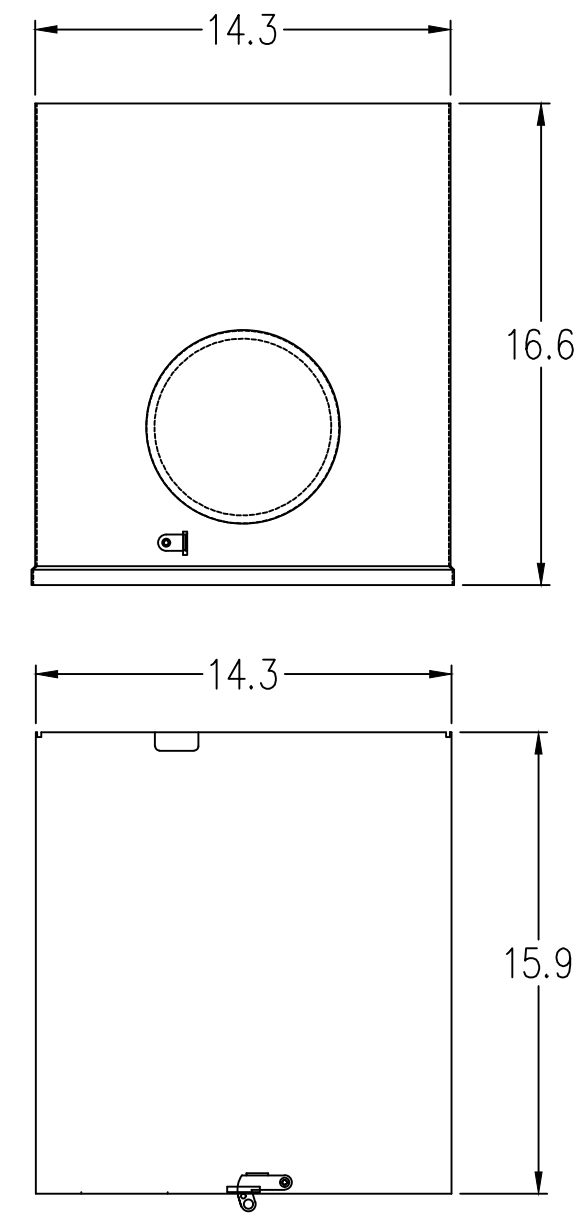
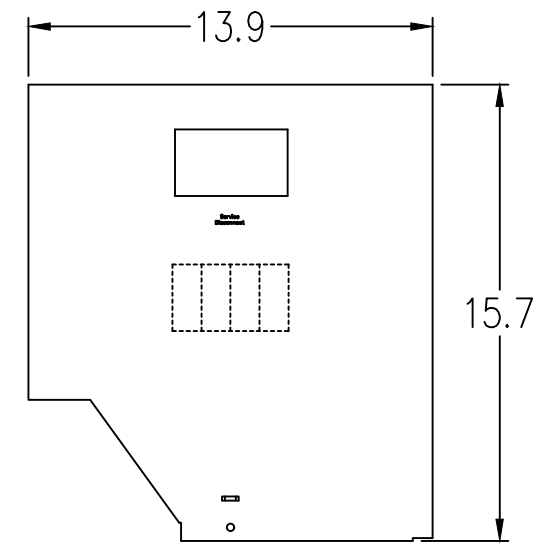


3D Model is the Master Document of this drawing. All dimensions must conform to the 3D Model. All dimensions are in inches unless otherwise specified. Processed Dimensioning & Tolerancing as per ASME Y14.5-2009

ABB PROPRIETARY AND CONFIDENTIAL INFORMATION  
The information contained in this document is to be kept strictly confidential. Any unauthorized disclosure of this information may result in legal action against the individual(s) responsible. Copyright 2017 ABB. All rights reserved.

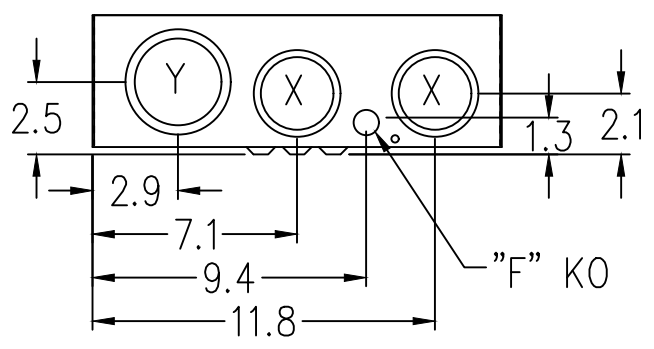


5/16" MOUNTING HANGER  
200AMP. RINGLESS METER SOCKET  
150AMP. PLUG-IN BREAKER-FOR TSMR415CSCUGP  
200AMP. PLUG-IN BREAKER-FOR TSMR420CSCUGP



WIRE RANGE TABLE:

CONNECTOR	COPPER		ALUMINUM	
	SOLID	STRAND	SOLID	STRAND
LINE METER SOCKET	-----	6-350	-----	6-350
LOAD BASE LUGS	-----	1-300	-----	2/0-300
NEUTRAL A	-----	6-350	-----	6-350
NEUTRAL/GRND. B	-----	14-2/0	-----	14-2/0
NEUTRAL/GRND. C	14-8	14-4	12-8	12-4
NEUTRAL/GRND. D	-----	1-300	-----	1-300



KNOCKOUT TABLE:

N= 1/2", 3/4", 1", 1-1/4", 1-1/2", 2" KO  
X= 1/2", 3/4", 1", 1-1/4", 1-1/2", 2", 2-1/2" KO  
F= 1/2" KO  
Y= 1-1/4", 1-1/2", 2", 2-1/2", 3" KO



CATALOG#	MODEL#
TSMR420CSCUGPP	M01
TSMR415CSCUGPP	M01
TSMR415CSCUGP	M01
TSMR420CSCUGP	M01

**ABB**

TITLE TSMR415CSCUGP/TSMR420CSCUGP

UNITS in	LOCAL TITLE	OUTLINE DRAWING	REV 3	RELEASE STATE Released
SIZE --	ROOT NUMBER 198B8636	PRODUCT LINE LOAD CENTER	SHEET 1 of 1	

