

14

13

12

11

CIRCUIT BREAKER TERMINAL LUG DATA			
CIRCUIT BREAKER CAT NO. PREFIX	AMPERE RATING	LUG TYPE	WIRE SIZE (AWG/KCMIL)
TEB, TED, THED	70-150	TCAL12A	(1) #6-2/0 CU (1) #4-2/0 AL
		TCAL15	(1) #3-3/0 CU (1) #1-3/0 AL
TQD, THQD	100-225	TCAL25	(1) #4-300 CU-AL
SED,SEH,SEL,SEP	30-150	TCAL18	(1) #12-3/0 CU/AL

FIELD INSTALLABLE NEUTRAL ASSEMBLY AND GROUND KIT			
CAT NO. PREFIX	TYPE	AMPERE RATING	WIRE SIZE (AWG\KCMIL)
TGL1	GND KIT	70-125 AMP	(4) #14-8 CU (4) #12-8 AL (3) #14-4 CU (3) #6-4 AL
TGL20	GND KIT	150-400 AMP	(1) #6-2/0 CU-AL
TNIA225	NEUTRAL ASM	225 AMP	(1) #1-300 CU-AL

CHART 2 KNOCKOUTS				
SYMBOLS	CONDUIT SIZE		DIAMETER	
	IN	MM	IN	MM
A	3	76	3 5/8	92
B	2 1/2	64	3	76
C	2	51	2 1/2	64
D	1 1/2	38	2	51
E	1	25	1 3/8	35
F	3/4	19	1 1/8	29
G	1/2	13	7/8	22
H	9/32	7	9/32	7

CHART 3 MYERS TYPE CONDUIT HUBS	
CAT NO	NOMINAL CONDUIT DIAMETER IN INCHES
343L647G1	1/4
343L647G2	3/8
343L647G3	1/2
343L647G4	3/4
343L647G5	1
343L647G6	1 1/4
343L647G7	1 1/2
343L647G8	2
343L647G9	2 1/2
343L647G10	3

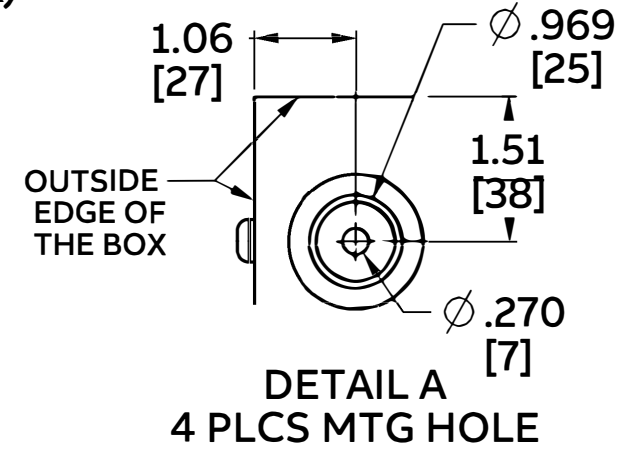
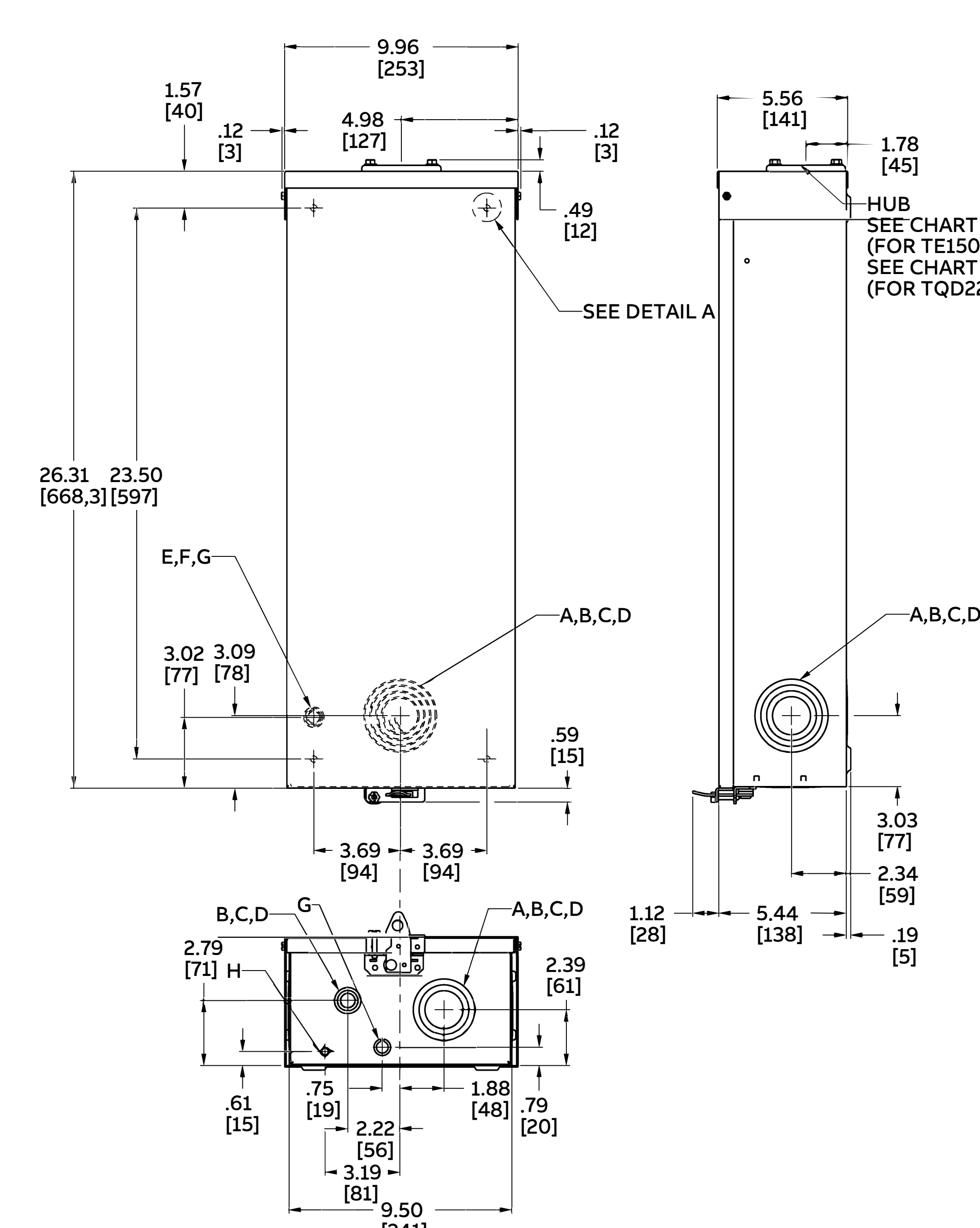


CHART 1		
CONDUIT	UNIVERSAL HUB	INTERCHANGEABLE RAINPROOF BOX HUB
	CAT. NO.	USE WITH CAT NO'S USING SUFFIX "R4"
3/4	TC75	-
1"	TC100	TC4DH
1 1/4	TC125	TC4EH
1 1/2	TC150	TC4GH
2	TC200	TC4HH
2 1/2	TC250	TC4WH
CLOSING CAP	TCCP	TC4WC

FOR USE WITH ABB TYPE BREAKER
TE TEB TED & THED (70-150A)
TQD THQD (225A)
SEDA, SEHA, SELA & SEPA (30-150A)



- NOTES:
1. MATERIAL: LOW CARBON STEEL
 2. FINISH: ELECTROCOAT ENAMEL, GRAY
 3. AGENCY APPROVAL: cULus LISTED -FILE E11592
 4. SUITABLE FOR USE AS SERVICE EQUIPMENT WHEN NEUTRAL ASSEMBLY IS INSTALLED
 5. THE SHORT CIRCUIT RATING OF THIS ENCLOSED CIRCUIT BREAKER IS EQUAL TO THE INTERRUPTING RATING, AT THE SUPPLY VOLTAGE MARKED ON THE CIRCUIT BREAKER INSTALLED
 6. FOR ALTERNATE LUGS CONSULT THE BUYLOG
 7. HUB MGT HOLES TO BE PROVIDED BY CUSTOMER

DUAL DIMENSIONS INCHES [MILLIMETERS]

THIRD ANGLE	SHEET#	DWG NO.	DATE	REV
	1 of 1	139C5498SH1	12-Apr-23	B

ABB

OUTLINE DRAWING - NEMA TYPE 3R ENCLOSURE
TE150R, TQD225R

14

13

12

11