

# Shut-off valves and accessories for pressure measuring instruments

## Non-replaceable seat and plug

### Application

- Shut-off valves for pressure measuring instruments are designed for the fluid and gaseous media. They are employed when testing or exchanging pressure measuring instruments during operation periods.
- Shut-off valves according to DIN 16270, DIN 16271 (with test connection) and DIN 16272 Shape B (with separately closable test connection) have a shank for measuring instrument mount.
- The valve version with test connection M 20 x 1,5 makes it possible to control the pressure measuring instrument.

**Technical data**

**Shut-off valve for pressure gauge PN 400, DN 4**

Design:

Shape B with shank for gauge mount

Measured substances:

Fluids, gases, vapors

Temperature ranges:  
 ≤ 120 °C (≤ 60 °C)<sup>1)</sup>

Pressure range:  
 ≤ 400 bar

Non-greased version for oxygen measurement  
 blue-colored marking, extra fed oxygen O<sub>2</sub>  
 (lubricated with Oxigenoex)

**Material composition**

Material	Material No.	Material No.	Material No. <sup>1)</sup>
Valve housing	1.0460	1.4571	1.4571
Nipple	St-37	1.4571	1.4571
Rotatable bushing	St	Stainless steel	High-grade Steel
Valve spindle	1.4104	1.4571	1.4571
Valve cone	1.4104	1.4571	1.4571
Packing	PTFE	PTFE	PTFE
Cap ring	PTFE-Carbon	PTFE-Carbon	pure graphite
Compression gland	St	Stainless steel	Stainless steel
Cap	St	Stainless steel	Stainless steel
Unsoldered fitting	St	1.4571	1.4571
Bleed screw	1.4571	1.4571	1.4571
Manual wheel	plastic	plastic	plastic

<sup>1)</sup> Non-greased version, blue-colored marking  
 Version for oxygen O<sub>2</sub> (lubricated with Oxigenoex)

**Dimension diagrams** (dimensions in mm)

**Shut-off valve to DIN 162 70**

Connections:

to pressure gauge: as in nipple connection to  
 DIN 16284-G1/2

to process: coupling nut to DIN EN 837-1-G1/2 B

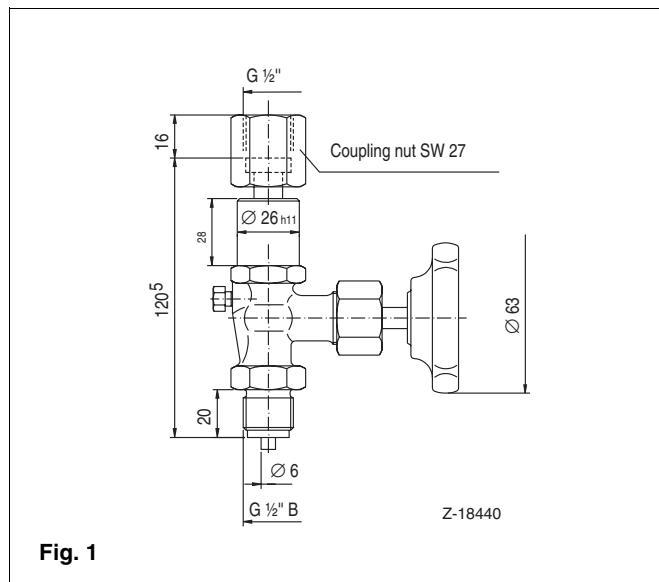


Fig. 1

**Shut-off valve to DIN 162 70**

Connections:

to pressure gauge: as in nipple connection to  
 DIN 16284-G1/2

to process: threaded cutting ring to DIN 2353. Stainless steel  
 for 12 mm pipe, S series

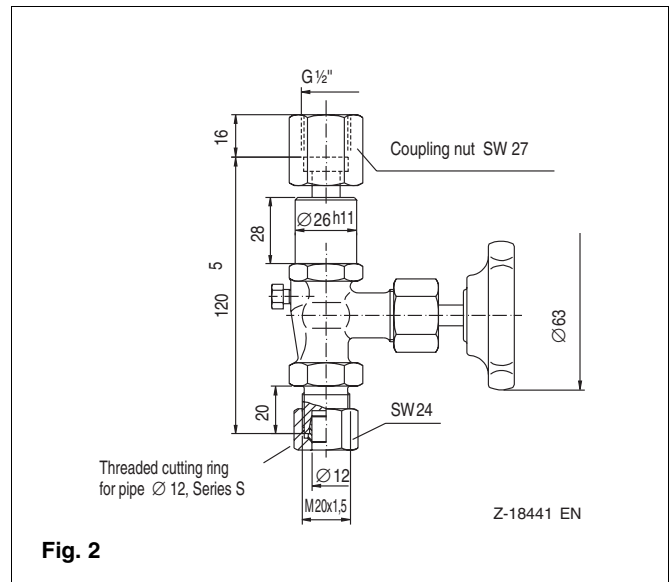


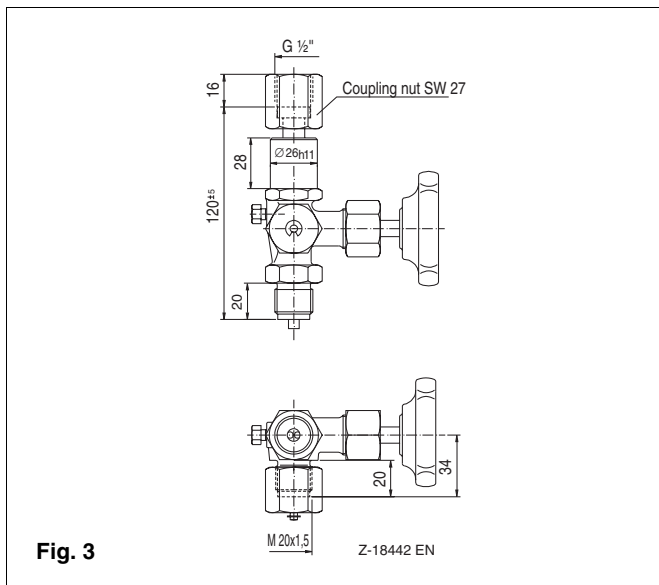
Fig. 2

**Dimension diagrams** (dimensions in mm)

**Shut-off valve to DIN 16271**

Connections:

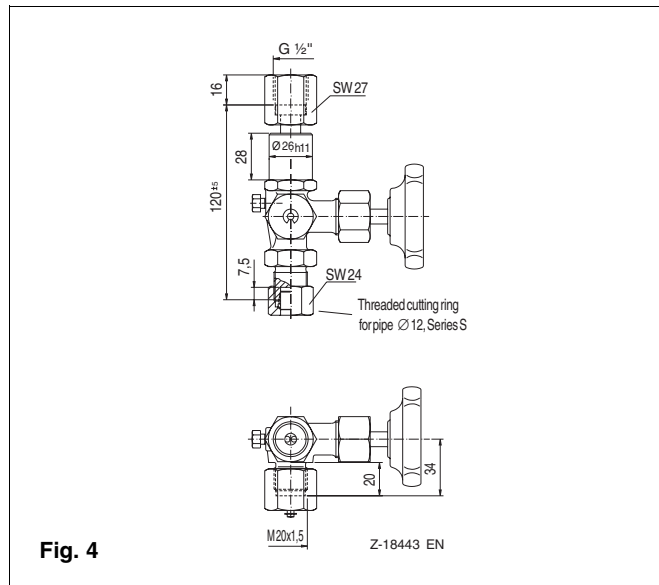
- to pressure gauge: as in nipple connection to DIN 16284-G1/2
- to process: connection nut to DIN EN 837-1-G1/2 B
- test connection: coupling nut M 20 x 1,5



**Shut-off valve to DIN 16271**

Connections:

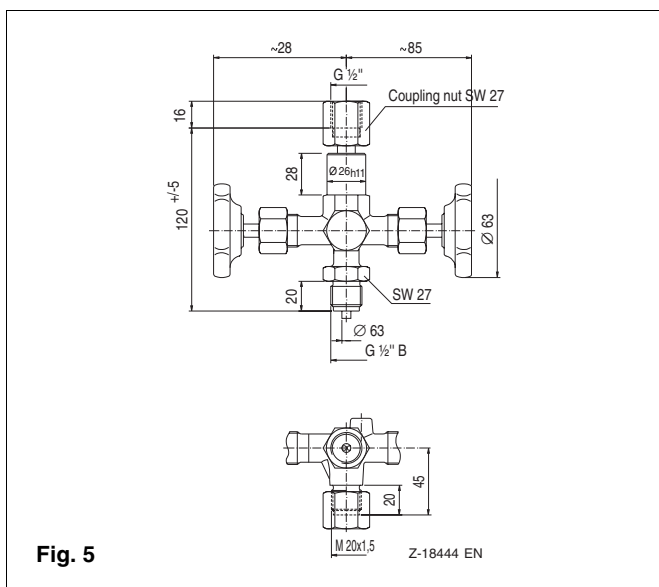
- to pressure gauge: as in nipple connection to DIN 16284-G1/2
- to process: threaded cutting ring to DIN 2353, for 12 mm pipe, S series
- test connection: coupling nut M 20 x 1,5



**Shut-off valve to DIN 16272**

Connections:

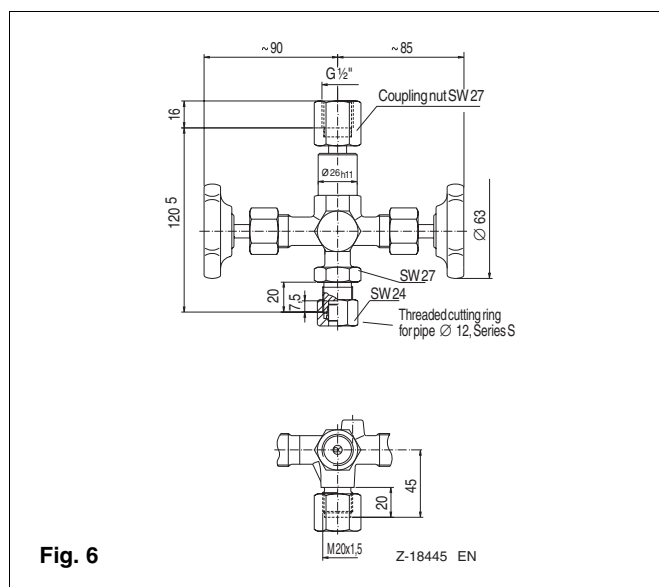
- to pressure gauge: as in nipple connection to DIN 16284-G1/2
- to process: connection nut to DIN EN 837-1-G1/2 B
- test connection: coupling nut M 20 x 1,5



**Shut-off valve to DIN 16272**

Connections:

- to pressure gauge: as in nipple connection to DIN 16284-G1/2
- to process: threaded cutting ring to DIN 2353, for 12 mm pipe, S series
- test connection: coupling nut M 20 x 1,5

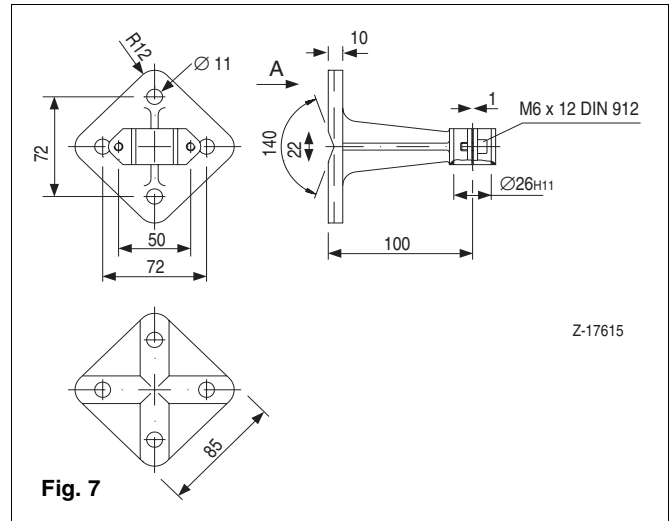


**Dimension diagrams** (dimensions in mm)

**Gauge mount to DIN 16281**

Shape A

For wall, pipe and rack mounting  
Material: malleable cast iron



Ordering information							
	Figure	Housing material	kg	Catalog No.	Code		
Shut-off valve DIN 16270 shape B	1	1.0460	0,8	14910-0890772 <sup>3)</sup>			
Shut-off valve DIN 16270 shape B	1	1.4571	0,8	14910-0890773 <sup>3)</sup>			
Shut-off valve DIN 16270 shape B	1	1.4571 <sup>1)</sup>	0,8	14910-0890774 <sup>2)</sup>			
Shut-off valve DIN 16270 shape B-AS 12	2	1.0460	0,8	14910-0839948 <sup>2)</sup>			
Shut-off valve DIN 16270 shape B-AS 12	2	1.4571	0,8	14910-0839949 <sup>2)</sup>			
Shut-off valve DIN 16270 shape B-AS 12	2	1.4571 <sup>1)</sup>	0,8	14910-0839950 <sup>2)</sup>			
Shut-off valve DIN 16271 shape B	3	1.0460	1,1	14910-0890775 <sup>3)</sup>			
Shut-off valve DIN 16271 shape B	3	1.4571	1,1	14910-0890776 <sup>3)</sup>			
Shut-off valve DIN 16271 shape B	3	1.4571 <sup>1)</sup>	1,1	14910-0890777 <sup>2)</sup>			
Shut-off valve DIN 16271 shape B-AS 12	4	1.0460	1,1	14910-0839951 <sup>2)</sup>			
Shut-off valve DIN 16271 shape B-AS 12	4	1.4571	1,1	14910-0839952 <sup>2)</sup>			
Shut-off valve DIN 16271 shape B-AS 12	4	1.4571 <sup>1)</sup>	1,1	14910-0839953 <sup>2)</sup>			
Shut-off valve DIN 16272 shape B	5	1.0460	1,4	14910-0890778 <sup>3)</sup>			
Shut-off valve DIN 16272 shape B	5	1.4571	1,4	14910-0890779 <sup>3)</sup>			
Shut-off valve DIN 16272 shape B-AS 12	6	1.0460	1,4	14910-0839954 <sup>2)</sup>			
Shut-off valve DIN 16272 shape B-AS 12	6	1.4571	1,4	14910-0839955 <sup>2)</sup>			
Gauge mount, heavy-duty design	7		1,8	14939-0806788 <sup>3)</sup>			
Additional ordering information							
Acceptance test certificate EN 10204-3.1 B for ex-stock version but not for gauge mount				14999-07957512 <sup>4)</sup>			
Acceptance test certificate EN 10204-3.1 B for single orders				14999-07957513 <sup>4)</sup>			
PTFE tapered ring package for natural gas/helium					303 <sup>2)</sup>		

<sup>1)</sup> Non-greased version to oxygen measurement PN 400, max. 60 °C

<sup>2)</sup> Single orders

<sup>3)</sup> Ex-stock version

<sup>4)</sup> Give belonging to item No.







# Contact us

## **ABB Ltd.**

### **Process Automation**

Howard Road, St. Neots  
Cambridgeshire, PE19 8EU  
UK

Phone: +44 (0)1480 475321

Fax: +44 (0)1480 217948

## **ABB Inc.**

### **Process Automation**

125 E. County Line Road  
Warminster PA 18974  
USA

Phone: +1 215 674 6000

Fax: +1 215 674 7183

## **ABB Automation Products GmbH**

### **Process Automation**

Schillerstr. 72  
32425 Minden  
Germany

Phone: +49 551 905-534

Fax: +49 551 905-555

**[www.abb.com](http://www.abb.com)**

## Note

We reserve the right to make technical changes or modify the contents of this document without prior notice. With regard to purchase orders, the agreed particulars shall prevail. ABB does not accept any responsibility whatsoever for potential errors or possible lack of information in this document.

We reserve all rights in this document and in the subject matter and illustrations contained therein. Any reproduction, disclosure to third parties or utilization of its contents – in whole or in parts – is forbidden without prior written consent of ABB.

Copyright© 2011 ABB

All rights reserved

3KXP700002R1001

10/14-4.31-EN.01.2011