

Pressure Transmitters

265GS, 265AS, 265DS, 267JS, 269JS, 267CS, 269CS



Pressure Transmitters

265GS, 265AS, 265DS, 267JS, 269JS, 267CS, 269CS

Spare Parts List

SPL/265/7/9xS-EN

05.2008

For spare parts orders as well as requests for factory or on-site service, contact

ABB Automation GmbH

- Service Instruments -

Schillerstrasse 72

D - 32425 Minden

Tel.: +49 (0) 571 830 1364

Fax: +49 (0) 571 830 1744

E-Mail parts-repair-minden@de.abb.com

© Copyright 2008 by ABB Automation GmbH

Subject to change without notice

This document is protected by copyright. It assists the user with the safe and efficient operation of the device. The contents may not be copied or reproduced in whole or in excerpts without prior approval of the copyright holder.

1	Exploded views	4
1.1	Model 265DS / 267JS / 269JS / 267CS / 269CS.....	4
1.2	Model 265GS / 265AS.....	5
2	Ordering information	6
2.1	Measuring cell diff.-gauge model 265DS (without caps).....	6
2.2	Measuring cell model 265AS process connection AISI 316L ss / DIN EN837-1 G 1/2 B.....	7
2.3	Measuring cell model 265AS process connection AISI 316L ss / DIN EN837-1 G 1/2 B.....	8
2.4	Measuring cells model 265GS/265AS process connection AISI 316L ss / 1/2 - 14 NPT male.....	9
2.5	Measuring cell model 265GS process connection G 1/2" front bonded diaphragm.....	10
2.6	Measuring cells model 265GS/265AS AISI 316L ss / 1/2 - 14 NPT female.....	11
2.7	Model 265DS / 267JS / 269JS / 265GS / 265AS / 267CS / 269CS.....	12

1 Exploded views

1.1 Model 265DS / 267JS / 269JS / 267CS / 269CS

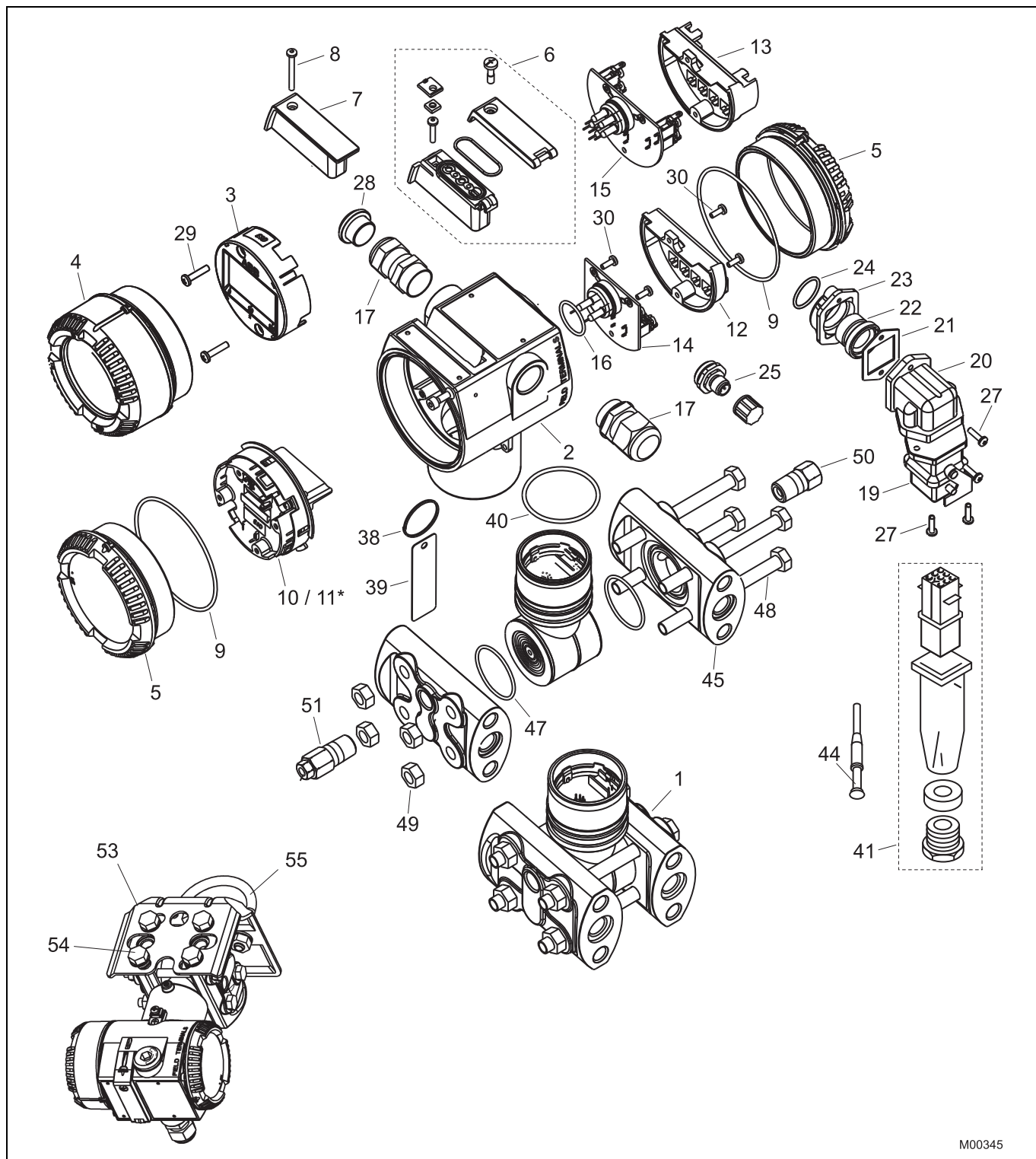
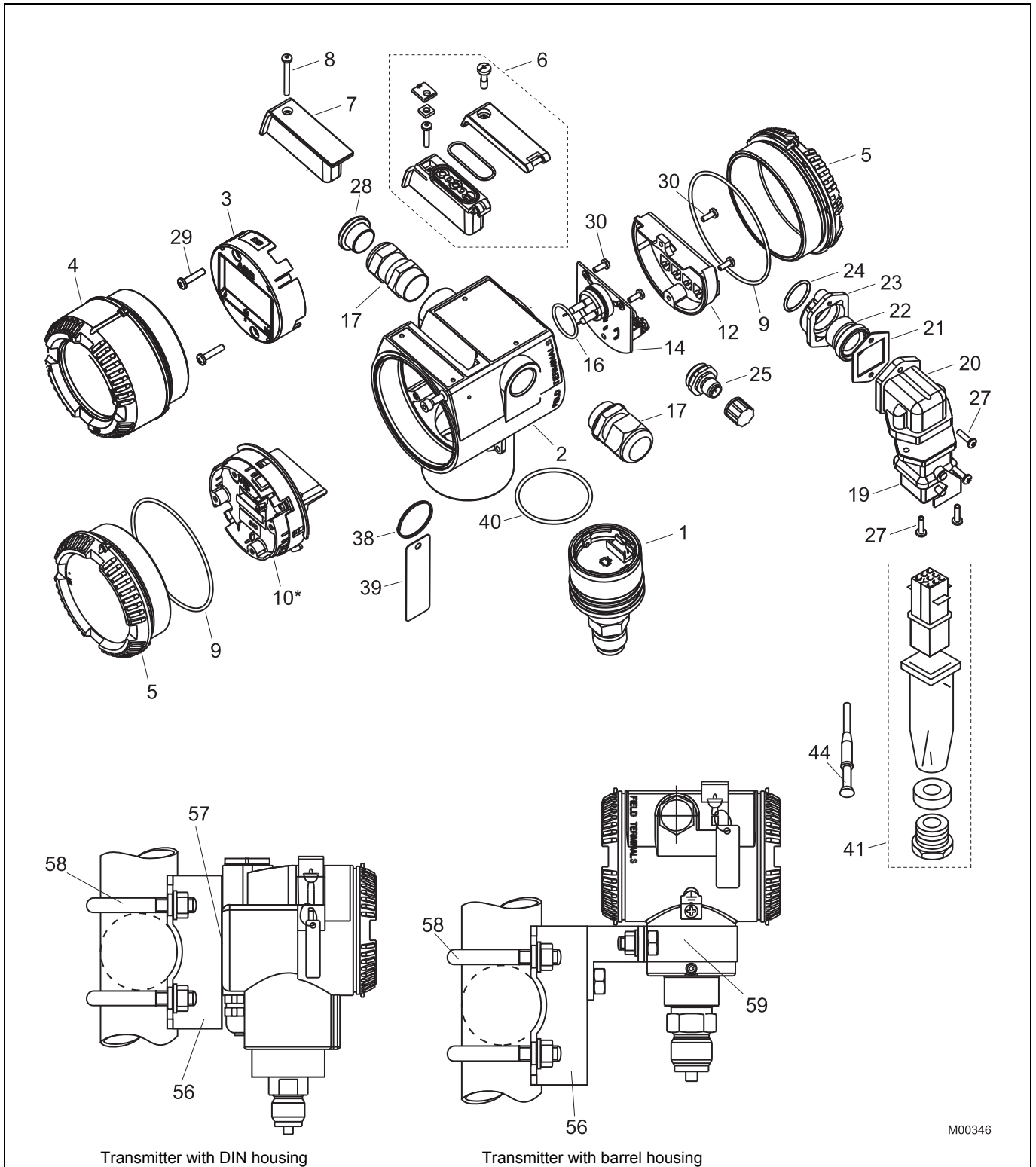


Fig. 1

* With screws

1.2 Model 265GS / 265AS



M00346

Fig. 2

* With screws

2 Ordering information

2.1 Measuring cell diff.-gauge model 265DS (without caps)

Pos.	Range	Diaphragm	Filling liquid	Order.-no.	EUR			
1	4 inch H ₂ O / 1 kPa / 10 mbar	Hastelloy C	Silicone oil	9763735				
	160 inch H ₂ O / 40 kPa / 400 mbar	Hastelloy C	Silicone oil	763586				
	1000 inch H ₂ O / 250 kPa / 2500 mbar	Hastelloy C	Silicone oil	763587				
	290 psi / 2000 kPa / 20 bar	Hastelloy C	Silicone oil	763588				
	1450 psi / 10000 kPa / 100 bar	Hastelloy C	Silicone oil	763621				
	4 inch H ₂ O / 1 kPa / 10 mbar	Hastelloy C	Fluor carbon	763719				
	24 inch H ₂ O / 6 kPa / 60 mbar	Hastelloy C	Fluor carbon	763603				
	160 inch H ₂ O / 40 kPa / 400 mbar	Hastelloy C	Fluor carbon	763604				
	1000 inch H ₂ O / 250 kPa / 2500 mbar	Hastelloy C	Fluor carbon	763605				
	290 psi / 2000 kPa / 20 bar	Hastelloy C	Fluor carbon	763606				
	1450 psi / 10000 kPa / 100 bar	Hastelloy C	Fluor carbon	763622				
	300 mmHg / 40 kPa abs / 400 mbar abs	Hastelloy C	Silicone oil	763599				
	1875 mmHg / 250 kPa abs / 2500 mbar abs	Hastelloy C	Silicone oil	763600				
	290 psia / 2000 kPa abs / 20 bar abs	Hastelloy C	Silicone oil	763601				

2.2 Measuring cell model 265AS process connection AISI 316L ss / DIN EN837-1 G 1/2 B

Pos.	Range	Diaphragm	Filling liquid	Gasket	Order.-no.		EUR
1	24 inch H ₂ O / 6 kPa / 60 mbar	Ceramic	none	Buna	763577		
	160 inch H ₂ O / 40 kPa / 400 mbar	Ceramic	none	Buna	763578		
	24 inch H ₂ O / 6 kPa / 60 mbar	Ceramic	none	Viton	763647		
	160 inch H ₂ O / 40 kPa / 400 mbar	Ceramic	none	Viton	763648		
	24 inch H ₂ O / 6 kPa / 60 mbar	Ceramic	none	Chemraz	763714		
	160 inch H ₂ O / 40 kPa / 400 mbar	Ceramic	none	Chemraz	763715		
	1000 inch H ₂ O / 250 kPa / 2500 mbar	Hastelloy C	Silicone oil	none	763559		
	145 psi / 1000 kPa / 10 bar	Hastelloy C	Silicone oil	none	763959		
	435 psi / 3000 kPa / 30 bar	Hastelloy C	Silicone oil	none	763560		
	1450 psi / 10000 kPa / 100 bar	Hastelloy C	Silicone oil	none	763561		
	8700 psi / 60000 kPa / 600 bar	Hastelloy C	Silicone oil	none	763562		
	1000 inch H ₂ O / 250 kPa / 2500 mbar	Hastelloy C	Fluor carbon	none	763625		
	145 psi / 1000 kPa / 10 bar	Hastelloy C	Fluor carbon	none	763961		
	435 psi / 3000 kPa / 30 bar	Hastelloy C	Fluor carbon	none	763626		
	1450 psi / 10000 kPa / 100 bar	Hastelloy C	Fluor carbon	none	763627		
	8700 psi / 60000 kPa / 600 bar	Hastelloy C	Fluor carbon	none	763628		
	1000 inch H ₂ O / 250 kPa / 2500 mbar	Hastelloy C	White oil	none	763980		
	435 psi / 3000 kPa / 30 bar	Hastelloy C	White oil	none	763936		
	1450 psi / 10000 kPa / 100 bar	Hastelloy C	White oil	none	763937		

2.3 Measuring cell model 265AS process connection AISI 316L ss / DIN EN837-1 G 1/2 B

Pos.	Range	Diaphragma	Filling liquid	Gasket	Order.-no.		EUR
1	45 mmHg / 6 kPa / 60 mbar abs	Ceramic	none	Buna	763659		
	300 mmHg / 40 kPa abs / 400 mbar abs	Ceramic	none	Buna	763660		
	45 mmHg / 6 kPa / 60 mbar abs	Ceramic	none	Viton	763649		
	300 mmHg / 40 kPa abs / 400 mbar abs	Ceramic	none	Viton	763650		
	45 mmHg / 6 kPa / 60 mbar abs	Ceramic	none	Chemraz	763716		
	300 mmHg / 40 kPa abs / 400 mbar abs	Ceramic	none	Chemraz	763717		
	1875 mmHg / 250 kPa abs / 2500 mbar abs	Hastelloy C	Silicone oil	none	763563		
	145 psia / 1000 kPa abs / 10 bar abs	Hastelloy C / Silicone oil	Silicone oil	none	763960		
	435 psia / 3000 kPa abs / 30 bar abs	Hastelloy C	Silicone oil	none	763564		

2.4 Measuring cells model 265GS/265AS process connection AISI 316L ss / 1/2 - 14 NPT male

Pos.	Range	Diaphragm	Filling liquid	Gasket	Order.-no.		EUR	
1	24 inch H ₂ O / 6 kPa / 60 mbar	Ceramic	none	Buna	763581			
	160 inch H ₂ O / 40 kPa / 400 mbar	Ceramic	none	Buna	763582			
	24 inch H ₂ O / 6 kPa / 60 mbar	Ceramic	none	Viton	763761			
	160 inch H ₂ O / 40 kPa / 400 mbar	Ceramic	none	Viton	763762			
	1000 inch H ₂ O / 250 kPa / 2500 mbar	Hastelloy C	Silicone oil	none	763571			
	145 psi / 1000 kPa / 10 bar	Hastelloy C	Silicone oil	none	763963			
	435 psi / 3000 kPa / 30 bar	Hastelloy C	Silicone oil	none	763572			
	1450 psi / 10000 kPa / 100 bar	Hastelloy C	Silicone oil	none	763573			
	8700 psi / 60000 kPa / 600 bar	Hastelloy C	Silicone oil	none	763574			
	1000 inch H ₂ O / 250 kPa / 2500 mbar	Hastelloy C	Fluor carbon	none	763747			
	435 psi / 3000 kPa / 30 bar	Hastelloy C	Fluor carbon	none	763748			
	1450 psi / 10000 kPa / 100 bar	Hastelloy C	Fluor carbon	none	763749			
	8700 psi / 60000 kPa / 600 bar	Hastelloy C	Fluor carbon	none	763750			
	45 mmHg / 6 kPa / 60 mbar abs	Ceramic	none	Buna	763739			
	300 mmHg / 40 kPa abs / 400 mbar abs	Ceramic	none	Buna	763740			
	1875 mmHg / 250 kPa abs / 2500 mbar abs	Hastelloy C	Silicone oil	none	763575			
	145 psia / 1000 kPa abs / 10 bar abs	Hastelloy C	Silicone oil	none	763964			
435 psia / 3000 kPa abs / 30 bar abs	Hastelloy C	Silicone oil	none	763576				

2.5 Measuring cell model 265GS process connection G 1/2" front bonded diaphragm

Pos.	Range	Diaphragm	Filling liquid	Gasket	Order.-no.		EUR
1	1000 inch H ₂ O / 250 kPa / 2500 mbar	AISI 316L ss	Silicone oil	none	763633		
	145 psi / 1000 kPa / 10 bar	AISI 316L ss	Silicone oil	none	763969		
	435 psi / 3000 kPa / 30 bar	AISI 316L ss	Silicone oil	none	763634		
	1450 psi / 10000 kPa / 100 bar	AISI 316L ss	Silicone oil	none	763635		
	8700 psi / 60000 kPa / 600 bar	AISI 316L ss	Silicone oil	none	763636		
	1000 inch H ₂ O / 250 kPa / 2500 mbar	AISI 316L ss	White oil	none	763760		
	435 psi / 3000 kPa / 30 bar	AISI 316L ss	White oil	none	763938		

2.6 Measuring cells model 265GS/265AS AISI 316L ss / 1/2 - 14 NPT female

Pos.	Range	Diaphragm	Filling liquid	Gasket	Order.-no.		EUR	
1	24 inch H ₂ O / 6 kPa / 60 mbar	Ceramic	none	Buna	763579			
	160 inch H ₂ O / 40 kPa / 400 mbar	Ceramic	none	Buna	763580			
	1000 inch H ₂ O / 250 kPa / 2,5 bar	Hastelloy C	Silicone oil	none	763565			
	145 psi / 1000 kPa / 10 bar	Hastelloy C	Silicone oil	none	763965			
	435 psi / 3000 kPa / 30 bar	Hastelloy C	Silicone oil	none	763566			
	1450 psi / 10000 kPa / 100 bar	Hastelloy C	Silicone oil	none	763567			
	8700 psi / 60000 kPa / 600 bar	Hastelloy C	Silicone oil	none	763568			
	1000 inch H ₂ O / 250 kPa / 2500 mbar	Hastelloy C	Fluor carbon	none	763743			
	435 psi / 3000 kPa / 30 bar	Hastelloy C	Fluor carbon	none	763744			
	1450 psi / 10000 kPa / 100 bar	Hastelloy C	Fluor carbon	none	763745			
	8700 psi / 60000 kPa / 600 bar	Hastelloy C	Fluor carbon	none	763746			
	45 mmHg / 6 kPa / 60 mbar abs	Ceramic	none	Buna	763737			
	300 mmHg / 40 kPa abs / 400 mbar abs	Ceramic	none	Buna	763738			
	1875 mmHg / 250 kPa abs / 2500 mbar abs	Hastelloy C	Silicone oil	none	763569			
	145 psia / 1000 kPa abs / 10 bar abs	Hastelloy C	Silicone oil	none	763966			
	435 psia / 3000 kPa abs / 30 bar abs	Hastelloy C	Silicone oil	none	763570			

2.7 Model 265DS / 267JS / 269JS / 265GS / 265AS / 267CS / 269CS

Pos.	Description	Order.-no.	EUR	
2	Housing made of Aluminium - Barrel-Type, for electrical connection 1/2-NPT	736597		
	Housing made of Aluminium - Barrel-Type, for electrical connection M20 x 1.5 and / or plug	736596		
	Housing made of stainless steel - Barrel-Type, for electrical connection 1/2-NPT	736565		
	Housing made of stainless steel - Barrel-Type, for electrical connection M20 x 1.5 and / or plug	736566		
	Housing made of Aluminium - DIN-Type, for electrical connection 1/2-NPT delta P	736606		
	Housing made of Aluminium - DIN-Type, for electrical connection M20 x 1.5 and / or plug delta P	736605		
	Housing made of Aluminium - DIN-Type, for electrical connection 1/2-NPT pressure	736608		
	Housing made of Aluminium - DIN-Type, for electrical connection M20 x 1.5 and / or plug	736607		
3	LCD indicator, not backlit (without fixing screws)	764607		
	LCD indicator, backlit (without fixing screws)	764910		
	LCD indicator, not backlit (with cap and fixing screws)	8159132		
	LCD indicator, backlit (with cap and fixing screws)	8159131		
4	Cover for LCD indicator made of Aluminium (Standard / "EEx i")	767817		
	Cover for LCD indicator made of stainless steel (Standard / "EEx i")	9287058		
	Cover for LCD indicator made of Aluminium ("EEx d")	9287084		
5	Cover made of Aluminium (also for transmitter without LCD display, Standard- / "EEx i")	736492		
	Cover made of stainless steel (also for transmitter without LCD display, Standard- / "EEx i")	736571		
6	Local keys	9287047		
7	Filling part (local keys)	420213		
8	Screw M3 x 30-Torx T10	9220150		
9	O-Ring 71.12 x 2.62 (149) - FPM70 (Viton) for cover (no. 4 / 5)	9220027		
10	Secondary electronics for 265 with 4 ... 20 mA / HART	9287187		
	Secondary electronics for 265 with PROFIBUS PA	9287189		
	Secondary electronics for 265 with FOUNDATION Fieldbus	9287191		

Pos.	Description	Order.-no.	EUR	
11	Secondary electronics for 267/269CS, 4 ... 20 mA / HART	9287188		
	Secondary electronics for 267/269CS, PROFIBUS PA	9287190		
	Secondary electronics for 267/269CS, FOUNDATION Fieldbus	9287192		
	Secondary electronics for 267/269CS, MODBUS RS 485	9280046		
	Secondary electronics for 267/269CS, MODBUS RS 232	9280073		
12	Cover for terminal board for 265	420164		
13	Cover for terminal board for 267/269CS	420210		
14	Terminal board for 265, 4 ... 20 mA / HART	9280027		
	Terminal board with overvoltage protection for 265, 4 ... 20 mA / HART	9280029		
	Terminal board for 265, PROFIBUS PA / FOUNDATION Fieldbus	9280030		
	Terminal board with overvoltage protection for 265, PROFIBUS PA / FOUNDATION Fieldbus	9280032		
15	Terminal board for 267/269CS, 4 ... 20 mA / HART	9280028		
	Terminal board for 267/269CS, PROFIBUS PA / FOUNDATION Fieldbus	9280031		
	Terminal board for 267/269CS, MODBUS RS 485 / 232	9280075		
16	O-Ring 20 x 2 - NBR70 (Perbunan) for terminal board (no. 14 / 15)	651614		
17	Cable gland M20 x 1,5 (colour: black), Standard and "EEx i", incl. sealing ring	9287119		
	EMC cable gland for transmitter with PROFIBUS PA / FOUNDATION Fieldbus (made of metal)	9287125		
19	Plug Han 8U (colour: grey) for transmitter with 4 ... 20 mA / HART	775837		
20	Cover for angle plug	482609		
21	Gasket	685101		
22	Hollow screw M20 x 1,5 (for plug connection to barrel housing)	284591		
23	Flange (for plug connection to barrel housing)	420247		

Pos.	Description	Order.-no.		EUR	
24	O-Ring 23 x 1.5 - NBR70, Perbunan (for plug connection to barrel housing)	9220209			
25	Plug M20 x 1.5 / M12 x 1 for PROFIBUS PA	9287148			
27	Screw M3 x 12-Torx T10	193337			
28	Screw plug M20 x 1.5 (colour: black)	9287118			
	Screw plug M20 x 1.5 made of stainless steel (for housing made of stainless steel)	9287143			
	Screw plug 1/2-NPT, made of Aluminium	284063			
	Screw plug 1/2-NPT made of stainless steel (for housing made of stainless steel)	284610			
29	Tapping screw 1-St 3.5 x 16-H-A2B (for LCD indicator)	9220157			
30	Screw M3 x 8-Torx T10	9220156			
38	Metallic ring 25 x 0.8 - 1.4310 for additional tag plate	609178			
39	Tag plate made of stainless steel, unlabelled	564349			
40	O-Ring 40.94 x 2.62 (130) - FPM70 (Viton)	9220026			
41	Accessory for plug HAN 8U, colour grey, (female connectors for crimping of cables 0.75 ... 1 mm ²)	789057			
44	Press out tool for crimped contacts	949813			

Pos.	Description		Order.-no.		EUR	
45	Flange with 7/16-UNF drilling, PN 6 ... PN 410	made of stainless steel	736752			
	Flange with 7/16-UNF drilling, PN 6 ... PN 410	made of Hastelloy C	736499			
	Flange with 7/16-UNF drilling, PN 6 ... PN 410	made of Monel	736500			
	Flange with PVDF inlay, PN 6...PN 10	made of stainless steel	9287070			
	Flange with 7/16-UNF drilling, PN 6 ... PN 410, with drillings for vents 1/4" NPT	made of stainless steel	736594			
	Flange with 7/16-UNF drilling, PN 6 ... PN 410, with drillings for vents 1/4" NPT	made of Hastelloy C	736504			
	Flange with 7/16-UNF drilling, PN 6 ... PN 410, with drillings for vents 1/4" NPT	made of Monel	736505			
	Flange with M10 drilling, PN 6 ... PN 160	made of stainless steel	736593			
	Flange with M10 drilling, PN 6 ... PN 160	made of Hastelloy C	736576			
	Flange with M10 drilling, PN 6 ... PN 160	made of Monel	736577			
	Flange with M10 drilling, PN 6 ... PN 160, with drillings for vents 1/4" NPT	made of stainless steel	736578			
	Flange with M10 drilling, PN 6 ... PN 160, with drillings for vents 1/4" NPT	made of Hastelloy C	736579			
	Flange with M10 drilling, PN 6 ... PN 160, with drillings for vents 1/4" NPT	made of Monel	736580			
	Flange with M12 drilling, PN 250 ... PN 410	made of stainless steel	736592			
Flange with M12 drilling, PN 250 ... PN 410, with drillings for vents 1/4" NPT	made of stainless steel	736582				

Pos.	Description	Order.-no.	EUR
46	Flange with 7/16 UNF drilling for LP side of absolute pressure transmitter 265VS, (without picture)	made of stainless steel 284559	
47	Flange O-Ring 33.05 x 1.78-NBR70 (Perbunan, black)	9220160	
	Flange O-Ring 33.05 x 1.78-FKM90 (Viton, green)	9220161	
	Flange O-Ring 33.05 x 1.78 (PTFE, white)	420235	
	Flange O-Ring 33.05 x 1.78-EPDM80	9220186	
48	Flange bolt DIN EN 24017-M8 x 90-A4-70 made of stainless steel	9220164	
49	Nut DIN EN24033-M8-A4-70 made of stainless steel	9220167	
50	Screw plug 1/4-18 NPT, 1.4571 (2 pieces)	767902	
	Screw plug 1/4-18 NPT, made of Hastelloy C (1 piece)	282768	
	Screw plug 1/4-18 NPT, made of Monel (1 piece)	282769	
51	Vent 1/4-18 NPT made of stainless steel (1 piece)	789499	
	Vent 1/4-18 NPT made of Hastelloy C (1 piece)	773585	
	Vent 1/4-18 NPT made of Monel (1 piece)	773586	
53	Bracket for wall mounting of differential pressure cells, made of stainless steel	9261066	
54	Fixing screws for bracket, 7/16 UNF, made of stainless steel, (4 pieces)	767893	
	Fixing screws for bracket, M10, made of stainless steel, (4 pieces)	767900	
	Fixing screws for bracket, M12, made of stainless steel, (4 pieces)	767901	
55	part for pipe mounting, incl. 2 nuts + 2 washers, made of stainless steel (differential pressure cells)	789517	
56	Bracket for wall mounting of pressure cells, made of stainless steel	564278	
57	Screws for fixing bracket to DIN housing, made of stainless steel (pressure cells)	767892	
58	2 parts for pipe mounting, 4 nuts + 4 washers, made of stainless steel (pressure cells)	767899	
59	Parts for fixing bracket to Barrel housing, made of stainless steel (pressure cells)	9287142	
	4 - Wire supplement, 24 V, 0 ... 20 mA	9287007	
	4 - Wire supplement, 230 V, 0 ... 20 mA	9287008	
	4 - Wire supplement, 24 V, 4 ... 20 mA	9287243	
	4 - Wire supplement, 230V, 4 ... 20 mA	9287244	

ABB has Sales & Customer Support expertise in over 100 countries worldwide.

www.abb.com/service

The Company's policy is one of continuous product improvement and the right is reserved to modify the information contained herein without notice.

Printed in the Fed. Rep. of Germany (05.2008)

© ABB 2008

3KXP200001R4701



ABB Automation GmbH

-Service-

Kallstadter Strasse 1, 68309 Mannheim, GERMANY

Tel: +49 180 5 222 580, Fax: +49 621 38193 129031

automation.service@de.abb.com

SPL/265/79xS-EN