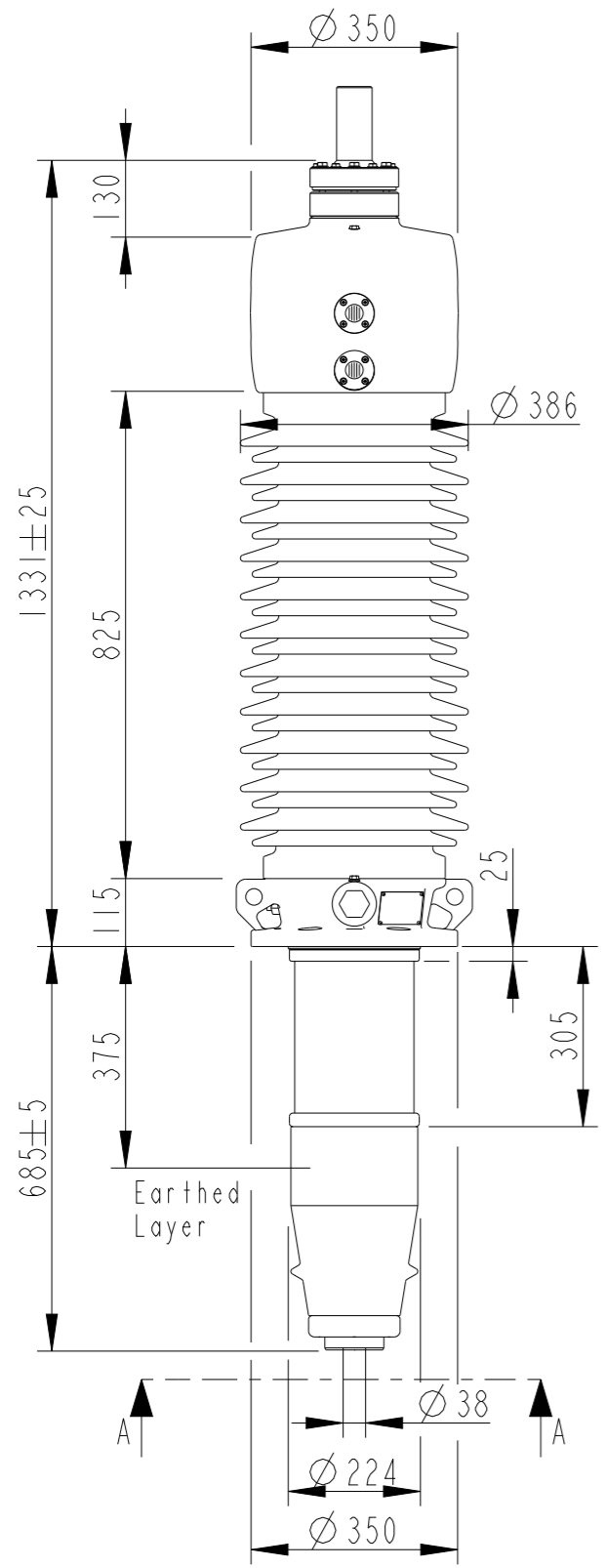


This document is issued by means of a computerized system. The digitally stored original is electronically approved. The approved document has a date entered in the "Approved"-field. A manual signature is not required.

The information contained in this document has to be kept strictly confidential. Any unauthorized use, reproduction, distribution or disclosure to third parties are strictly forbidden. ABB reserves all rights regarding Intellectual Property Rights. © Copyright 2013 ABB. All rights reserved.



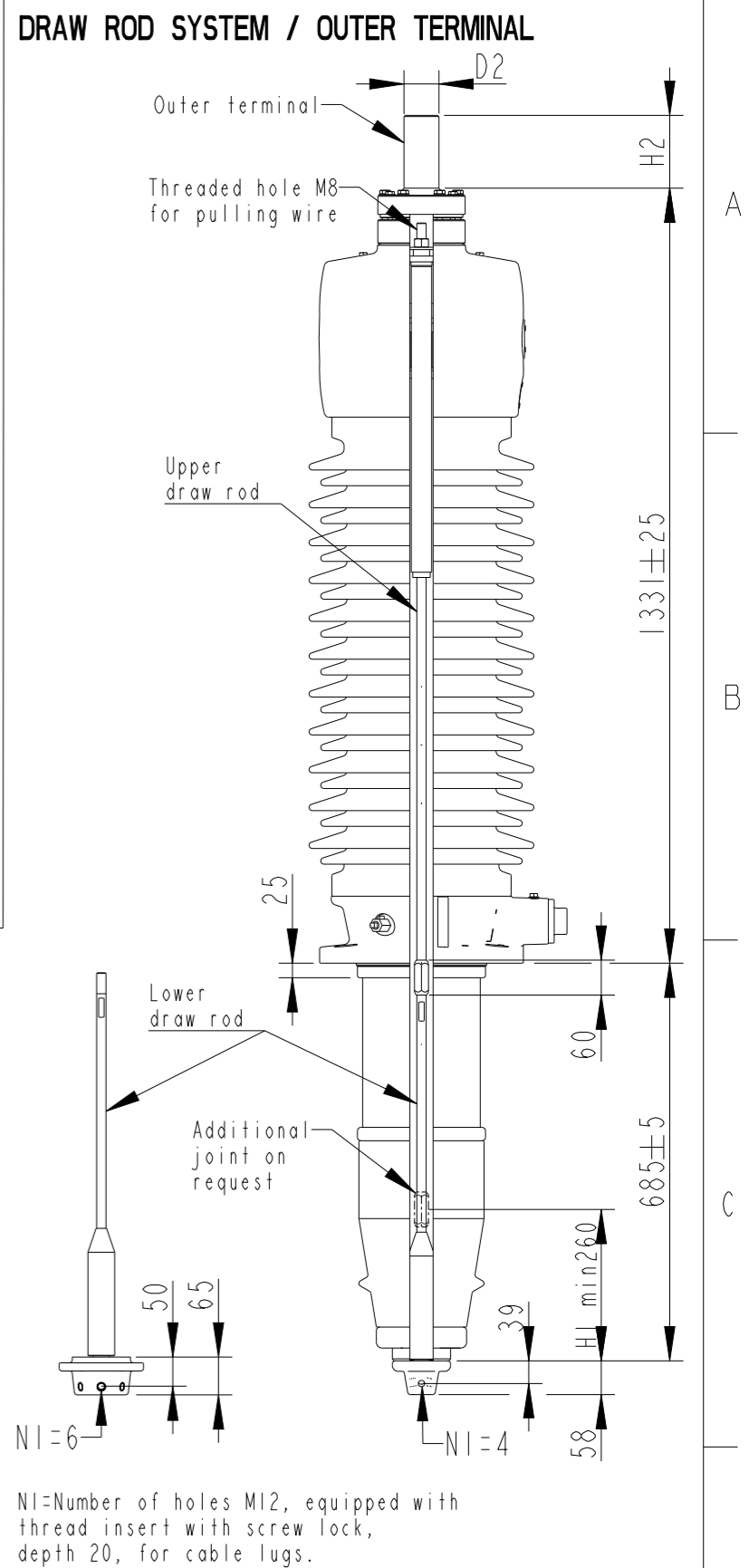
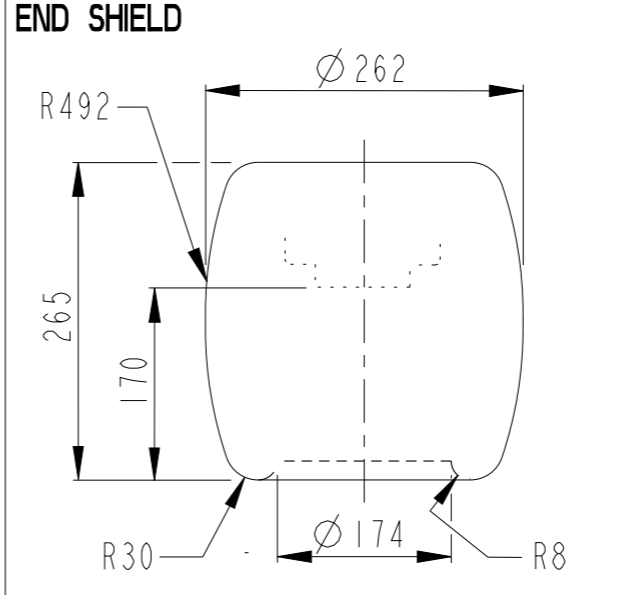
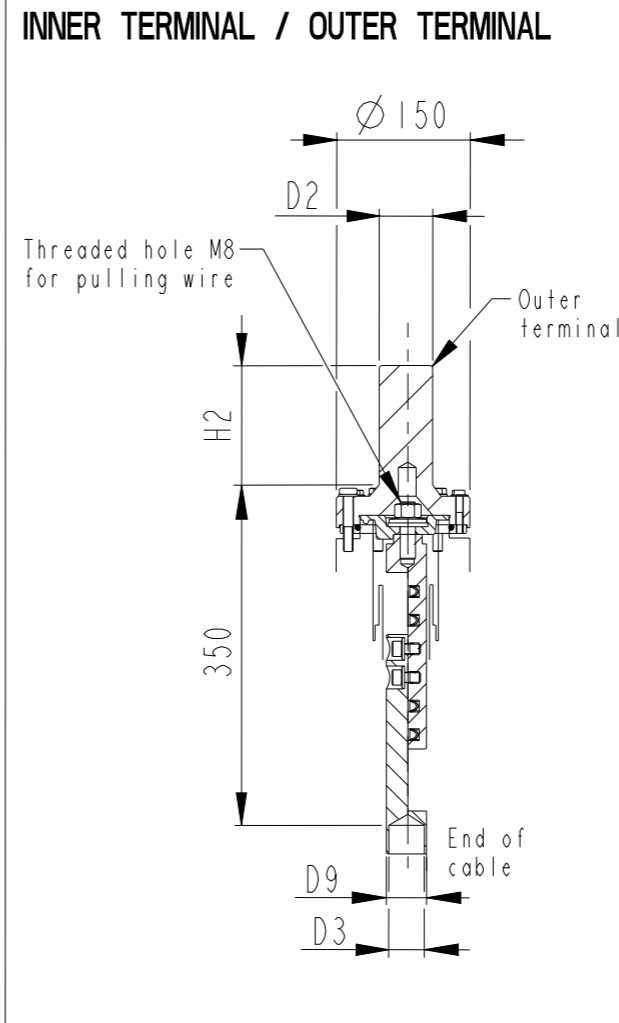
Bushing Data:

Rated Voltage	52 kV
Phase to-earth Voltage	30 kV
Dry Lightning Impulse 1,2/50µs	250 kV
Wet Switching Impulse	210 kV
Wet Power frequency AC	120 kV
Routine test 1min dry 50Hz	120 kV
Rated Current	5000 A
Creepage Distance	2955 mm
Mass	280 kg

Ordering Data:

BUSHING		COLOUR AIR INSULATOR			
1ZSC902052-ABA		BROWN			
OUTER TERMINAL					
		H2 (mm)	D2 (mm)		
LF170 073-A	Al	125	60		
LF170 073-B	Cu	125	60		
LF170 073-G	Cu/Ag	125	60		
LF170 073-L	Cu/Sn	125	60		
LF170 073-BA	Cu/Ag	125	2"-12UN		
LF170 073-AA	Cu	115	96		
LF170 073-DB	Cu/Ag	125	96		
END-SHIELD					
LF170 046-U	EPOXY INSULATED				
LF170 046-UP	INSULATED WITH 3 mm PRESSBOARD				
DRAW ROD SYSTEM					
LF170 059	LOWER DRAW ROD WITH NI=4 OR NI=6				
LF170 057	UPPER DRAW ROD				
INNER TERMINAL					
	D3 (mm)	D9 (mm)	Cond.area (mm ²)	Current (A) IEC	IEEE
LF170 056-A	0 *	35	-	-	-
LF170 056-B	15	35	95	390	370
LF170 056-C	30	35	285	1000	830

*) WITH PILOT HOLE D=5



NI=Number of holes M12, equipped with thread insert with screw lock, depth 20, for cable lugs.

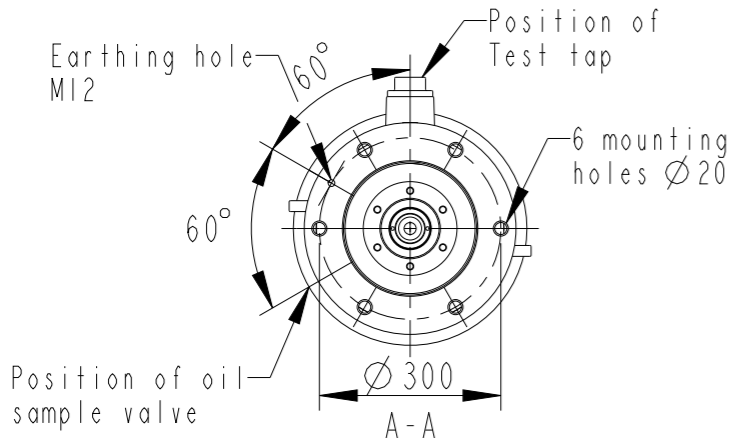


ABB Ludvika, Sweden

No.	Um/Uy	kV Ir	A	50/60 Hz
BIL	kV	SIL	kV	AC kV
M	kg	L	mm	✓
C1	pF	Tan δ		x
C2	pF	Tan δ		x

Prepared	Kalaivanan R	2017-06-16	Responsible department	PGCO/BK	Title	
Modified by	Kalaivanan R	2017-06-22	Take over department		GOE 250-210-5000-0.3	
Approved by	Natalia Gutman	2017-06-22	Used in product		GOE 250-210-5000-0.3	Language 82
Revision	G	Drawing display updated	Order			Sheet no. 1
Document no. 2751369-299					No. Shits. (1)	

