



GEH4680

Neutral Kit

TNI63*



Hazards of electrical shock or burn! Turn off power before working inside this equipment.

Used with:

100 Ampere Heavy Duty Non-Fusible Switches

Description:

This device, catalog number TNI63*, Model 4, is UL listed for use as 600Volt maximum insulated groundable neutral. The complete kit consists of the following parts (see Figure 1):

Neutral Block with:

2 14-0 copper, #12-0 aluminum lugs

(1 each for line and load)

1 14-0 copper, #12-2 aluminum lug

(for grounding)

2 Mounting screws with 2 flat washers

1 fiber shield

For Bonding:

1 #10-32UNF X 1-3/4 Inch self-threading bonding screw

Installation

Remove two filler screws (if installed) from tapped holes in lower left backwall of switch enclosure. Using Figure 2 as a guide, install neutral in enclosure on the lower back wall with mounting screws.

CAUTION: Ensure neutral is positioned with grounding lug down and insulator is properly placed between neutral and enclosure wall.

When installing wiring, the following lug screw torques are recommended.

Line and Load lugs-torque from 110 to 120 in-lbs.
Grounding Lug-45 to 50 in-lbs

Bonding

If bonding is required, insert bonding screw provided through the hole in the switch enclosure, penetrating the insulator.

Note: * - Applicable for UL Recognized Catalog Numbers with UR suffix also.

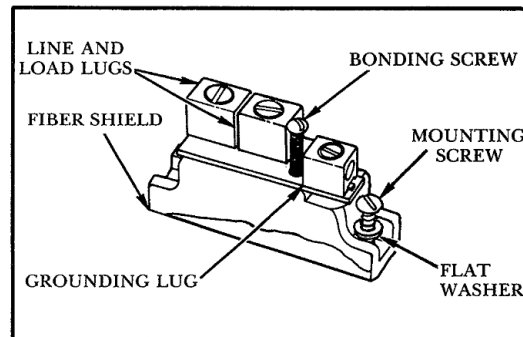


Figure 1. TNI63*, Model 4 Neutral

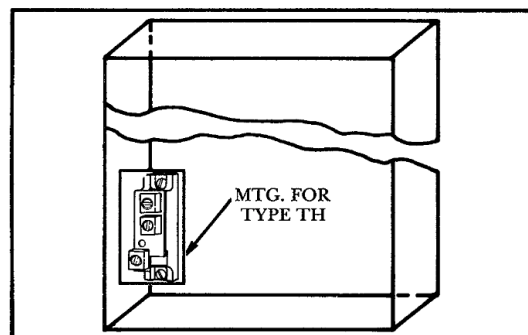


Figure 2. Installing TNI63*, Model 4 Neutral in THN Switch