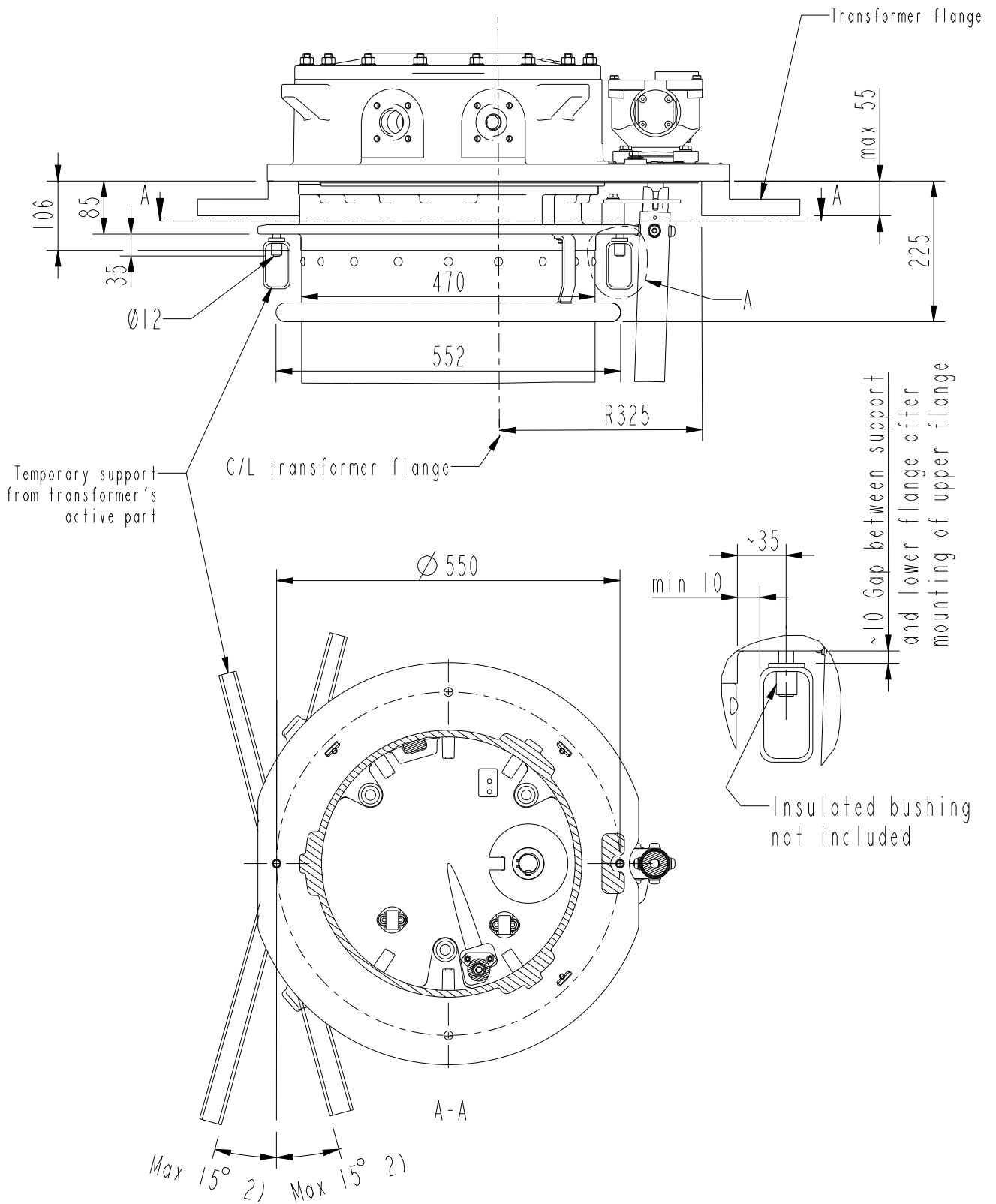
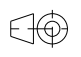



This document is issued by means of a computerized system. The digitally stored original is electronically approved. The approved document has a date entered in the 'Approved' -field. A manual signature is not required.



We reserve all rights in this document and in the information contained therein. Reproduction, use or disclosure to third parties without express authority is strictly forbidden. © Copyright 2015 ABB. All rights reserved.

- 1) Shielding ring only for 650, 750 and 1050 kV
- 2) If the width of the beam doesn't exceed 40mm

Date / Approved -		Responsible department PPCO/TK		Document Kind DIMENSION DRAWING							
		Title Assembly on active part Montering på aktiv del				Revision C		Language 82		Sheet 1/1	
		Document Id. 54920103-1									