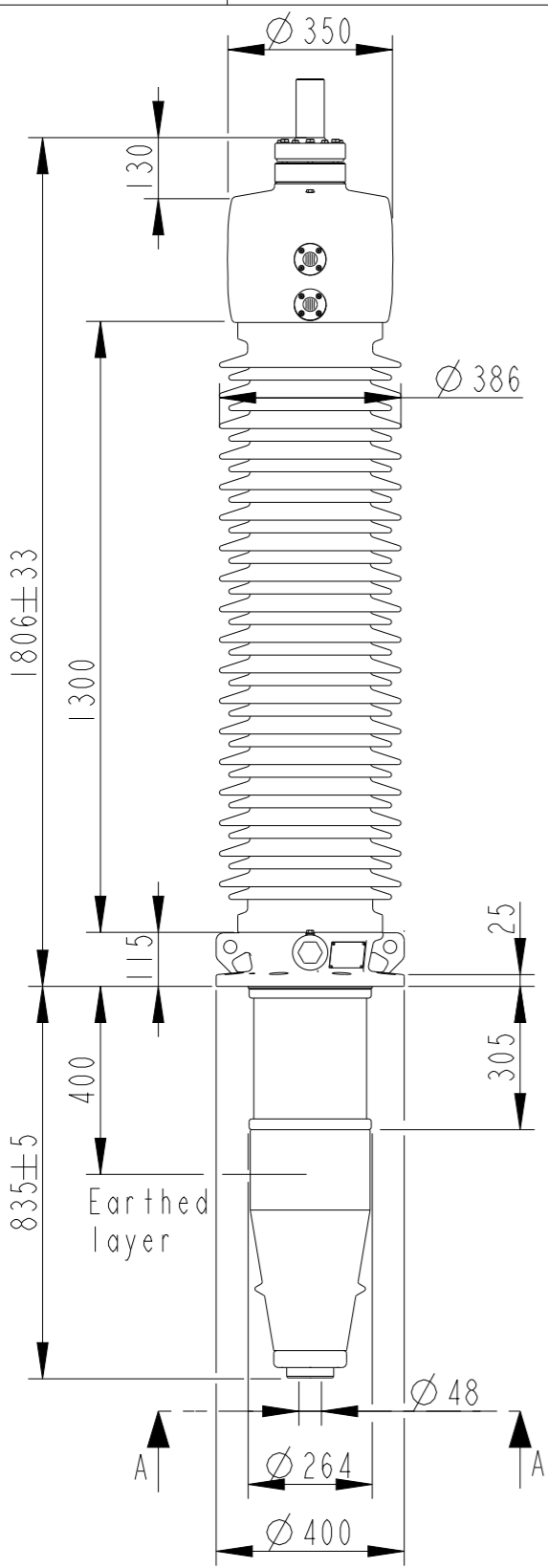


This document is issued by means of a computerized system. The digitally stored original is electronically approved. The approved document has a date entered in the "Approved"-field. A manual signature is not required.

The information contained in this document has to be kept strictly confidential. Any unauthorized use, reproduction, distribution or disclosure to third parties are strictly forbidden. ABB reserves all rights regarding Intellectual Property Rights. © Copyright 2013 ABB. All rights reserved.



**Bushing Data:**

Rated Voltage	145 kV
Phase to-earth Voltage	84 kV
Dry Lightning Impulse 1,2/50µs	650 kV
Wet Switching Impulse	500 kV
Wet Power frequency AC	315 kV
Routine test Imin dry 50Hz	325 kV
Rated Current	3150 A
Creepage Distance	4775 mm
Mass	330 kg

**Ordering Data:**

<b>BUSHING</b>	COLOUR AIR INSULATOR				
1ZSC902145-AAA/BAA	BROWN/LIGHT GREY				
<b>OUTER TERMINAL</b>		Max. Rated Current (A)	H2 (mm)	D2 (mm)	
LF170 073-A	Al	2500	125	60	
LF170 073-B	Cu	4000	125	60	
LF170 073-G	Cu/Ag	4000	125	60	
LF170 073-L	Cu/Sn	4000	125	60	
LF170 073-BA	Cu/Ag	3000	125	2"-12UN	
LF170 073-AA	Cu	5000	115	96	
<b>END-SHIELD</b>	EPOXY INSULATED				
LF170 046-U	INSULATED WITH 3 mm PRESSBOARD				
LF170 046-UP	INSULATED WITH 3 mm PRESSBOARD				
<b>DRAW ROD SYSTEM</b>	LOWER DRAW ROD WITH NI=4 OR NI=6				
LF170 059	UPPER DRAW ROD				
<b>INNER TERMINAL</b>	D3 (mm)	D9 (mm)	Cond.area (mm <sup>2</sup> )	Current (A) IEC	Current (A) IEEE
LF170 056-E	0 *	45	-	-	-
LF170 056-D	40	45	600	1600	1360

\*) WITH PILOT HOLE D=5

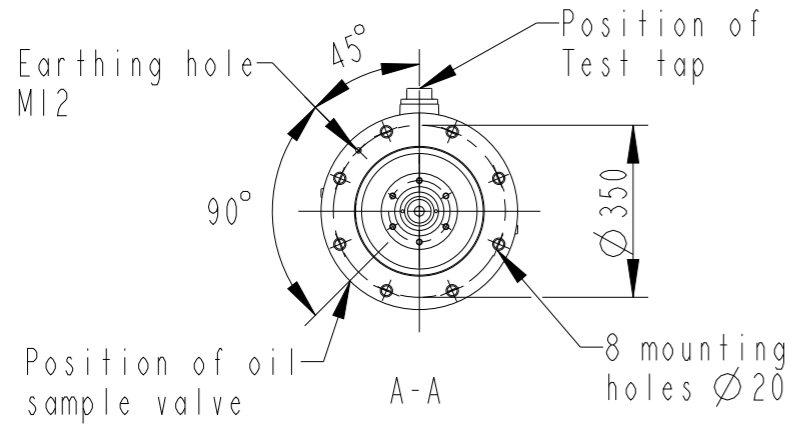
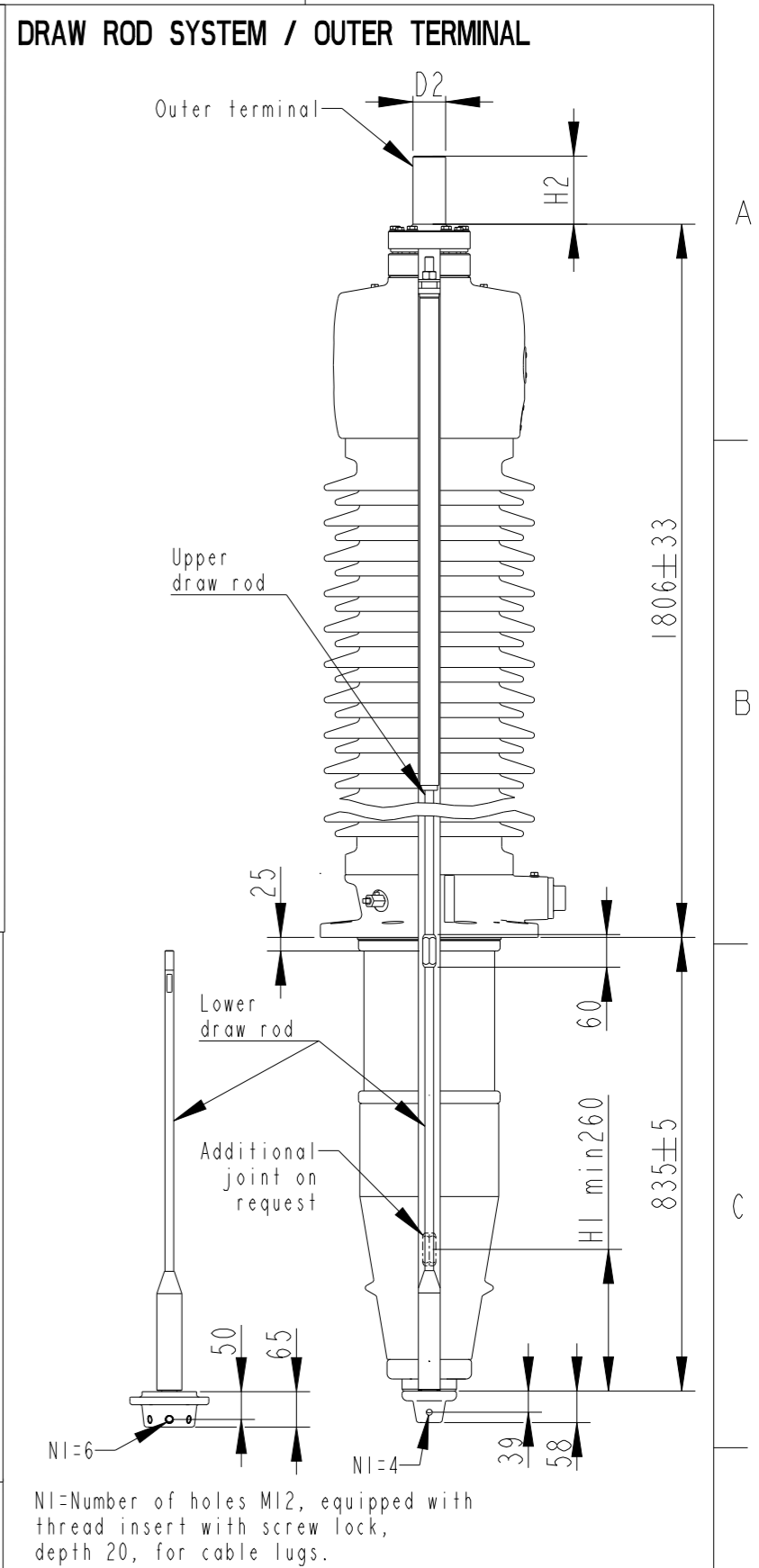
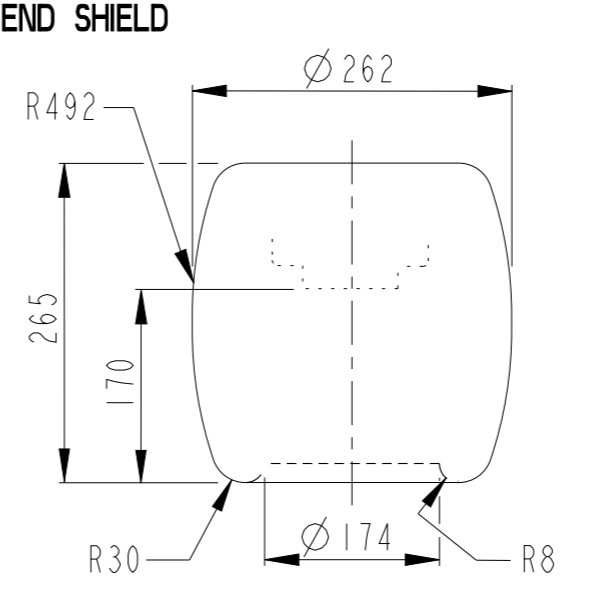
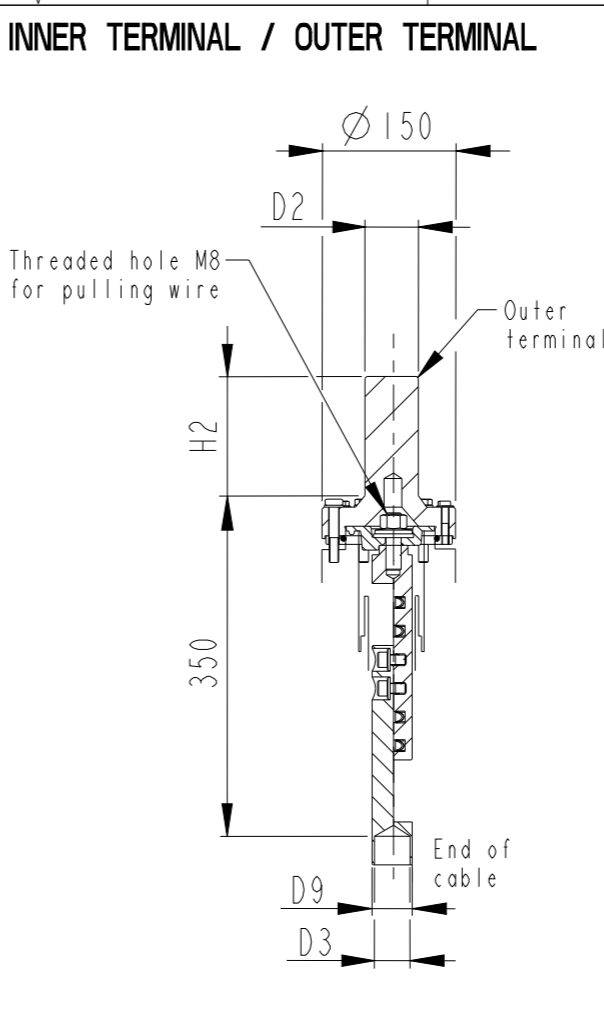


ABB Ludvika, Sweden

No.	Um/Uy	kV Ir	A 50/60 Hz
BL	kV SL	kV AC	kV
M	kg L	mm	✓
C1	pF	Tan δ	x
C2	pF	Tan δ	x

Prepared	Rezhin Ismail	2017-05-31	Responsible department	PGCO/BK	Title	GOE 650-500-3150-0.3
Modified by	Rezhin Ismail	2017-06-26	Take over department			
Approved by	Natalia Gutman	2017-06-26	Used in product			GOE 650-500-3150-0.3
Revision	F	Drawing display updated			Order	
					Document no.	2751369-305
						No. Shits. (1)