

## KOR-20

### Outdoor current transformer



#### Product features

- 34.5 kV outdoor
- 200 kV BIL, 60 Hertz
- Electrical clearances:
  - Strike: 15.75" (400 mm)
  - Creep: 36.50" (927 mm)
- Approximate weight: 110 lbs (50 kg)

#### Application

The KOR-20 outdoor current transformer is designed for metering and relaying on outdoor 34.5 kV circuits and is available in single and dual ratio designs. Dual ratio designs are accomplished by tapping the secondary winding.

#### Construction features

Primary and secondary windings are assembled around a toroidal core and attached to a support frame. For insulation and protection, the assembly is cast in hydrophobic cycloaliphatic epoxy (HCEP) using automatic pressure gelation. The HCEP material offers superior arc track, ozone, and ultraviolet-resistive properties while maintaining physical strength. Hydrophobic surface properties ensure highly reliable performance in wet, humid, or polluted environments.

#### Terminals

Primary terminals are electro-tin plated copper. Clamp-type secondary terminals accommodate #14

The KOR-20 outdoor current transformer is designed for metering and relaying on outdoor 34.5 kV circuits and is available in single and dual ratio designs.

through #1 wire. The X2-X3 terminals form the standard tap connections when the transformer is tapped.

#### Junction box

The junction box is provided with 1" conduit hubs on each end and a knock-out for fitting a conduit connection from the bottom. It may be detached for ease of installation and changeout procedures.

#### Baseplate

The baseplate is constructed of corrosion-resistant aluminum and is secured to the encapsulated base support.

#### Mounting

The KOR-20 can be mounted in upright, cantilever, or upside-down positions. Stress relief devices should be used to support cable connections.

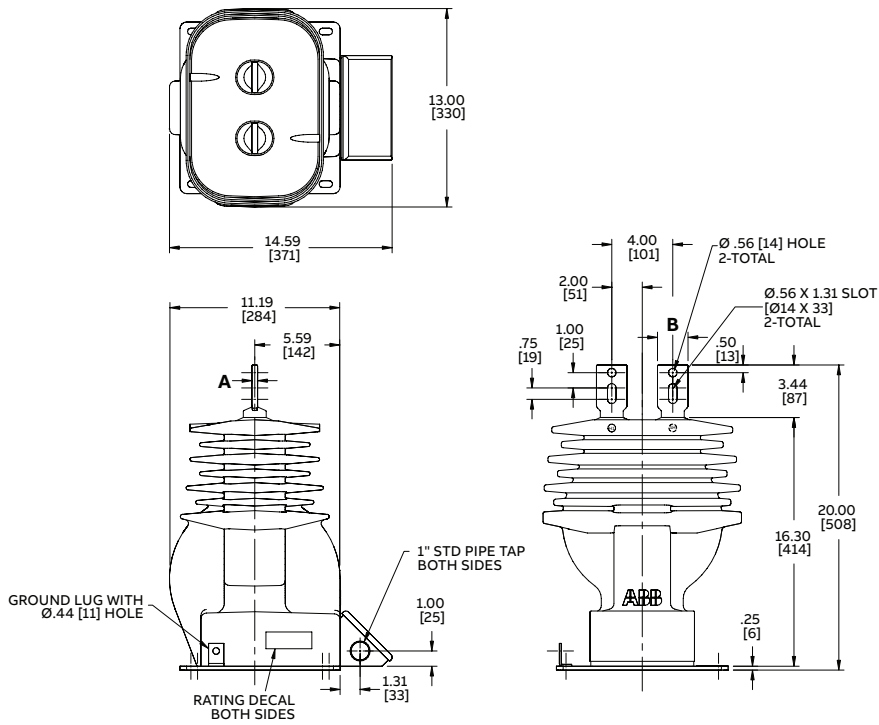
#### Test reports

Test reports are stored electronically and can be e-mailed in various formats at the time of shipment.

#### Standards

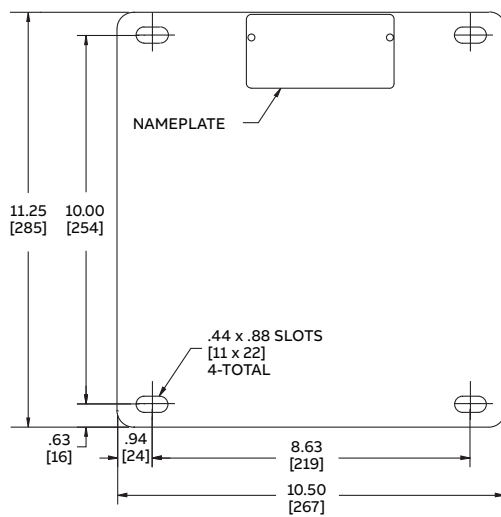
This unit can be tested to all applicable IEEE, CSA, or IEC standards as requested.

**Dimensions (inches [mm])**



**Bar dimensions**

Primary ampere rating	A		B	
	(in)	(mm)	(in)	(mm)
5 - 100	.25	6	1.5	38
150 - 1200	.375	10	2.0	51



<b>Selection guide</b>						
<b>Primary ampere rating</b>	<b>Rating factor @ 30° C</b>	<b>IEEE metering accuracy</b>	<b>IEEE relay accuracy</b>	<b>Thermal rating*</b>	<b>Mechanical rating*</b>	<b>Style number</b>
<b>KOR-20</b>						
5	3.0	0.3B-0.9	C100	100	270	E-7524A22G19
10	3.0	0.3B-0.9	C100	100	270	E-7524A22G01
15	3.0	0.3B-0.9	C100	100	270	E-7524A22G02
20	3.0	0.3B-0.9	C100	100	270	E-7524A22G03
25	3.0	0.3B-0.9	C100	100	270	E-7524A22G04
30	3.0	0.3B-0.9	C100	100	270	E-7524A22G05
40	3.0	0.3B-0.9	C100	100	270	E-7524A22G06
50	3.0	0.3B-0.9	C100	100	270	E-7524A22G07
75	3.0	0.3B-0.9	C100	100	270	E-7524A22G08
100	3.0	0.3B-0.9	C100	100	270	E-7524A22G09
150	3.0	0.3B-0.9	C100	100	270	E-7524A22G10
200	3.0	0.3B-0.9	C100	100	270	E-7524A22G11
300	3.0	0.3B-0.9	C100	100	270	E-7524A22G12
400	3.0	0.3B-0.9	C100	100	270	E-7524A22G13
500	2.0	0.3B-0.9	C100	100	270	E-7524A22G14
600	2.0	0.3B-0.9	C100	100	270	E-7524A22G15
800	1.5	0.3B-0.9	C100	75	200	E-7524A22G16
1200	1.0	0.3B-0.9	C100	50	135	E-7524A22G17
<b>KOR-20 (dual ratio)</b>						
5/10	3.0/1.5	0.3B-0.9 Tap 0.3B-1.8 Full	C100/C200	100/50	270/135	E-7524A21G01
10/20	3.0/1.5	0.3B-0.9 Tap 0.3B-1.8 Full	C100/C200	100/50	270/135	E-7524A21G02
20/40	3.0/1.5	0.3B-0.9 Tap 0.3B-1.8 Full	C100/C200	100/50	270/135	E-7524A21G03
25/50	3.0/1.5	0.3B-0.9 Tap 0.3B-1.8 Full	C100/C200	100/50	270/135	E-7524A21G04
50/100	3.0/1.5	0.3B-0.9 Tap 0.3B-1.8 Full	C100/C200	100/50	270/135	E-7524A21G05
75/150	3.0/1.5	0.3B-0.9 Tap 0.3B-1.8 Full	C100/C200	100/50	270/135	E-7524A21G06
100/200	3.0/1.5	0.3B-0.9 Tap 0.3B-1.8 Full	C100/C200	100/50	270/135	E-7524A21G07
150/300	3.0/1.5	0.3B-0.9 Tap 0.3B-1.8 Full	C100/C200	100/50	270/135	E-7524A21G08
200/400	3.0/1.5	0.3B-0.9 Tap 0.3B-1.8 Full	C100/C200	100/50	270/135	E-7524A21G09
300/600	3.0/1.5	0.3B-0.9 Tap 0.3B-1.8 Full	C100/C200	100/50	270/135	E-7524A21G10
400/800	3.0/1.5	0.3B-0.9 Tap 0.3B-1.8 Full	C100/C200	75/37.5	200/100	E-7524A21G11
600/1200	2.0/1.0	0.3B-0.9 Tap 0.3B-1.8 Full	C100/C200	50/25	135/67.5	E-7524A21G12

Additional styles available upon request. Contact your ABB sales representative or call +1-252-827-3212 for more information.

\* times normal, 1 second

+ times normal

For 50 Hz styles, contact the factory.

---

ABB Inc.  
3022 NC 43 North  
Pinetops, NC 27864  
Phone: +1 252 827 3212

[abb.com/mediumvoltage](http://abb.com/mediumvoltage)

---

We reserve the right to make technical changes or modify the contents of this document without prior notice. With regard to purchase orders, the agreed particulars shall prevail. ABB does not accept any responsibility whatsoever for potential errors or possible lack of information in this document.

We reserve all rights in this document and in the subject matter and illustrations contained therein. Any reproduction, disclosure to third parties or utilization of its contents – in whole or in parts – is forbidden without prior written consent of ABB Inc.  
Copyright© 2020 ABB  
All rights reserved