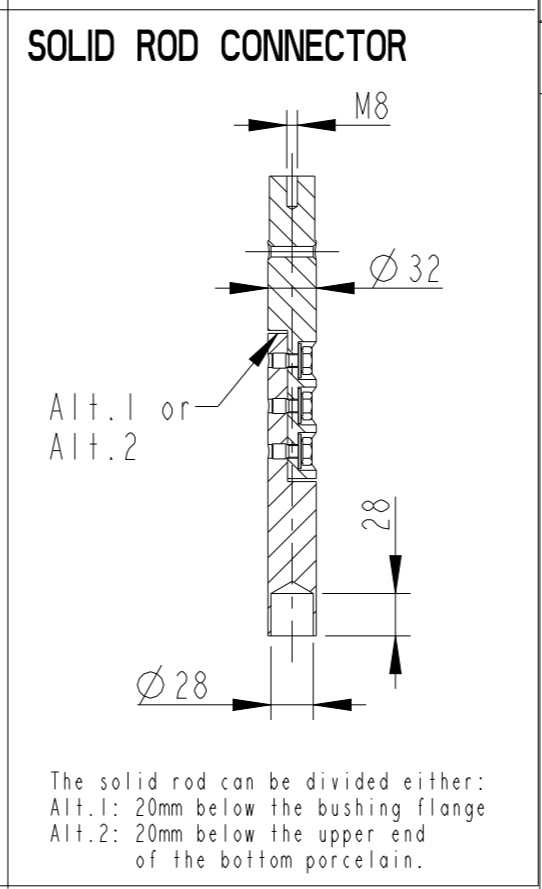
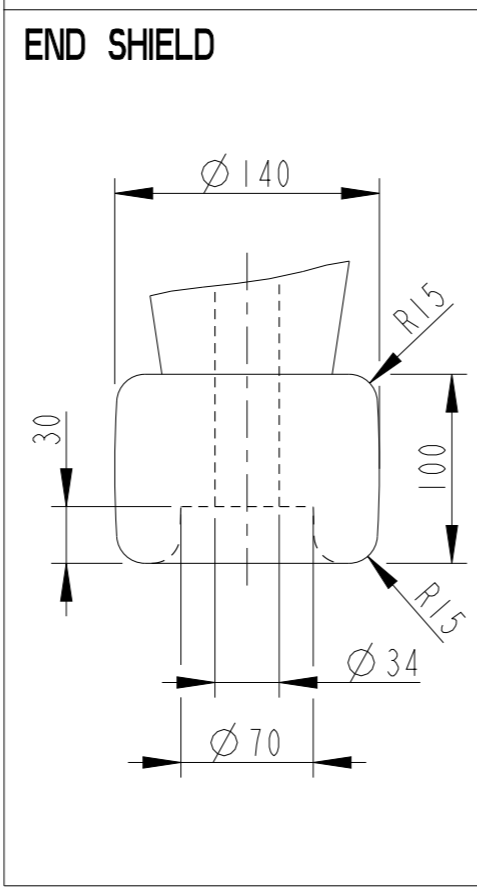
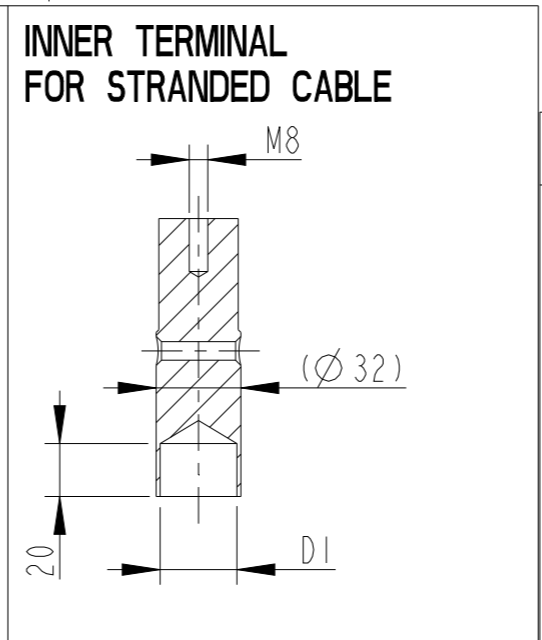
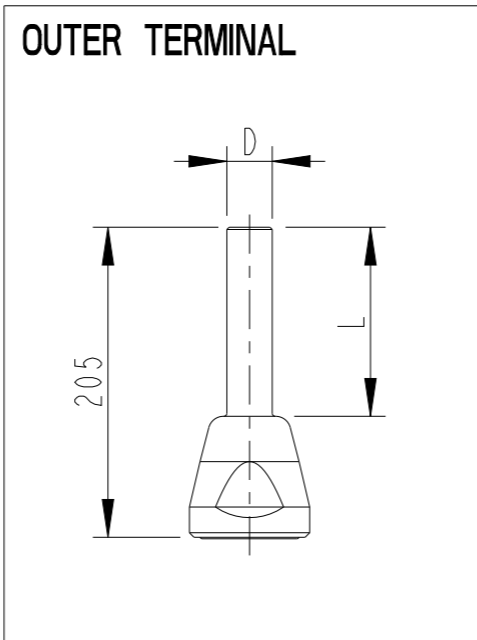
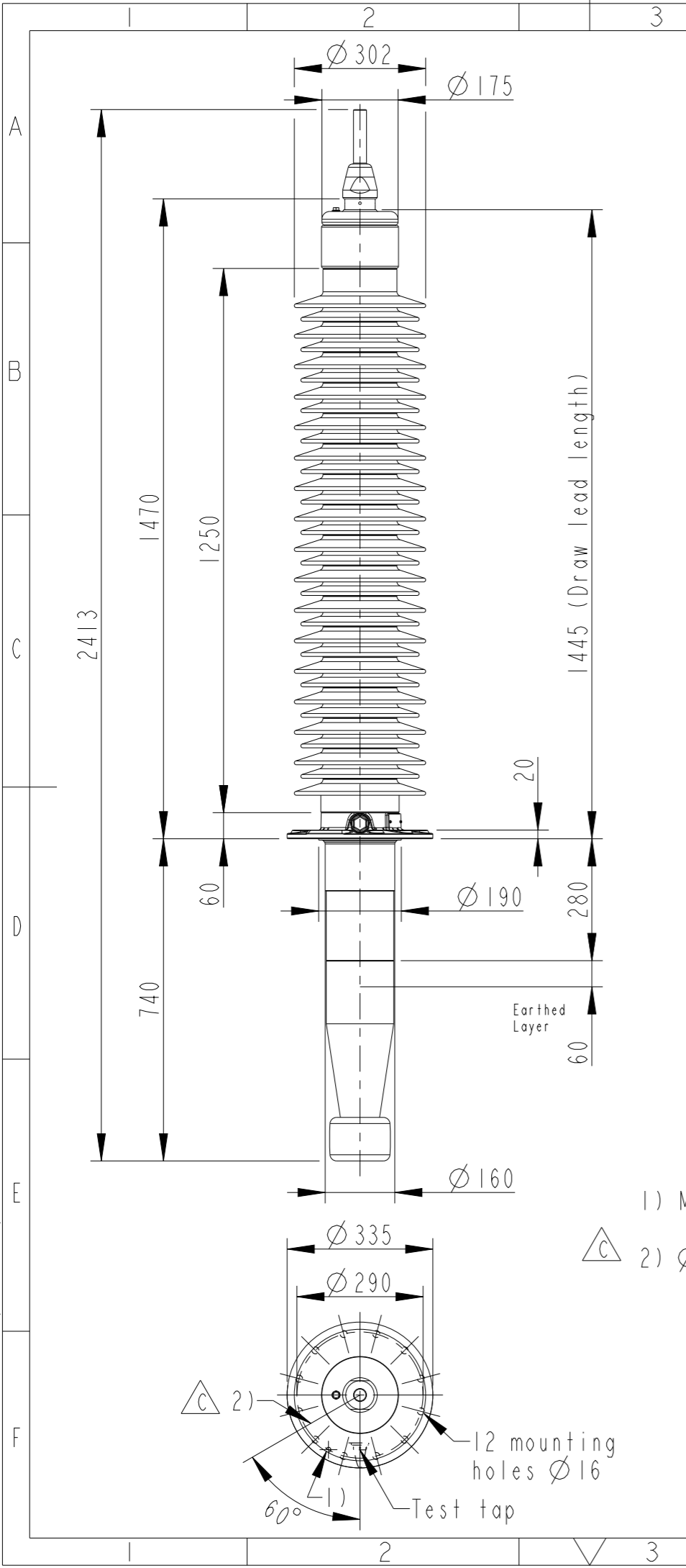


This document is issued by means of a computerized system. The digitally stored original is electronically approved. The approved document has a date entered in the "Approved"-field. A manual signature is not required.

We reserve all rights in this document and in the information contained therein. Reproduction, use or disclosure to third parties without express authority is strictly forbidden.



Revision	Revision text
C	Phase to Ground Voltage changed from 145 to 98kV, Added LF123075-HK & HL, Notes updated, Model Updated

Bushing Data:

Rated Voltage	170	kV
Phase to Ground Voltage	$\triangle C$ 98	kV
Dry Lightning Impulse 1,2/50 μ s	650	kV
Wet power frequency AC	275	kV
Routine test Imin dry 50Hz	300	kV
Rated Current	1250	A
Creepage Distance	4600 \pm 110	mm
Creepage Distance Protected	1980	mm
Mass	122	kg

Ordering Data:

BUSHING	COLOUR AIR INSULATOR
LF123075-K	BROWN
-L	LIGHT GREY
-HK	BROWN Horizontal 45°-90°
-HL	LIGHT GREY Horizontal 45°-90°
OUTER TERMINAL	Material D L
LF 170 002-B	Cu alloy, ϕ 30, 125
LF 170 001-B	Al, ϕ 30, 125
OTHER TYPES ON REQUEST	
INNER TERMINAL FOR STRANDED CABLE	
For brazing	Conductor area D1
LF 170 011-T	up to 285mm ² ϕ 29
LF 170 011-V	Undrilled with pilot hole ϕ 5
SOLID ROD CONNECTOR	Material
LF 170 052 -K for Alt.1	Cu
LF 170 052 -G for Alt.2	Cu

- 1) M12 (For Earthing)
- $\triangle C$ 2) ϕ 4 Oil connection hole (only valid for horizontal mounting)

ABB		Ludvika, Sweden	
No.	kV Ir	A	50/60 Hz
\circ Um	kV SIL	kV AC	kV
M	kg L	mm	\surd
C1	pF Tan δ		x
C2	pF Tan δ		x

Created by Mariappan M	Reviewed by Joakim Persson	Approved by Natalia Gutman
Approved 2020-09-03	Document Kind Outline Drawing	Based on doc.id Work order id Project id
Company ABB Technology Ltd	Title, Supplementary title GOB 650-1250-0.3 WITHOUT OIL LEVEL GAUGE STD END SHIELD	
Responsible Department SEABB-9AAE300824	Document id 2751369-159	Status Development
ABB	Revision C	Iteration 4
	Sheet 1/1	