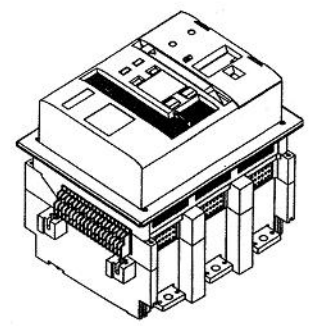


- NOTES:
7. SEE OUTLINE DRAWING I0054370SHI.
6. SEE I0054370SH5ANDI0054370SH6 FOR ADDITIONAL INFORMATION.
5. 4.50 [114.3] MINIMUM DISTANCE ABOVE BREAKER TO METAL IN AN AREA 5.31 X 16.00 [134.9 X 406.4] DUE TO ARC CHAMBER VENTING.
4. DIMENSIONS IN BRACKETS ARE IN [MILLIMETERS].
3. ALL OUTLINE DIMENSIONS ARE THE SAME FOR MANUALLY AND ELECTRICALLY OPERATED DEVICES.
2. TO PREVENT HEATING. DO NOT MOUNT BREAKER TO MAGNETIC STEEL BACK SUPPORT.
1. 1/4-20 MOUNTING BOLTS TO BE FURNISHED BY CUSTOMER.



<h1 style="color: red;">ABB</h1>			
<h3>POWER BREAK II</h3>			
<h3>CIRCUIT BREAKER 800 AMP</h3>			
THIRD ANGLE	SHEET#	DWG. NO.	DATE
	1 of 19	GEM3025	28-Oct-22
			REV
			C

"WRITE ON" SPACES FOR SWITCH
CIRCUIT IDENTIFICATION

AUXILIARY SWITCH



19 AUX. II "A"	1 AUX. 12 "A"
20 AUX. II "B"	2 AUX. 12 "B"
21 AUX. II COM	3 AUX. 12 COM
22 AUX. 9 "A"	4 AUX. 10 "A"
23 AUX. 9 "B"	5 AUX. 10 "B"
24 AUX. 9 COM	6 AUX. 10 COM
25 AUX. 7 "A"	7 AUX. 8 "A"
26 AUX. 7 "B"	8 AUX. 8 "B"
27 AUX. 7 COM	9 AUX. 8 COM
28 AUX. 5 "A"	10 AUX. 6 "A"
29 AUX. 5 "B"	11 AUX. 6 "B"
30 AUX. 5 COM	12 AUX. 6 COM
31 AUX. 3 "A"	13 AUX. 4 "A"
32 AUX. 3 "B"	14 AUX. 4 "B"
33 AUX. 3 COM	15 AUX. 4 COM
34 AUX. 1 "A"	16 AUX. 2 "A"
35 AUX. 1 "B"	17 AUX. 2 "B"
36 AUX. 1 COM	18 AUX. 2 COM

FAR*
ROW
LEFT SIDE
TERMINAL BLOCK LABEL
BLOCK "A"

**INTERNAL WIRE HARNESS
COLOR CODES:**

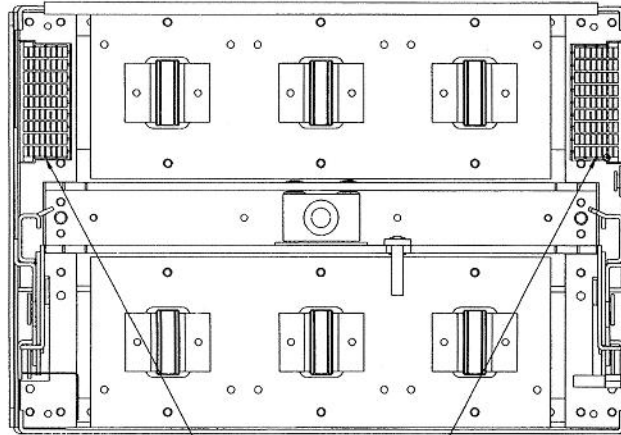
R=RED P=PURPLE
W=WHITE G=GREEN
Y=YELLOW B=BLACK
N=BROWN L=BLUE

16 ELECT. OPER.+ R	36 ELECT. OPER.- B
17 RMT. CHG. W	35 RMT. CHG. L
16 RMT. CLS.+ Y	34 RMT. CLS.- N
15 B.A. ONLY COM Y	33 CHG. IND. Y
14 B.A. ONLY N.O. N	32 SHUNT TRIP B
13 B.A. ONLY N.C. P	31 SHUNT TRIP B
12 B.A. LOCKOUT COM W	30 U.V.R. L
11 B.A. LOCKOUT N.O. R	29 U.V.R. L
10 B.A. LOCKOUT N.C. B	28 B B
9	27
8	26 ZSI INPUT- W
7 COMMNET- G	25 ZSI INPUT+ G
6 COMMNET+ W	24 ZSI OUTPUT- W
5 C Ø VOLTS R	23 ZSI OUTPUT+ R
4 B Ø VOLTS W	22 D/O SWITCH W
3 A Ø VOLTS L	21 D/O SWITCH L
2 24VOLTS DC- B	20 A H TAP B
1 24VOLTS DC+ R	19 B H COM. W

NEAR*
ROW
RIGHT SIDE
TERMINAL BLOCK LABEL
BLOCK "B"

WIRE CHART

NOTE: WIRE RANGE #18 THRU #12
SOLID OR 3 STRANDED COPPER WIRE.
TORQUE: 9LB-IN.

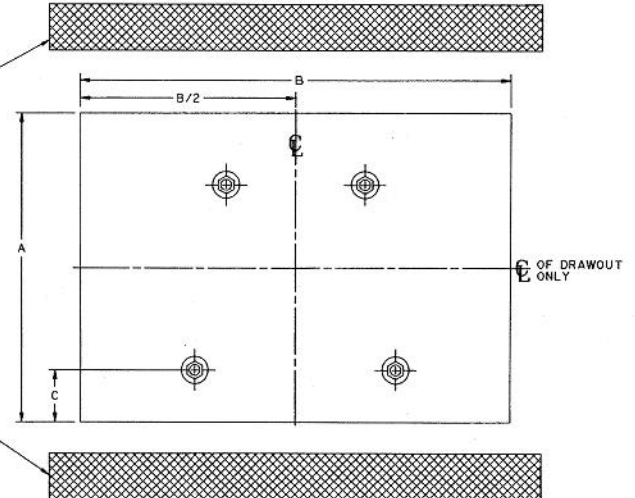


28	19	10	1
29	20	11	2
30	21	12	3
31	22	13	4
32	23	14	5
33	24	15	6
34	25	16	7
35	26	17	8
36	27	18	9

9	18	27	36
8	17	26	35
7	16	25	34
6	15	24	33
5	14	23	32
4	13	22	31
3	12	21	30
2	11	20	29
1	10	19	28

LEFT SIDE RIGHT SIDE

NOTE: ALL WIRES ON LEFT = AUX. SWITCH WIRES.
ALL WIRES ON RIGHT = ALL OTHER WIRING.
*S CORRESPOND TO WIRE CHART
I.E. *31, 32 RIGHT = SHUNT TRIP



FRAME RATING	BREAKER TYPE	WEIGHT		MINIMUM COMPARTMENT VOLUME	MINIMUM DOOR VENTILATION	STANDARD DOOR CUT-OUT			OPTIONAL DOOR CUT-OUT		
		BREAKER	DRAWOUT SUBSTRUCTURE			A	B	C	A	B	C
800A	STATIONARY MOUNTED	71 LBS* [32.3KG]	N/A	3447 CU.IN. [56486CU.CM]	NONE	10	14	1.69	9.83	13.38	1.605
[254]		[356]				[42.9]	[249.7]	[339.9]	[40.8]		
TRIM PLATE REQUIRED						FLUSH FRONT OR NON-HINGED DOOR CONSTRUCTION- TRIM PLATE MAY BE OMITTED					
1600A	DRAWOUT MOUNTED	79 LBS* [35.9KG]	54 LBS [24.5KG]	3780 CU.IN. [61943CU.CM]	NONE	10	14	N/A	9.83	13.38	N/A
[254]		[356]					[249.7]	[339.9]			
TRIM PLATE REQUIRED						FLUSH FRONT OR NON-HINGED DOOR CONSTRUCTION- TRIM PLATE MAY BE OMITTED					
2000A	DRAWOUT MOUNTED	106 LBS* [48.2KG]	68 LBS [30.9KG]	5670 CU.IN. [92915CU.CM]	NONE	10	14	N/A	9.83	13.38	N/A
[254]		[356]					[249.7]	[339.9]			
TRIM PLATE REQUIRED						FLUSH FRONT OR NON-HINGED DOOR CONSTRUCTION- TRIM PLATE MAY BE OMITTED					

N/A = NOT APPLICABLE
* ADD 9 LBS [4.1KG]
FOR ELECTRICAL OPERATOR

TABLE 1

- NOTES:
3. SEE OUTLINE DRAWING I0054370SH5.
2. BUSBARS OR CABLES SHOULD BE SIZED PER UL891 DEAD-FRONT SWITCHBOARDS STANDARD.
1. DIMENSIONS IN BRACKETS ARE [METRIC].

ABB

POWER BREAK II

CIRCUIT BREAKER WEIGHTS & VENTS INFO

THIRD ANGLE	SHEET#	DWG NO.	DATE	REV
	5 of 19	GEM3025	28-Oct-22	C