

INSTRUMENT TRANSFORMERS

# KIT-60, -75, -11, and -15

## Indoor current transformers



The KIT-60, -75, -11, and -15 indoor current transformers are designed for high current metering and relaying. All ratios are available with a 3.25" diameter primary opening or primary spade terminals.

### Product features

- KIT-60: 5 kV, 60 kV BIL; KIT-75: 8.7 kV, 75 kV BIL
- KIT-11: 15 kV, 110 kV BIL; KIT-15: 25 kV, 150 kV BIL
- Indoor, 60 Hertz
- Primary amperes: 400 - 4000

### Application

The KIT indoor current transformers are designed for high current metering and relaying. All ratios are available with a 3.25" diameter primary opening or primary spade terminals.

### Construction features

KIT units utilize a one-piece cast polyurethane bushing to provide insulation strength. The tube-type KIT bushing has a 3.25" diameter brass-lined opening for the primary conductor to pass through. The primary conductor and brass liner can be tied together electrically through a terminal located on the end of the bushing. Bar-type bushings have 0.25" thick, tin-plated copper terminal spades brazed to each end of a tubular copper bus. The primary bushing is inserted through the window of the molded core and coil assembly and secured in place with end plates.

### Secondary terminals

Large compression-type terminals are equipped with slotted hex-head tightening screws. A rotatable shorting bar is positioned on a center post located midway between the terminals. The center post also serves as a third terminal on dual ratio transformers.

### Base

The baseplate is constructed of corrosion-resistant aluminum and secured to the encapsulated base support.

### Mounting

All KIT units can be mounted in upright, cantilever, or upside-down positions.

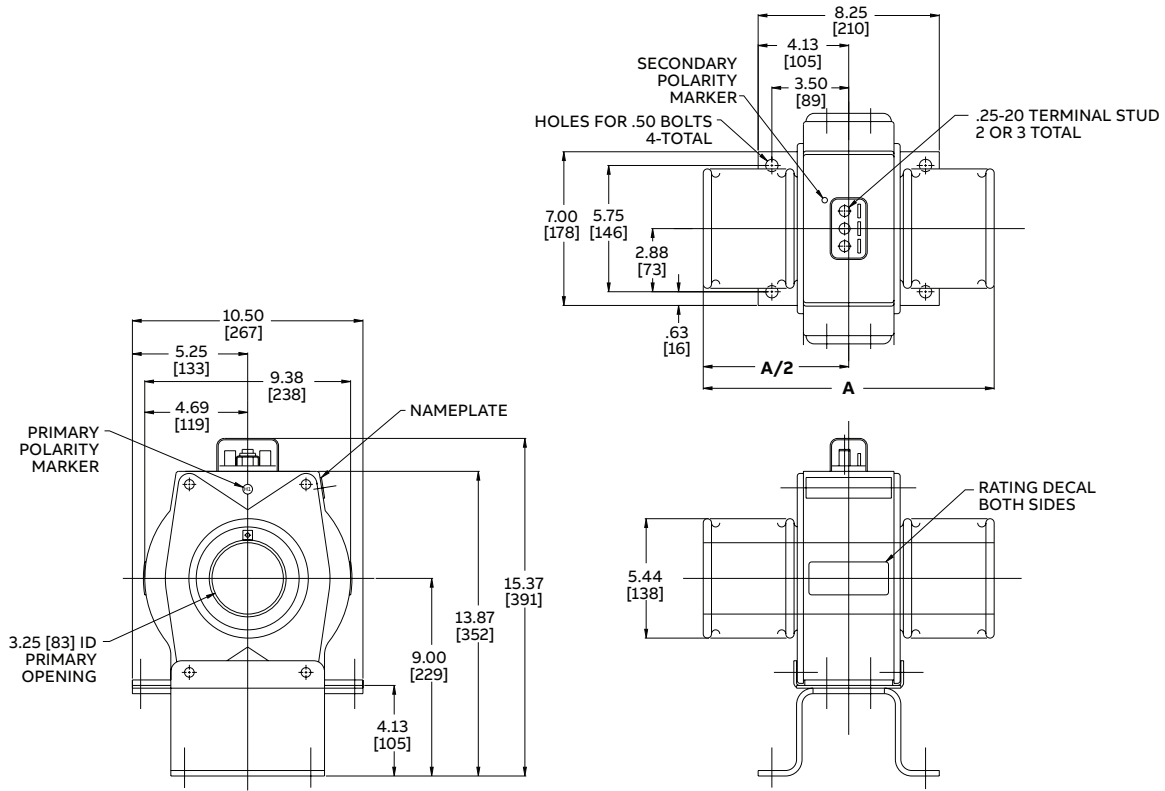
### Test reports

Test reports are stored electronically and can be e-mailed in various formats at the time of shipment.

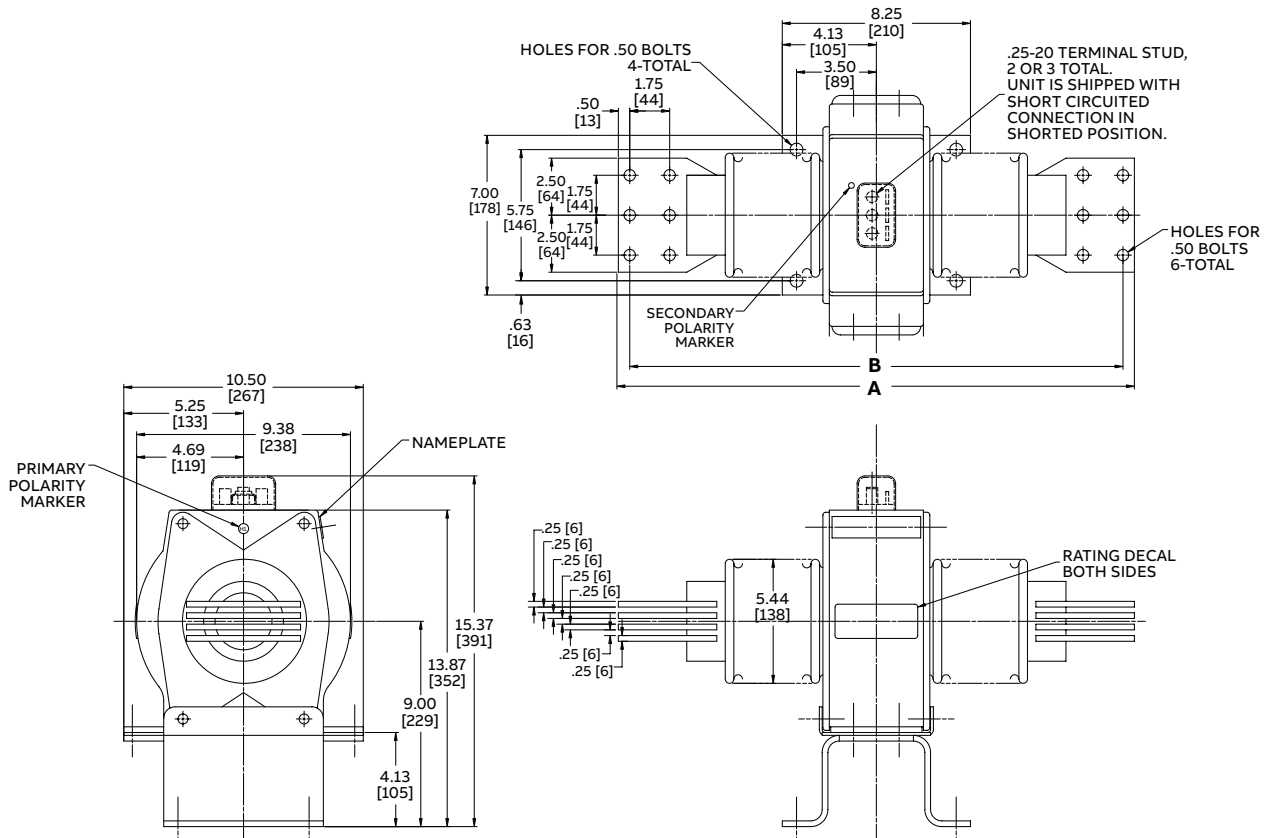
### Standards

These units meet or exceed all requirements of IEEE C57.13-2016 and can be tested to other standards as requested.

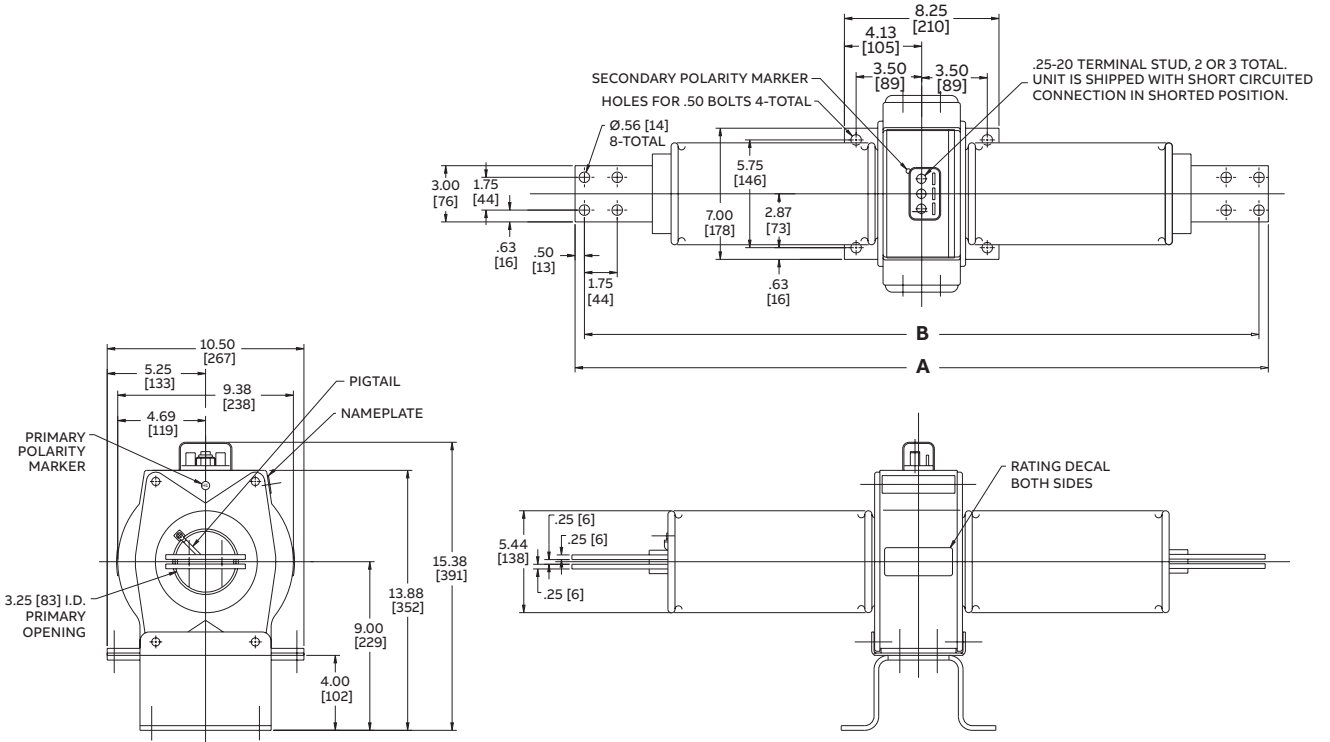
**Dimensions (inches [mm])**



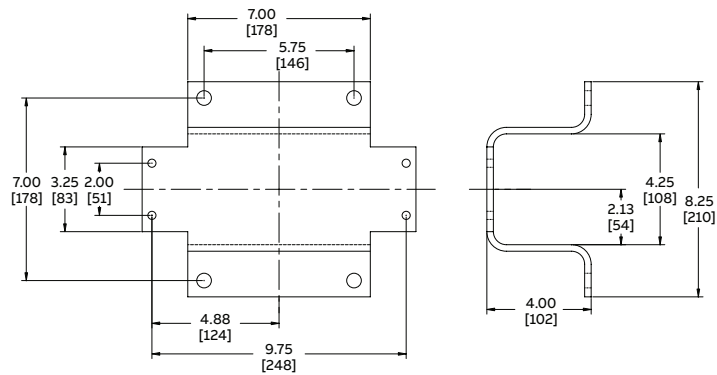
**Tube type: all ratings**



**With primary bar: above 2000 amperes**



With primary bar: below 2000 amperes



Base: all types and ratings

Dimensions and weights										
Style	With primary bar					Tube-type				
	A		B		Unit Weight		A		Unit Weight	
	(in)	(mm)	(in)	(mm)	(lbs)	(kg)	(in)	(mm)	(lbs)	(kg)
KIT-60	19.625	498	18.625	473	62-73	28-33	10.25	260	40	18
KIT-75	22.625	575	21.625	549	67-79	30-36	13.25	337	43	19
KIT-11	27.125	689	26.125	664	75-89	34-40	17.75	451	47	21
KIT-15	36.125	918	35.125	892	89-107	40-49	26.75	679	52	24

Additional bar lengths available upon request.

KIT tube-type					Style number			
Primary ampere rating	Rating factor	IEEE metering accuracy	IEEE relaying accuracy	Thermal rating*	KIT-60	KIT-75	KIT-11	KIT-15
800	3.0	0.3B-0.9	C100	80	7524A42G01	7524A43G01	7524A44G01	7524A45G01
1200	2.0	0.3B-1.8	C200	80	7524A42G02	7524A43G02	7524A44G02	7524A45G02
1500	2.0	0.3B-1.8	C200	100	7524A42G03	7524A43G03	7524A44G03	7524A45G03
2000	2.0	0.3B-1.8	C200	100	7524A42G04	7524A43G04	7524A44G04	7524A45G04
3000	1.5	0.3B-1.8	C200	100	7524A42G05	7524A43G05	7524A44G05	7524A45G05
4000	1.5	0.3B-1.8	C200	100	7524A42G06	7524A43G06	7524A44G06	7524A45G06
600/1200	2.0	0.3B-0.5 0.3B-1.8	C100/C200	80	7524A42G07	7524A43G07	7524A44G07	7524A45G07
1000/2000	2.0	0.3B-0.9 0.3B-1.8	C100/C200	100	7524A42G08	7524A43G08	7524A44G08	7524A45G08
2000/4000	1.5	0.3B-1.8	C100/C200	100	7524A42G09	7524A43G09	7524A44G09	7524A45G09

KIT with primary bar						Style number			
Primary ampere rating	Rating factor	IEEE metering accuracy	IEEE relaying accuracy	Thermal rating*	No. of bars*	KIT-60	KIT-75	KIT-11	KIT-15
800	2.0	0.3B-0.9	C100	80	B	923A272G01	923A274G01	923A277G01	923A279G01
1200	2.0	0.3B-1.8	C200	80	B	923A272G02	923A274G02	923A277G02	923A279G02
1500	2.0	0.3B-1.8	C200	100	C	923A272G03	923A274G03	923A277G03	923A279G03
2000	1.5	0.3B-1.8	C200	100	C	923A272G04	923A274G04	923A277G04	923A279G04
3000	1.33	0.3B-1.8	C200	100	D	923A272G05	923A274G05	923A277G05	923A279G05
4000	1.0	0.3B-1.8	C200	100	D	923A272G06	923A274G06	923A277G06	923A279G06
600/1200	3.0/2.0	0.3B-0.5 0.3B-1.8	C100/C200	80	B	923A272G07	923A274G07	923A277G07	923A279G07
1000/2000	2.0/1.5	0.3B-0.9 0.3B-1.8	C100/C200	100	C	923A272G08	923A274G08	923A277G08	923A279G08
2000/4000	1.5/1.0	0.3B-1.8	C200/C200	100	D	923A272G09	923A274G09	923A277G09	923A279G09

\* times normal, 1 second

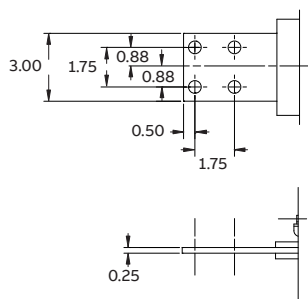
Double current designs available upon request

Additional styles available upon request. Contact your ABB sales representative or call +1-252-827-3212 for more information.

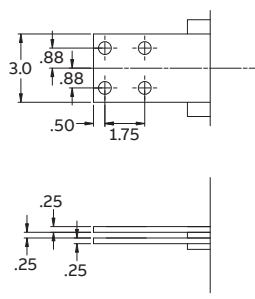
\* **Primary Bar Guide (in.)** - (other bar dimensions available)

Maximum current (amps) = primary amps x RF @ 30°C

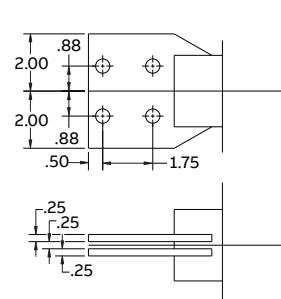
**A: 1550 amps max**



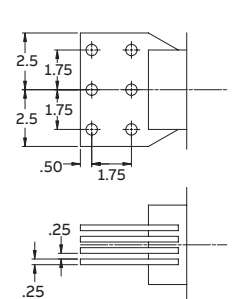
**B: 2400 amps max**



**C: 3000 amps max**



**D: 4000 amps max**



Max current available with rating factor.

Example: 1200 amps with rating factor of 2.0 = 2400 amps

**Accessories:**

4-hole spade spacer: 9625A38H01; 6-hole spade spacer: 9625A38H02