

---

 TECHNICAL DATA SHEET

# PMA Trust™ - BGPMK - Cable clamping adapter

**PMA**



Cable clamping adapters for BGPM system support and BGMPR reduction half-shells



#### Applications:

- Cable clamping adapters for PMA Trust™ - BGPM Multiple Holders and BGPMR reduction half-shells for supporting and holding cables

#### Features & Benefits:

- Easy installation
- Provide axial strain relief for cables
- Flexible configuration in Multiple Holders & Reductions possible
- Self-extinguishing

#### Materials:

- High-grade, TPE

#### Compatible with:

- BGPM Modular system support (datasheet no. 40030)
- BGPMR Reducers (datasheet no. 40055)

#### Conforms to:

- EN 45545-2 HL3 (R22 & R23)
- NFPA 130 not applicable (see page 3)
- UL 94 (V0)

#### Weathering resistance:

- Very good UV resistance and weathering characteristics

#### Colour:

- Black

#### Chemical properties:

- Please refer to [www.pma.ch](http://www.pma.ch) (Technical Information / Chemical Resistance)

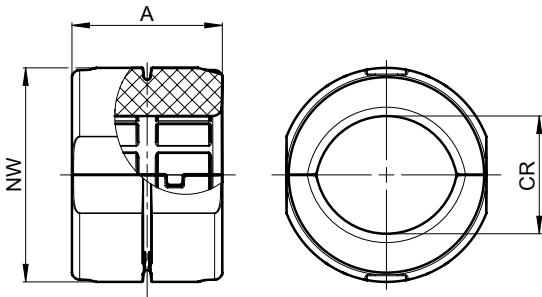
#### Environmental properties:

- Free from halogens and cadmium
- RoHS and REACH compliant

**Product selection:**

Part no.	Cable clamping range in mm		Fits to BGPM & BGPMR	Dimensions in mm (nom.)	Weight	Packing unit
	1 fold BGPM & BGMPR (CR)	2,3 & 4 fold BGPM & BGMPR (CR)				
black				A	kg/100 pcs	pcs/PU
BGPMK-10/7-3	7-3	6-4	10	30.0	0.3	5
BGPMK-12/9-5	9-5	8-6	12	30.0	0.3	5
BGPMK-17/12-8	12-8	11-9	17	30.0	0.6	5
BGPMK-17/15-11	15-11	14-12	17	30.0	0.5	5
BGPMK-23/18-14	18-14	17-15	23	30.0	1.0	5
BGPMK-23/20-16	20-16	19-17	23	30.0	0.9	5
BGPMK-29/22-18	22-18	21-19	29	30.0	1.4	5
BGPMK-29/25-21	25-21	24-22	29	30.0	1.3	5
BGPMK-36/28-24	28-24	27-25	36	30.0	1.9	5
BGPMK-36/31-27	31-27	30-28	36	30.0	1.7	5
BGPMK-36/34-30	34-30	33-31	36	30.0	1.5	5
BGPMK-48/37-33	37-33	36-34	48	30.0	2.9	5
BGPMK-48/40-36	40-36	39-37	48	30.0	2.7	5
BGPMK-48/43-39	43-39	42-40	48	30.0	2.4	5
BGPMK-48/46-42	46-42	45-43	48	30.0	2.1	5

Our customer service dept. or local distribution partner will be pleased to help you concerning product availability and lead time



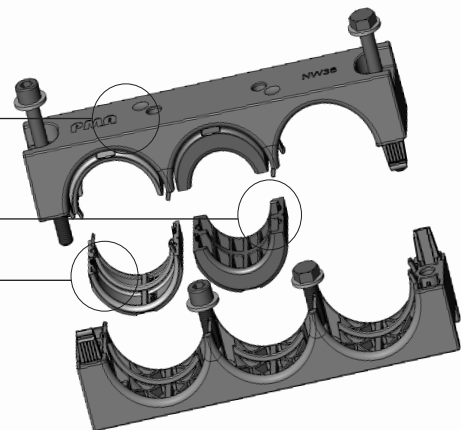
PMA Tust™ - Modular support system

## Composition of the system

**System support, BGPM:** provides axial strain relief for conduits but allowing rotation so that torsion does not transfer to the conduit

**Cable clamping adapter, BGPMK:** made of elastic material, can be used within both the support and the reducers

**Reducer, BGPMR:** allows to adapt the support holder to the next smaller conduit size and even further down



Mechanical Properties:	Value:	Test parameters:	Test method:
Tensile modulus	1'200 ... 3'700 N/mm <sup>2</sup>		ISO 527
Tensile strength	45 ... 65 N/mm <sup>2</sup>		ISO 527
Notched bar impact test	4 ... 20 kJ/m <sup>2</sup>		ISO 180/1C

Thermal properties:	Value:	Test parameters:	Test method:
Continuous application temperature	-50 ... +105°C		PMA DO 9.21-4510
Upper application temperature	+120°C	(20'000 h)	PMA DO 9.21-4360
Short-term	+160°C	(168 h)	PMA DO 9.21-4360

Fire safety properties:	Value:	Test parameters:	Test method:
Fire performance	non flame-propagating		IEC EN 61386-1
Flame class	V0		UL 94

Fire hazard level	HL3		EN 45545-2 (R22)
Oxygen index	> 32 %		EN ISO 4589-2
Smoke density	< 150 Ds max.		EN ISO 5659-2 (25 kW/m <sup>2</sup> )
Toxicity	< 0.75 CIT <sub>NLP</sub>		NF X 70-100-1/-2: (600°C)

Fire hazard level	HL3		EN 45545-2 (R23)
Oxygen index	> 32 %		EN ISO 4589-2
Smoke density	< 300 Ds max.		EN ISO 5659-2 (25 kW/m <sup>2</sup> )
Toxicity	< 1.5 CIT <sub>NLP</sub>		NF X 70-100-1/-2: (600°C)

#### Content of delivery:

- Half-shells

#### Information about NFPA 130:

Table 8.4.1 of NFPA 130 defines categories for the test procedures and performance criteria of materials and assemblies. The BGPMK parts are not included under any category and are therefore not required to be tested. The materials used to fabricate miscellaneous discontinuous parts are exempt from flammability and smoke emission performance requirements where the exposed surface of any individual small part is less than 100cm<sup>2</sup> and where the material does not contribute materially to fire growth. We confirm that the largest surface area of the largest component in this range is 43.55cm<sup>2</sup> and that the material used is rated to UL94 V0 an EN 45545-2 HL3

#### Exposed surface area:

Part no.	Fits BGPM & BGPMR	Part weight	Exposed Surface
black	NW	g	cm <sup>2</sup>
BGPMK-10/7-3	10	2.43	6.35
BGPMK-12/9-5	12	3.23	7.89
BGPMK-17/15-11	17	4.91	11.04
BGPMK-17/12-8	17	5.58	11.95
BGPMK-23/20-16	23	8.44	16.26
BGPMK-23/18-14	23	9.08	17.18
BGPMK-29/25-21	29	11.82	20.68
BGPMK-29/22-18	29	13.3	22.48
BGPMK-36/34-30	36	14.7	26.03
BGPMK-36/31-27	36	16.64	28.63
BGPMK-36/28-24	36	18.52	30.95
BGPMK-48/46-42	48	19.93	33.22
BGPMK-48/43-39	48	22.77	36.94
BGPMK-48/40-36	48	25.46	40.39
BGPMK-48/37-33	48	28.03	43.55

ABB Switzerland Ltd,  
PMA Cable Protection  
Aathalstrasse 90  
8610 Uster, Switzerland  
Phone: +41 58 585 00 11  
pma-info@ch.abb.com  
www.pma.ch

Let's write the future.  
Together. **abb.com**

We reserve the right to make technical changes or modify the contents of this document without prior notice. With regard to purchase orders, the agreed particulars shall prevail. ABB Installation Products Inc. does not accept any responsibility whatsoever for potential errors or possible lack of information in this document.

We reserve all rights in this document and in the subject matter and illustrations contained therein. Any reproduction, disclosure to third parties or utilization of its contents – in whole or in parts – is forbidden without prior written consent of ABB Inc. Copyright© 2019 ABB Installation Products Inc. All rights reserved

