

# Motor-drive mechanisms, type BUE

## Spare parts list

This spare parts list has been compiled to help you with procurement of spares. To obtain trouble-free deliveries you should note a few things which are explained in the following text.

The breakdown level and general contents of this list have been worked out to cover normal customer requests. Our spares sales people will be happy to assist if you require any specific item that is not included in the list.

### Type designation and serial number

The rating plate on the on-load tap-changer shows which type and serial number of the device you are ordering spares for. It is important to have this information, because the manufacture of parts gradually changes as materials and manufacturing technology improves. ABB makes every effort to supply spares that should fit your requirements. Some parts of later manufacture than those you are replacing may need some adaptation to fit into your device. Our spare parts sales people need to know the type designation and serial number to supply exactly what you require.

### Item number

Item numbers are shown on the drawings and lists. As you will observe, one item number is used for several items of the same general type. These items have a specific specification for each and every variant of on-load tap-changer, hence you need to specify type and serial number in addition to the item number to obtain the appropriate spare.

### Name of item

The name should be specified when ordering to make sure the right type of item is ordered.



### Quantity

The figures given represent the number of items included in one on-load tap-changer.

### Remarks

Information pertinent to different variants of the on-load tap-changer is given in this column. Your model should be one of those shown.

### Standard spare parts

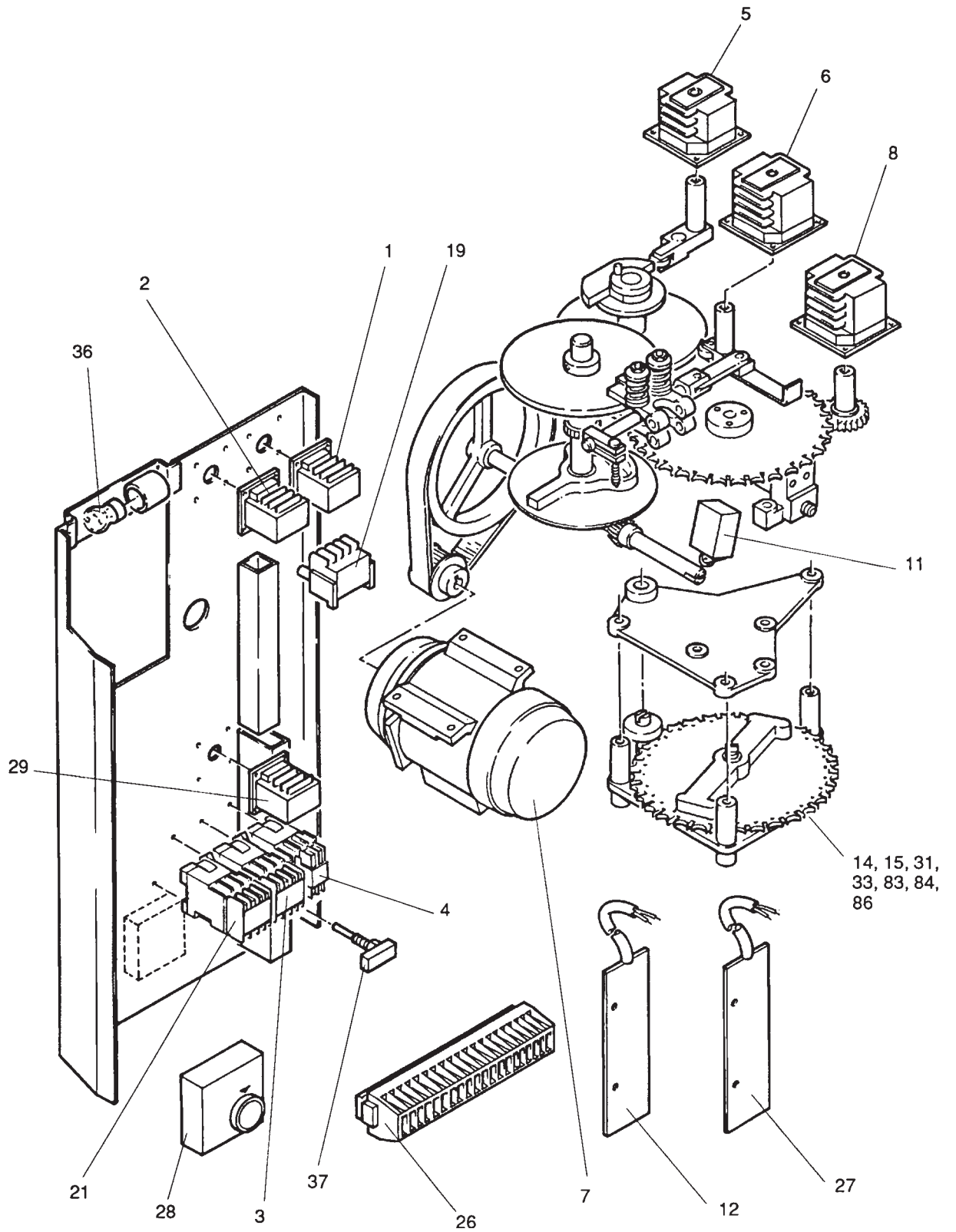
The rugged design of ABB on-load tap-changers means that only the fixed and moving contacts of the selector switch might require replacement during the lifetime of the transformer. This spare parts list tells you the part number of the contacts when ordering for your replacement requirements.

### Special spare parts

If you need parts other than the contacts in the lists, our staff will be happy to assist you. Please use the illustrations in this list as a reference when discussing your requirements. As usual, the type designation and serial number are essential for ordering.

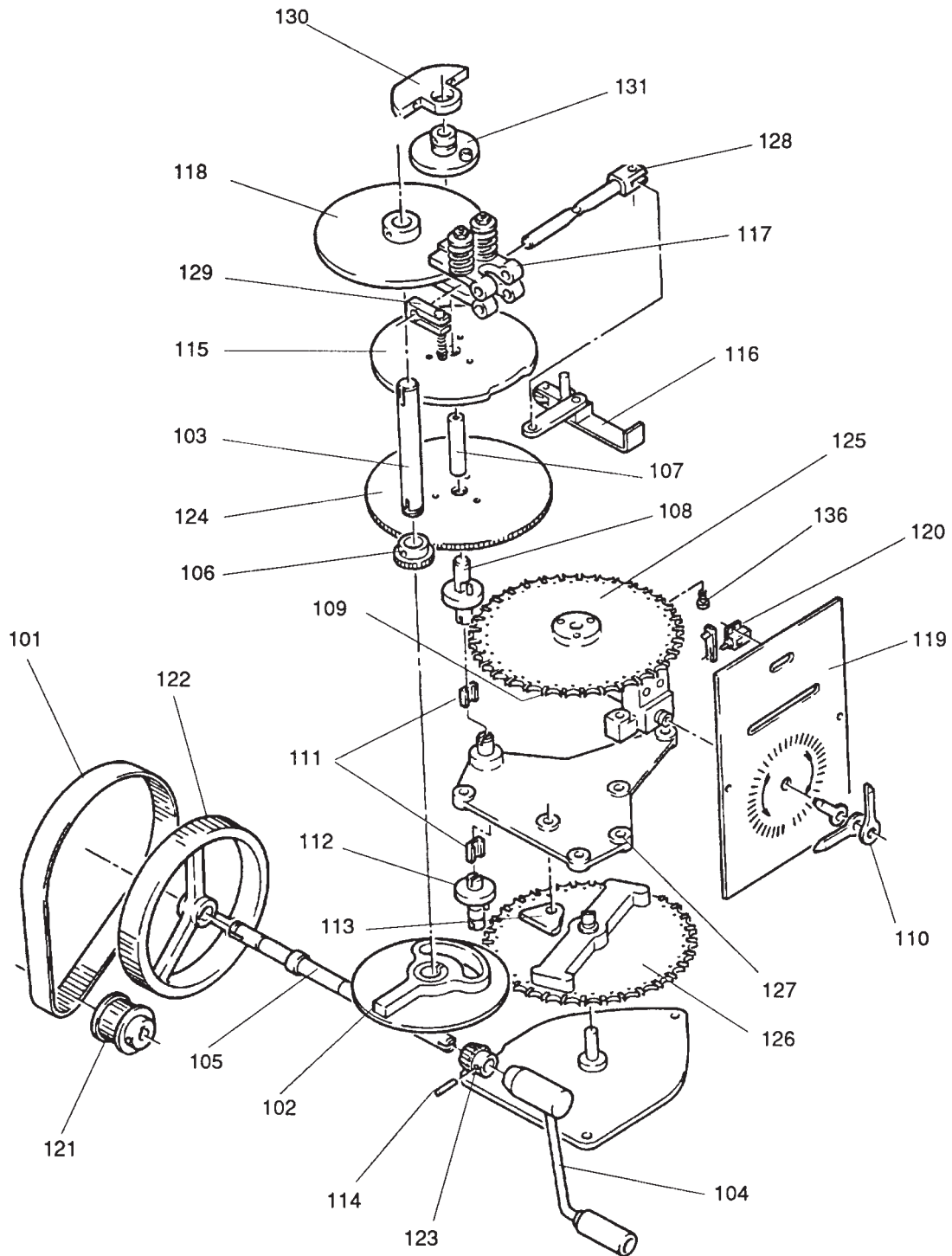
## Electrical details

Item No.	Name of item	Quantity per tap-changer	Remarks
1	Control selector switch	1	
2	Control switch raise/lower	1	
3	Motor contactor	1	Raise
4	Motor contactor	1	Lower
5	Starting contact	1	
6	Maintaining contact	1	
7	Motor	1	
8	Limit switch	1	
11	Interlocking switch	1	
12	Heater 50 W	1	
14	Position transmitter	1	
15	Continuation contact	1	
19	Motor-protective switch	1	
21	Step-by-step contactor	1	
26	Terminal blocks	1	
27	Heater 100 W		
28	Thermostat	1	
29	Switch for heater	1	
31	Tap-changer for current transformer	1	
33	Tap-changer for voltage transformer	1	
36	Lamp for cabinet light	1	
37	Door-operated switch	1	
83	Master switch	1	
84	Follower switch	1	
86	Odd-even switch	1	

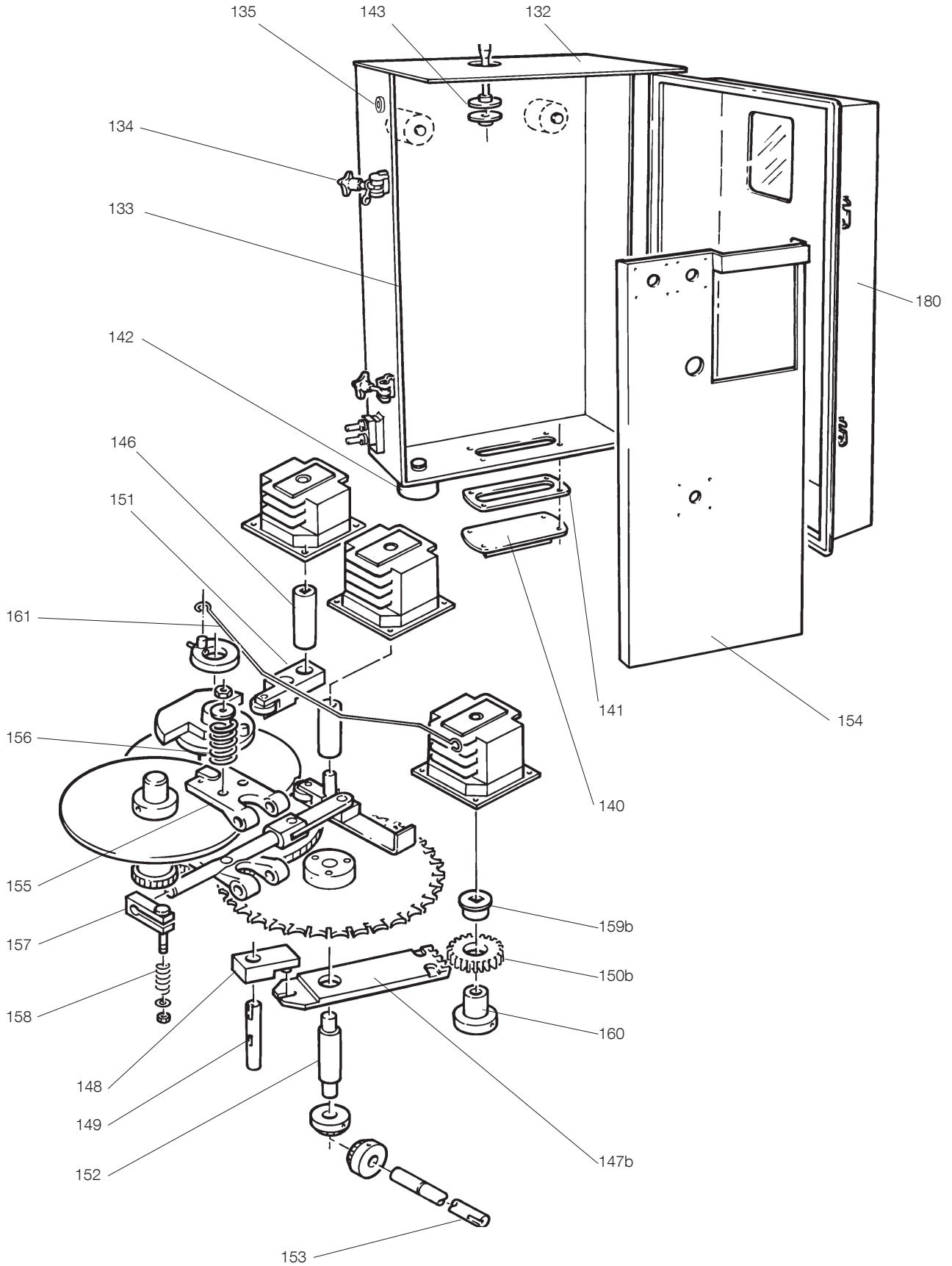


## Mechanical details

Item No.	Name of item	Quantity per tap-changer	Remarks
101	Toothed belt	1	
102	Conical toothed wheel	1	
103	Outgoing shaft	1	
104	Hand crank	1	
105	Operating shaft	1	
106	Gear	1	
107	One turn shaft	1	
108	Geneva drive with shaft	1	
109	Conical toothed wheel	1	
110	Hand for position indication	1	
111	Coupling	1	+1 for each cont. plate
112	Geneva drive with shaft	1	For pot. transmitter
112	Geneva drive with shaft	1	For other cont. device
113	End stop, cam disc	1	
114	Shear pin	1	
115	Cam disc	1	
116	Arm	1	
117	Brake	1	
118	Brake disc	1	
119	Front plate	1	
120	Operation counter	1	
121	Pulley	1	
122	Pulley	1	
123	Conical toothed wheel	1	
124	Cylindrical toothed wheel	1	
125	Geneva wheel	1	
126	Geneva wheel with arm	1	For double contact
127	Contact guide device	1	
128	Cam bar	1	
129	Brake for maintaining contact (item No. 6)	1	
130	Cam disc for starting contact (item No. 5)	1	
131	Driving disc for item No. 130	1	
136	Screw for end stop	1	



Item No.	Name of item	Quantity per tap-changer	Remarks
132	Cabinet	1	For BUE 1
132	Cabinet	1	For BUE 2
133	Gasket for door	1	For BUE 1
133	Gasket for door	1	For BUE 2
134	Hand knob	1	
135	Air vent	1	
140	Cover	1	
141	Gasket	1	
142	Vibration damper	4	
143	Coupling	1	
145	Shaft for maintaining contact (item No. 6)	1	
146	Shaft for starting contact (item No. 5)	1	
147b	Lever	1	
148	Drive	1	
149	Shaft	1	
150b	Toothed wheel	1	
151	Drive	1	
152	Shaft	1	
153	Shaft	1	
154	Panel	1	For DAG motor-switch
155	Brake disc	2	
156	Spring	2	
157	Brake disc	1	
158	Spring	1	
159b	Sleeve	1	
160	Nave	1	
161	Operating wire for operation counter (item No. 120)	1	
180	Door with window	1	For BUE 1
180	Door with window	1	For BUE 2



—  
**ABB AB, Components**  
SE-771 80 Ludvika  
Sweden  
E-mail: [sales@se.abb.com](mailto:sales@se.abb.com)

[www.abb.com/transformercomponents](http://www.abb.com/transformercomponents)

