
TECHNICAL DATA

Fire Alarm Systems

MS2

Indoor Siren 24 V, red, EN 54, Part 3

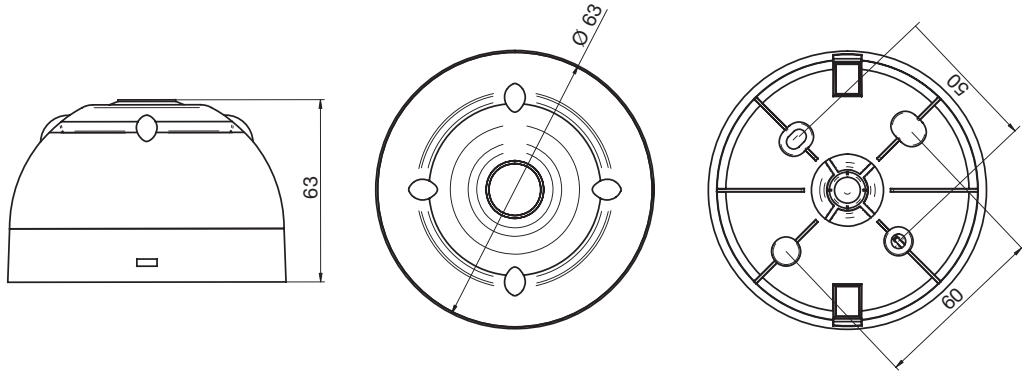


Product description

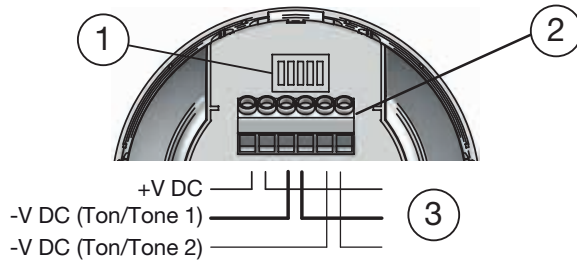
The MS2 indoor siren is approved for fire alarm control panels in accordance with EN54 and VdS. It has a high sound level and low current consumption. It is possible to choose between 32 modes.

A diode is integrated into the siren for the cable monitoring function in ABB fire alarm control panels.

Dimension drawing



Connection

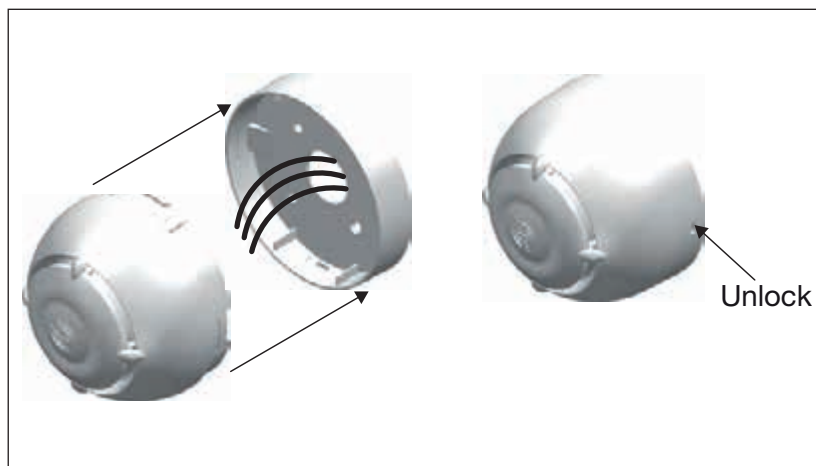


LEGEND

- 1 DIP switches for mode selection (1 ON, 0 OFF)
- 2 Terminal
- 3 To the next siren

Mounting

The signaling device is mounted on the base. To remove the signaling device again, press a screwdriver into the opening on the base and pull off the signaling device at the same.



Selection table

The appropriate mode can be selected using the table and then set using the DIP switches.

DIN mode: connection 1 (row 8).

EN54-3 mode: selection acc. to last column.

NOTE

Mode 2 overwrites mode 1.

							@20 °C		EN54-3
							mA	dB(A)	Min SPL @ 29Vdc @ Max Volume @ Loudest node dB(A)
1	14	11111		800 & 970Hz	2Hz (250ms-250ms)	BS Fire Tone	13	101	*
2	14	11110		800 & 970Hz	7Hz (7/s)	BS Fire Tone	13	102	*
3	14	11101		800 & 970Hz	1Hz (1/s)	BS Fire Tone	13	103	95
4	14	11100		2850Hz	Steady		33	107	*
5	4	11011		2400 - 2850Hz	7Hz		33	111	*
6	4	11010		2400 - 2850Hz	1Hz		33	112	*
7	14	11001		300 - 1200Hz	3s Sweep, 0.5s silence, then repeat	Dutch Fire Tone	14	103	97
8	14	11000		1200 - 500Hz	1Hz	DIN Tone	15	102	94
9	4	10111		2400 & 2850Hz	2Hz (250ms-250ms)		33	107	*
10	14	10110		970Hz	0.5Hz (1s On / 1s Off)		11	101	*
11	4	10101		800 & 970Hz	1Hz (500ms-500ms)	BS Fire Tone	13	101	*
12	4	10100		2850Hz	0.5Hz (1s On / 1s Off)		24	107	*
13	14	10011		970Hz	0.8Hz (250ms On / 1s Off)		6	100	*
14	14	10010		970Hz	Steady	BS Fire Tone	14	100	95
15	14	10001		554 & 440Hz	100ms - 400ms	French Fire Tone	14	102	*
16	16	10000		660Hz	3.3Hz (150ms On / 150ms Off)	Swedish Fire Tone	7	100	*
17	17	01111		660Hz	0.28Hz (1.8s On / 1.8s Off)	Swedish Fire Tone	19	101	*
18	18	01110		660Hz	0.05Hz (13s Off / 6.5Hz On)	Swedish Fire Tone	10	101	*
19	19	01101		660Hz	Steady	Swedish Fire Tone	11	101	*
20	20	01100		554 & 440Hz	0.5Hz (1s On / 1s Off)	Swedish Fire Tone	14	102	*
21	21	01011		660Hz	1Hz (500ms - 500ms)	Swedish Fire Tone	18	101	*
22	14	01010		2850Hz	4Hz (150ms On / 100ms Off)	Pelican Crossing	24	105	*
23	14	01001		800 - 970Hz	50Hz	BS Fire Tone	13	101	*
24	4	01000		2400 - 2850Hz	50Hz		33	110	*
25	25	00111		970Hz	3 x 500ms pulses followed by 1.5s silence	ISO 8201	9	100	*
26	26	00110		800 - 970Hz	3 x 500ms pulses followed by 1.5s silence	ISO 8201	14	103	*
27	27	00101		800 - 970Hz	3 x 500ms pulsed two tone followed by 1.5s silence	ISO 8201	9	100	*
28	10	00100		800 & 970Hz	2Hz (250ms - 250ms)	BS Fire Tone	13	101	*
29	33	00011		990 & 650Hz	2Hz (250ms - 250ms) (Symphoni Tones)	BS Fire Tone	21	103	96
30	35	00010		510 & 610Hz	2Hz (250ms - 250ms) (Squashni Micro Tones)	BS Fire Tone	17	100	92
31	31	00001		300 - 1200Hz	1Hz		15	103	*
32	32	00000		4000Hz	Steady		17	101	*

- (i) Tones certified under the CPD (Fire Alarm Applications) are shown in the column marked EN54-3
- (ii) All other SPL measurements are taken 'on axis' & are not third party verified.
- (iii) Detailed EN54-3 polar SPL measurements are available in M06-009

Technical data	
Voltage range	9 - 28 V DC
Current consumption	6 - 44 mA / 19 mA for DIN mode
Volume	107 dB(A) / 102 dB(A) for DIN mode
Connection terminals	0.28 mm ² - 2.5 mm ² solid
Modes	32
Degree of protection	IP21C
Temperature range	-10 °C to +55 °C
Housing color	Red
Material	ABS (V0)
Height	63 mm
Diameter	63 mm
Weight	0.2 kg
VdS number	G209123
CPD number	0832-CPD-0523
Approval in acc. with	EN54-3

Ordering details					
Device type	Product Name	Order No.	bbn 40 16779 EAN	Weight 1 pc. [kg]	Packaging [pcs.]
MS2	Indoor Siren 24 V, red, EN 54, Part 3	2CDG220022R0011	06733 1	0.24	1

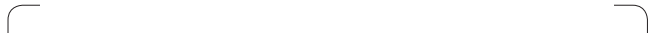


ABB STOTZ-KONTAKT GmbH
Eppelheimer Straße 82
69123 Heidelberg, Germany
Telefon: +49 (0)6221 701 607
Telefax: +49 (0)6221 701 724
E-Mail: knx.marketing@de.abb.com

Further Information and Local Contacts:
www.abb.com/knx

© Copyright 2019 ABB. We reserve the right to make technical changes or modify the contents of this document without prior notice. With regard to purchase orders, the agreed particulars shall prevail. ABB AG does not accept any responsibility whatsoever for potential errors or possible lack of information in this document. We reserve all rights in this document and in the subject matter and illustrations contained therein. Any reproduction, disclosure to third parties or utilization of this contents - in whole or in parts - is forbidden without prior written consent of ABB AG.