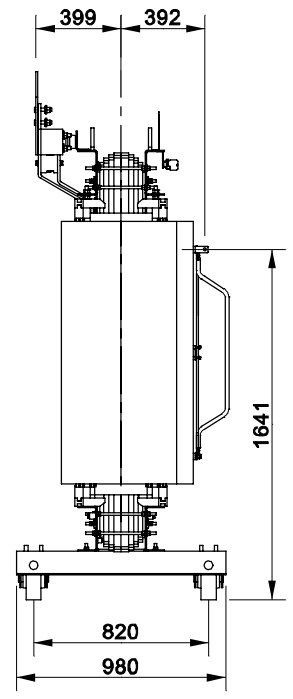
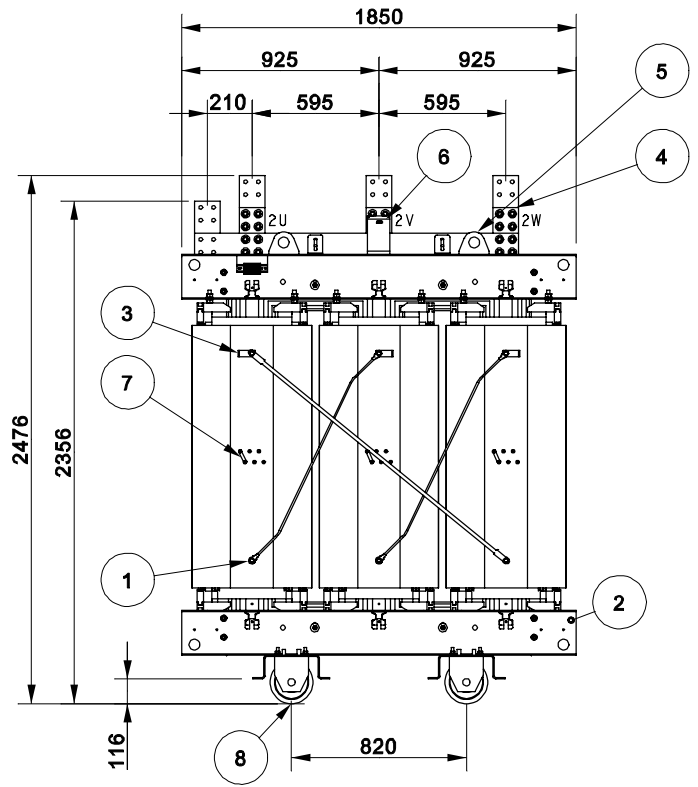
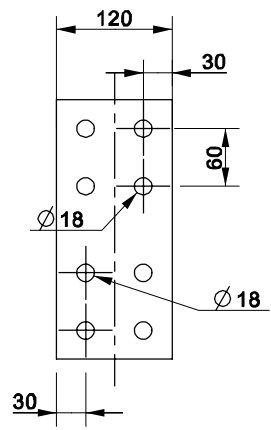


The information contained in this document is to be kept strictly confidential. Any unauthorized use, reproduction, distribution or disclosure is strictly forbidden. © Copyright 2013 ABB. All rights reserved.



DESCRIPTION	
1	CONNECTION BETWEEN PHASES
2	EARTHING TERMINAL
3	H.V. TERMINAL
4	L.V. TERMINAL
5	LIFTING LUG
6	RATING PLATE
7	TAP CHANGER BY LINKS
8	WHEELS Ø200x70

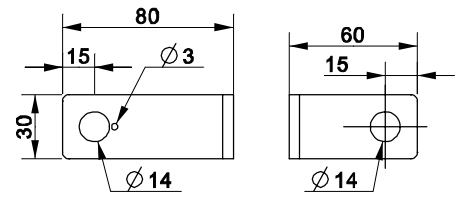
LV TERMINAL 2N-2U-2V-2W



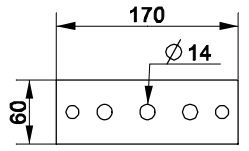
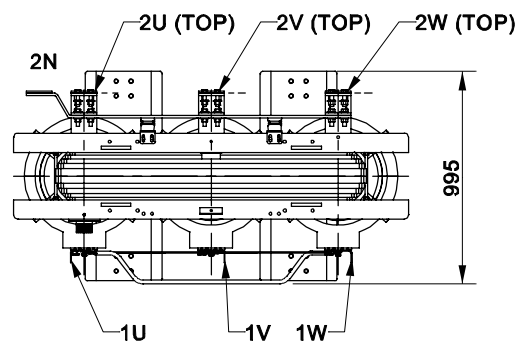
MATERIAL: : COPPER  
THICKNESS: : 10.0 mm

WEIGHT	
TRANSFORMER	3772 kg
ENCLOSURE (IP-00)	0 kg
ACCESORIES	71 kg
<b>TOTAL WEIGHT</b>	<b>3843 kg</b>

HV TERMINAL 1U-1V-1W



MATERIAL: : COPPER  
THICKNESS: : 5.0 mm



EARTHING TERMINAL

TOLERANCES ACCORDING TO ISO 2768V

Zone	Rev.	Description	Date	Approved

Prepared esu01718 08/03/2013	Responsible Department -	Classification		
Approved NONE 08/03/2013	Takeover Department -	Title <b>CUSTOMER DRAWING</b>		
Rev.	Scale 0.040	Mass 3842.8 kg	Based On FA000143	Lang. EN
Document No. <b>1LES251316-CR</b>				Cont. 2
ABB Distribution Transformers				Sheet 1