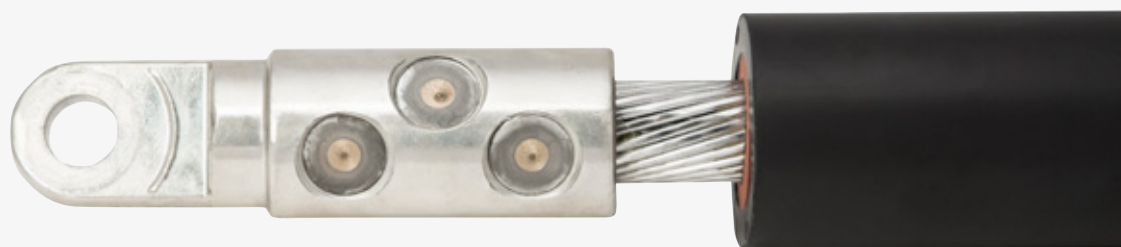


—
PRODUCT BROCHURE

Elastimold[®] advanced connection system (shear bolt)



Elastimold® cable accessories

The Elastimold advanced connection system — shear bolt is the latest solution to be incorporated into the Elastimold portfolio of separable connectors. It's consistent with the system's overall purpose in providing safe, reliable and flexible separable connectors for underground cable.



—
01 Elastimold advanced connection system

—
02 Shear bolt EACT-0750, EACT-1250

—
03 Shear bolt EACT-0300, EACT-0500

Overview

Reliable solution that reduces the likelihood of human error. Bolt heads shear off at the right torque with a standard wrench. Leaves a smooth, flush finish with no protruding edges.

- Simplifies and speeds installations. Only a standard wrench is needed; no dies or pneumatic tools.
- Only four range-taking shear bolt connectors are needed to accommodate multiple wire sizes #2 AWG to 1250 kcmil.
- Applicable for 600 amp and 900 amp current rating.
- Compatible with aluminum and copper conductors.

Applications

Shear bolt connectors are available in a range-taking selection of four sizes, which substantially reduces the chance of accidentally installing the wrong connector.

- IEEE 386 separable connectors.
- 600/900 Amp elbow connectors, vault stretchers and straight receptacles from 15 kV up to 35 kV.
- Aluminum or copper conductors.
- Cables from #2 AWG to 1250 kcmil.

Installation

Installation with a standard wrench and no additional components, as well as easy shearing at the correct torque, make the Elastimold advanced connection system — shear bolt quickly installed to save time and resources.

- The circuit must be de-energized before installation.
- Brush conductor to break up the oxide layer.
- Fully insert conductor into barrel.
- Torque bolts steadily with tool until head shears off, beginning with bolt farthest from the connector head and working up.
- Follow detailed instructions provided along the product.

Benefits

Safety

- Improves installation ergonomics, eliminating the use of heavy tools.

Reliability

- Meets IEEE 386 latest revision.
- No filing or extra components needed.
- Electro tin plated.
- Lubricated with special grease.
- The head will always shear off at the required torque.
- Special design with grooves for an optimal contact.

Flexibility

- Compatible with Elastimold T-body, vault stretcher and straight receptacles.
- Range taking in each connector.
- Installation using a standard wrench and socket.
- Designed and tested for use on both aluminum and copper conductors.
- Self-centering rings for lower diameter conductor for each connector.

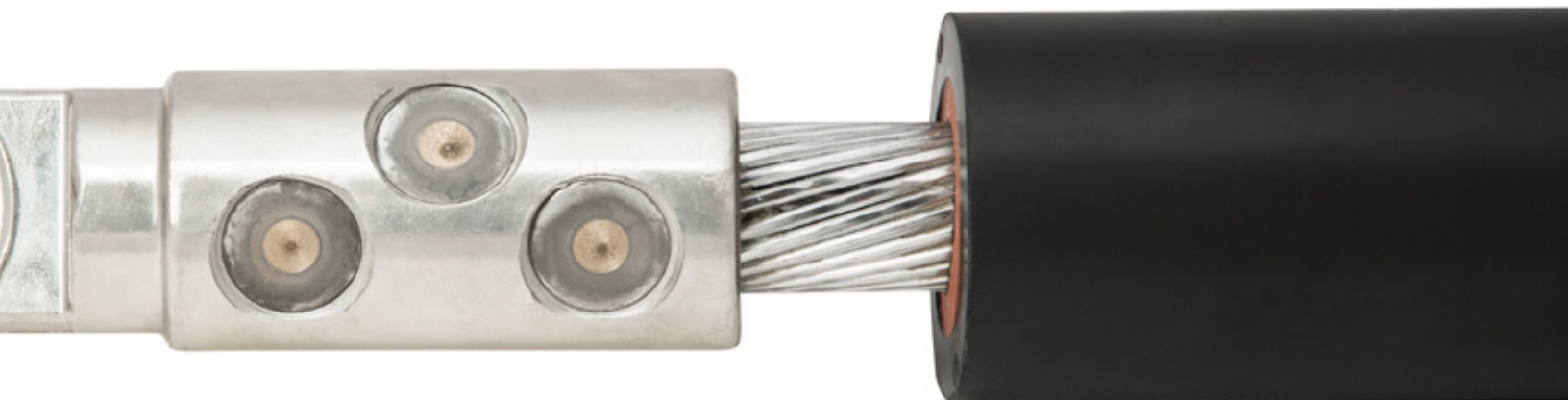
—
Leaves a smooth finish that fits flush against the body of the connector — no sharp edges.





Stand-alone shear bolt connectors

Conductor size (AWG or kcmil)	A		B		C		D		Part number	Drawing
	in.	mm	in.	mm	in.	mm	in.	mm		
#2-300	1.18	30	4.13	105	1.42	36	0.689	17.5	EACT-0300	
4/0-500	1.3	33	4.67	118.5	1.42	36	0.689	17.5	EACT-0500	
350-750	1.65	42	5.83	148	1.42	36	0.689	17.5	EACT-0750	
750-1250	2.05	52	6.1	155	1.38	35	0.689	17.5	EACT-1250	



Ordering information

Option T-body

	K67	6	LR	W Code	XXX Code
Voltage indicator					
600 A 15/25 kV	K65				
600 A 35 kV	75				
900 A 15/25 kV	K67				
900 A 35 kV	77				
Test point indicator					
No test point	5				
With test point	6				
Kit type					
Elbow (with insulating plug, cap, stud lug and cable adapter)		LR			
Direct test elbow (with insulating plug, cap, stud lug and cable adapter)			DLR		

Cable adapter sizing for 15/25 kV

Table W7

Cable insulation dia. range

Cable insulation diameter in inches		Cable insulation diameter in millimeters		Symbol for W
min.	max.	min.	max.	
0.42	0.66	10.7	16.8	D
0.53	0.68	13.5	17.3	E
0.64	0.82	16.3	20.8	F
0.76	0.95	19.3	24.1	G
0.85	1.05	21.6	26.7	H
0.98	1.18	24.9	30	J
1.09	1.31	27.7	33.3	K
1.18	1.465	30	37.2	L
1.28	1.43	32.5	36.3	LM
1.37	1.63	34.8	41.4	M
1.55	1.78	39.4	45.2	N
1.725	1.935	43.8	49.1	P

Cable adapter sizing for 35 kV

Table W9

Cable insulation dia. range

Cable insulation diameter in inches		Cable insulation diameter in millimeters		Symbol for W
min.	max.	min.	max.	
0.76	0.95	19.3	24.1	G
0.85	1.05	21.6	26.7	H
0.98	1.18	24.9	30	J
1.09	1.31	27.7	33.3	K
1.18	1.465	30	37.2	L
1.37	1.63	34.8	41.4	M
1.515	1.78	38.5	45.2	N
1.725	1.935	43.8	49.1	P
1.9	2.12	48.3	53.8	Q
2.115	2.235	53.7	56.8	R



01

Connector sizing

Table X

AWG or kcmil

Stranded/
compressed/
solid/compact

Code

#2	AC01		
#1			
1/0			
2/0			
3/0			
4/0	AC02		
250			
300			
350			
400			
450	AC03		
500			
550			
600			
650			
700	AC04		
750			
800			
900			
1000			
1250			

LR and DLR kit contains

- 1 Elbow connector housing
- 1 Shear bolt lug
- 1 Stud
- 1 Insulated plug with cap
- 3 Tubes, lubricant
- 1 Cable adapter

01 T-body 600 amp LR kit

Catalog number selection

Step 1

- Select voltage class and ampacity
- Select the option of capacitive test point (with our without)
- Select the kit type

Step 2 (W)

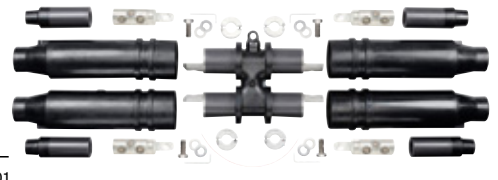
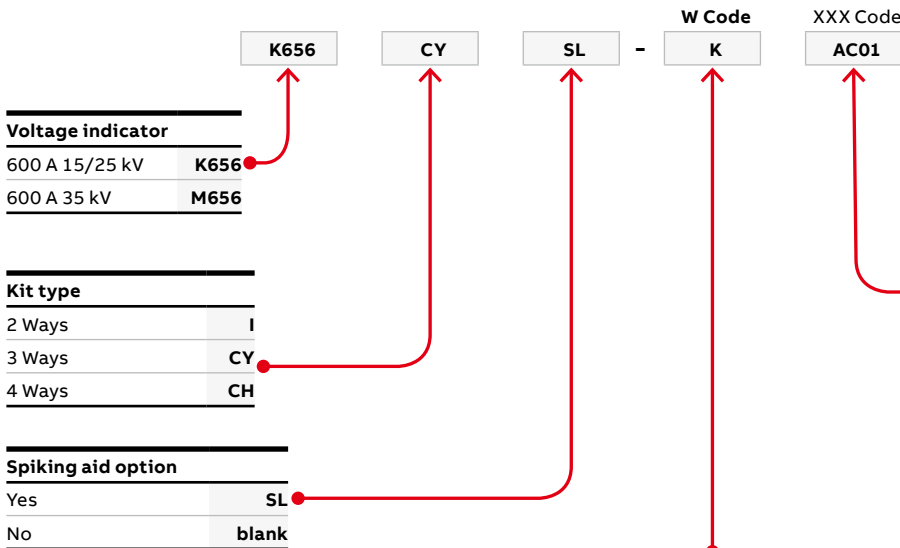
- According to the voltage class, select the right code for W; for 15/25 kV system use table W7 and for 35 kV use table W9

Step 3 (X)

- Choose the proper shear bolt lug code according to the conductor size from the conductor code table
- Insert the code into catalog number

Ordering information

Separable cable joints



Cable adapter sizing for 15/25 kV

Table W7

Cable insulation diameter in inches		Cable insulation diameter in millimeters		Symbol for W
min.	max.	min.	max.	
0.42	0.66	10.7	16.8	D
0.53	0.68	13.5	17.3	E
0.64	0.82	16.3	20.8	F
0.76	0.95	19.3	24.1	G
0.85	1.05	21.6	26.7	H
0.98	1.18	24.9	30	J
1.09	1.31	27.7	33.3	K
1.18	1.465	30	37.2	L
1.28	1.43	32.5	36.3	LM
1.37	1.63	34.8	41.4	M
1.55	1.78	39.4	45.2	N
1.725	1.935	43.8	49.1	P

Cable adapter sizing for 35 kV

Table W9

Cable insulation diameter in inches		Cable insulation diameter in millimeters		Symbol for W
min.	max.	min.	max.	
0.76	0.95	19.3	24.1	G
0.85	1.05	21.6	26.7	H
0.98	1.18	24.9	30	J
1.09	1.31	27.7	33.3	K
1.18	1.465	30	37.2	L
1.37	1.63	34.8	41.4	M
1.515	1.78	38.5	45.2	N
1.725	1.935	43.8	49.1	P
1.9	2.12	48.3	53.8	Q
2.115	2.235	53.7	56.8	R

Connector sizing

Table X

AWG or kcmil	Code			
Stranded/ compressed/ solid/ compact				
#2	AC01			
#1				
1/0				
2/0				
3/0		AC02		
4/0				
250				
300				
350			AC03	
400				
450				
500				
550				AC04
600				
650				
700				
750				
800				
900				
1000				
1250				

—
01 4 Ways
compact H

Catalog number selection

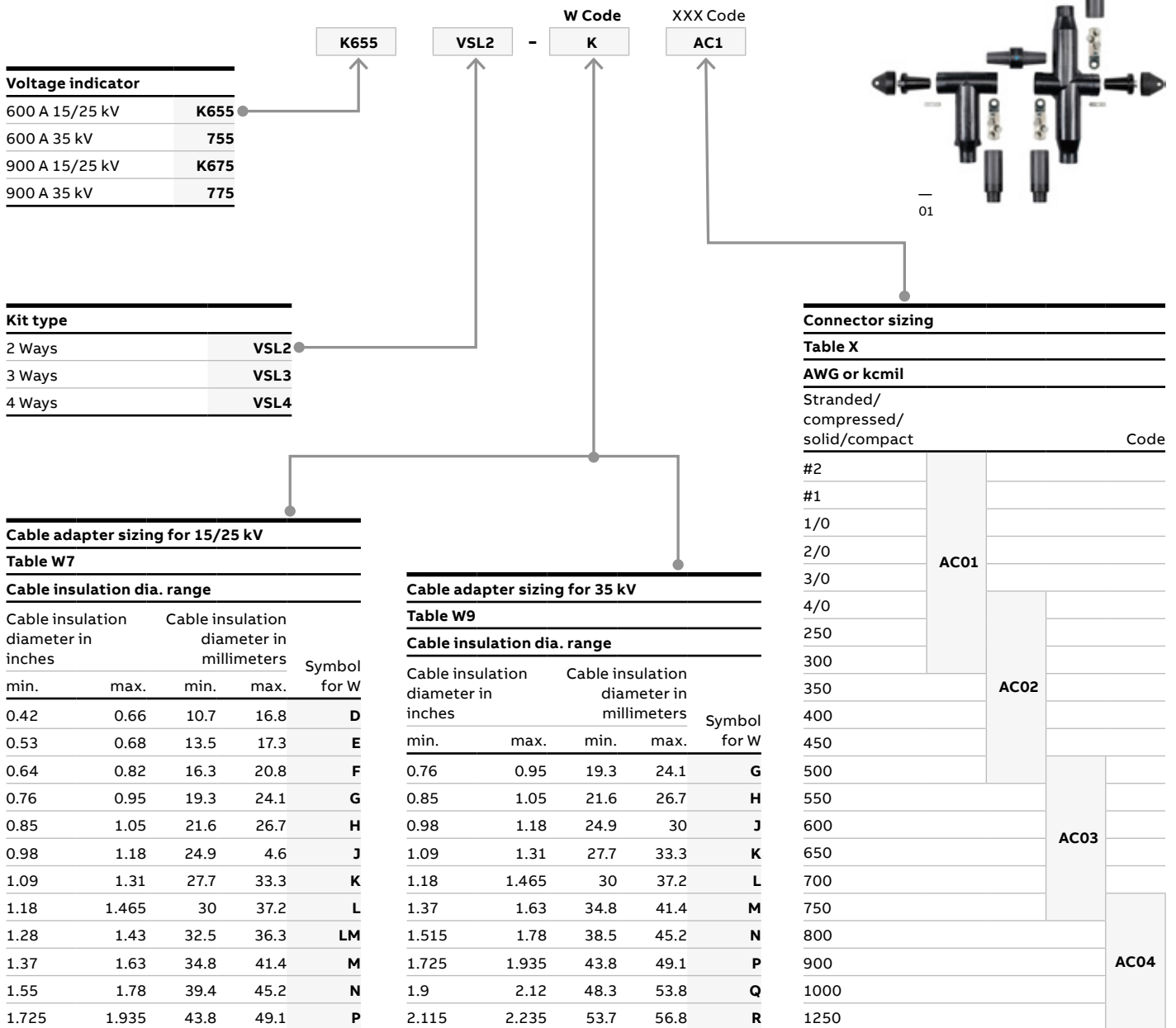
- Step 1**
- Select voltage class
 - Select the kit type
 - Select spiking aid option
- Step 2 (W)**
- According to the voltage class, select the right code for W; for 15/25 kV system use table W7 and for 35 kV use table W9
- Step 3 (X)**
- Choose the proper shear bolt lug code according to the conductor size from the conductor code table
 - Insert the code into catalog number

Each bus bar kit contains

	2 Ways	3 Ways	4 Ways
Bus housing	"I"	"CY"	"CH"
Straight receptacle	2	3	4
Aluminum shear bolt	2	3	4
Adapter retaining ring	2	3	4
Cable adapter	2	3	4

Ordering information

Vault stretcher



01 Stacked vault stretcher 3 ways kit

Catalog number selection

Step 1

- Select voltage class and ampacity
- Select the kit type

Step 2 (W)

- According to the voltage class, select the right code for W; for 15/25 kV system use table W7 and for 35 kV use table W9

Step 3 (X)

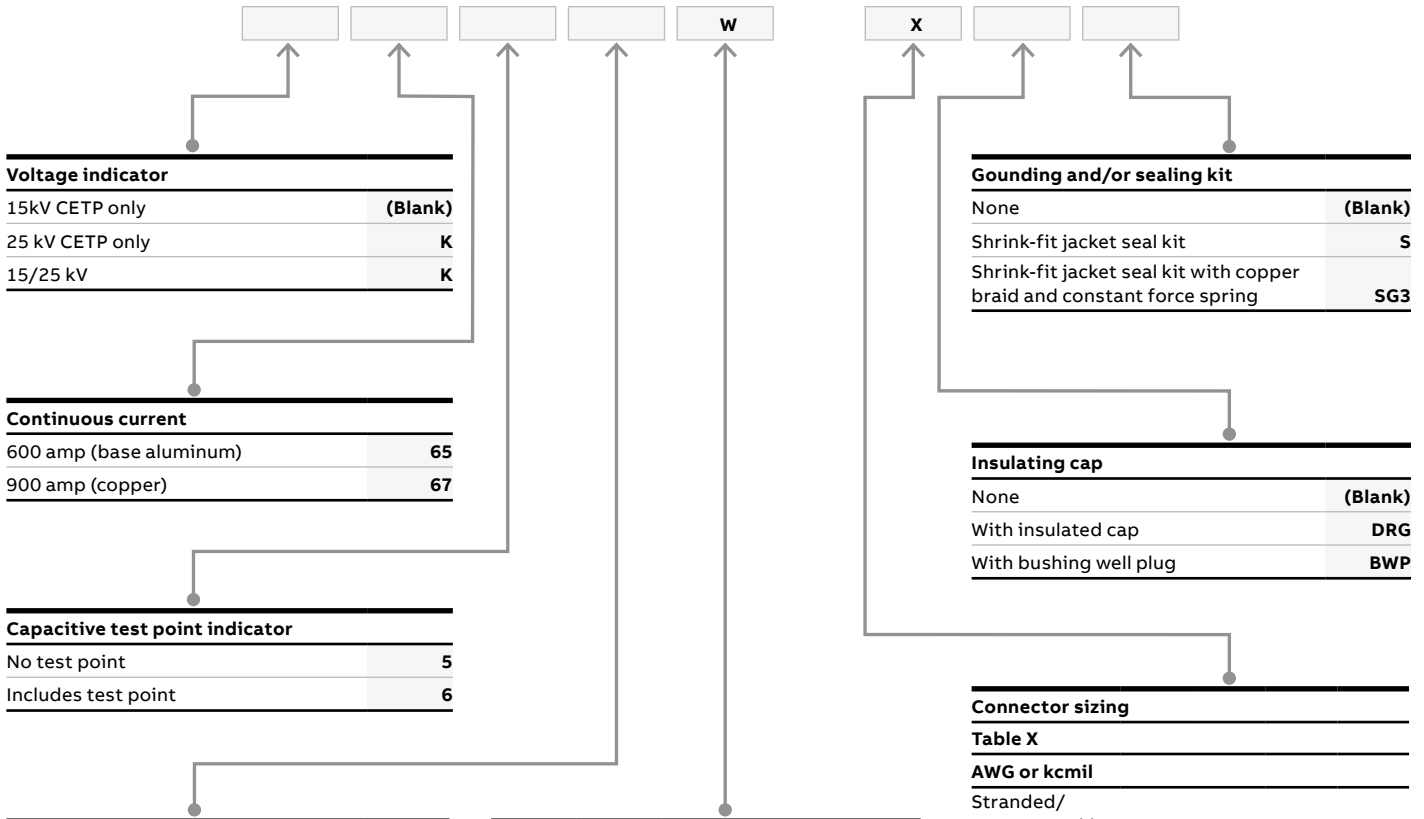
- Choose the proper shear bolt lug code according to the conductor size from the conductor code table
- Insert the code into catalog number

Each vault stretcher kit contains

	2 Ways	3 Ways	4 Ways
Valut stretcher housing	1	1	2
T-body housing		1	
Aluminum shear bolt	2	3	4
Connecting plug		1	1
Cable adapter	2	3	4
Insulated plug	2	2	2

Ordering information

ComboT



Kit type	
Basic ComboT elbow reducing tap plug with stud	BCETP
ComboT elbow reducing tap plug with stud, cable adapter, lug and insulated cap kit	CETP
Basic ComboT connecting plug with stud	BCCP
ComboT connecting plug with stud, cable adapter and lug kit	CCP
Basic ComboT bushing well with stud	BCBW
ComboT bushing well with stud, cable adapter and lug kit	CBW

Cable adapter sizing for 15/25 kV

Table W7					
Cable insulation dia. range					
Cable insulation diameter in inches		Cable insulation diameter in millimeters		Symbol for W	
min.	max.	min.	max.		
0.42	0.66	10.7	16.8	D	
0.53	0.68	13.5	17.3	E	
0.64	0.82	16.3	20.8	F	
0.76	0.95	19.3	24.1	G	
0.85	1.05	21.6	26.7	H	
0.98	1.18	24.9	4.6	J	
1.09	1.31	27.7	33.3	K	
1.18	1.465	30	37.2	L	
1.28	1.43	32.5	36.3	LM	
1.37	1.63	34.8	41.4	M	
1.55	1.78	39.4	45.2	N	
1.725	1.935	43.8	49.1	P	

Connector sizing	
Table X	
AWG or kcmil	
Stranded/ compressed/ solid/ compact	Code
#2	AC01
#1	
1/0	
2/0	
3/0	AC02
4/0	
250	
300	
350	AC03
400	
450	
500	
550	AC04
600	
650	
700	
750	
800	
900	
1000	
1250	

01 ComboT



01



ABB Inc.

Electrification Products
860 Ridge Lake Blvd.
Memphis, TN 38120

Customer Service: 800-816-7809

solutions.abb/cable-accessories-apparatus