

# Emax - Tmax

DOC. N.° 1SDH000529R0642 - L2770

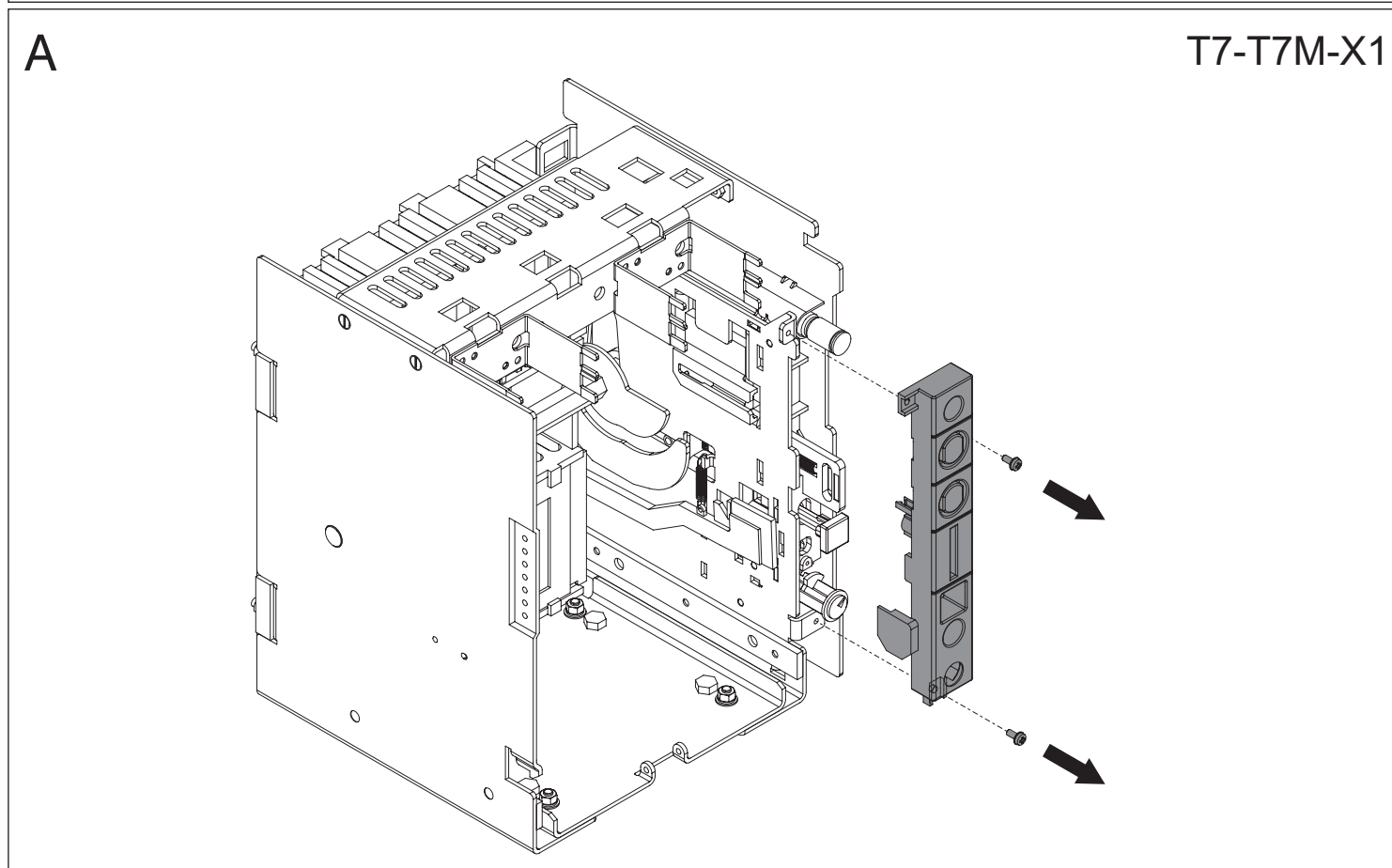
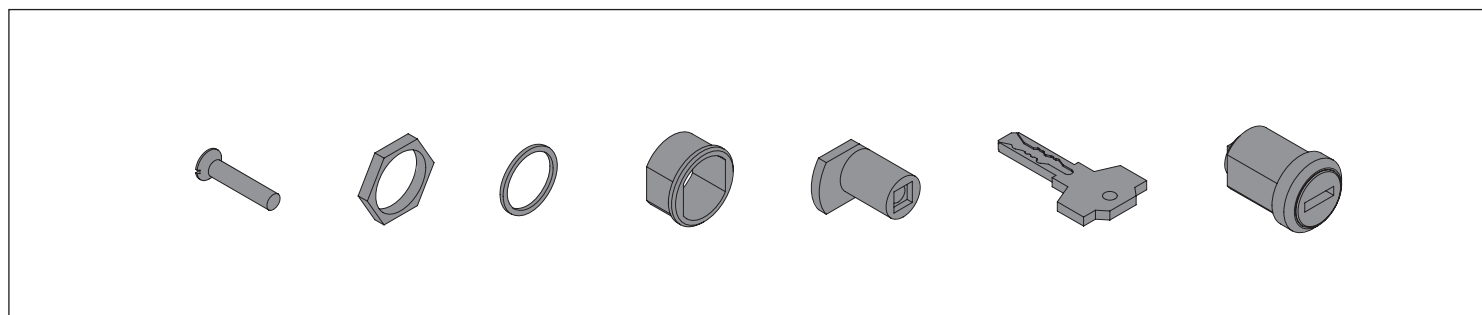
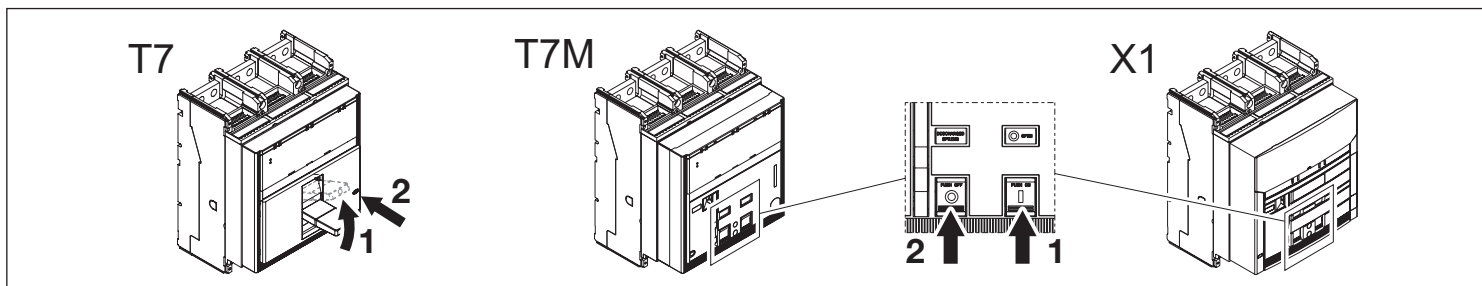
KLF-FP - Blocco a chiave inserito/sezionato per PF T7-T7M-X1

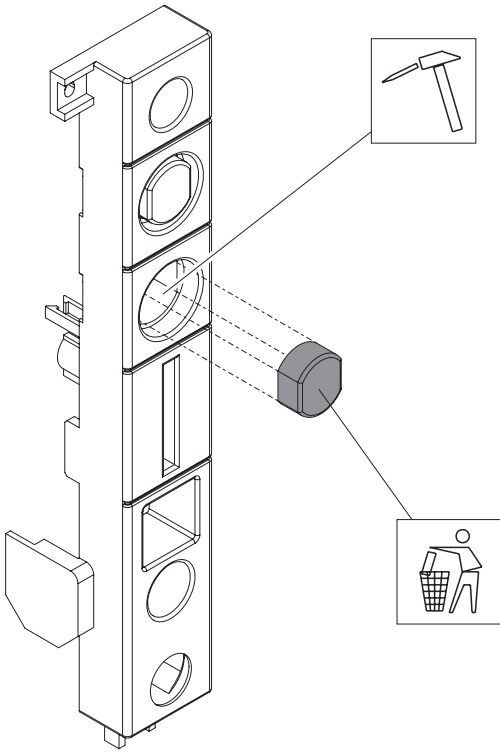
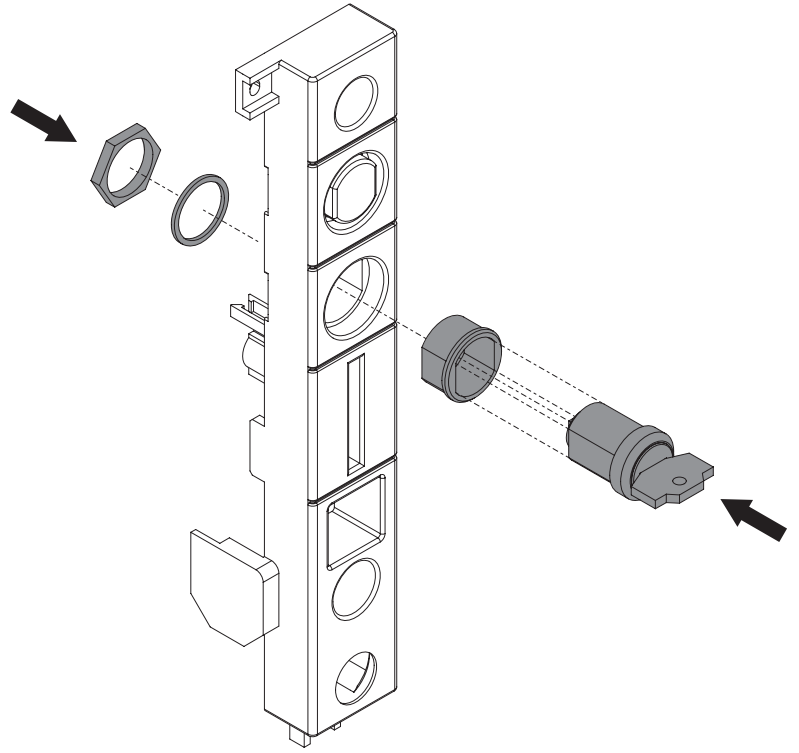
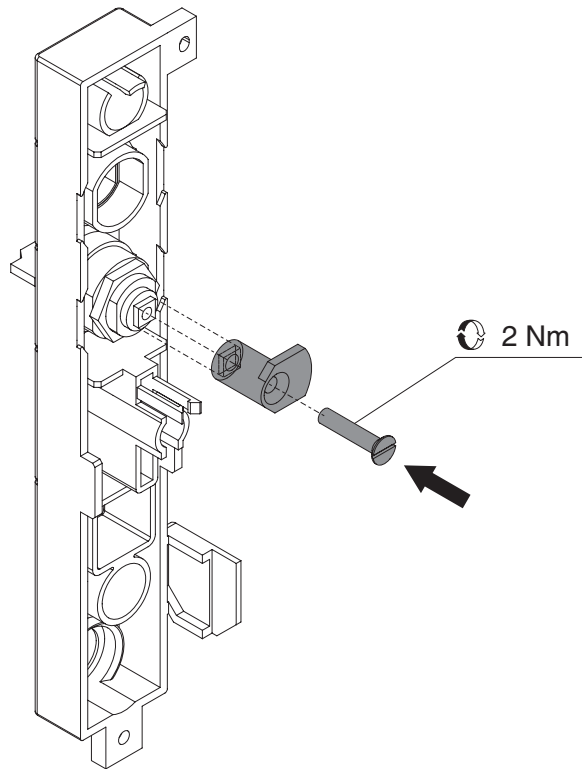
KLF-FP - key lock for locking in racked in/isolated position for FP T7-T7M-X1

KLF-FP - Schlüsselverriegelung in Betriebsstellung/Trennstellung für U T7-T7M-X1

KLF-FP - Verrouillage par clé embroché/sectionné pour FP T7-T7M-X1

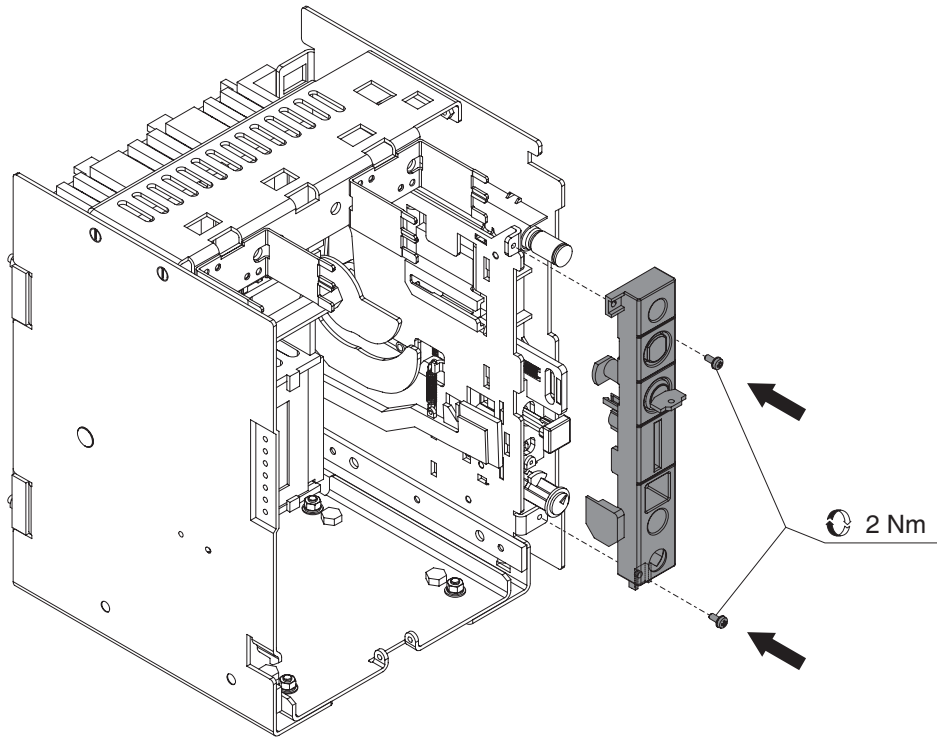
KLF-FP - Bloqueo con llave insertado/seccionado para FP T7-T7M-X1



**B****T7-T7M-X1****C****T7-T7M-X1****D****T7-T7M-X1**

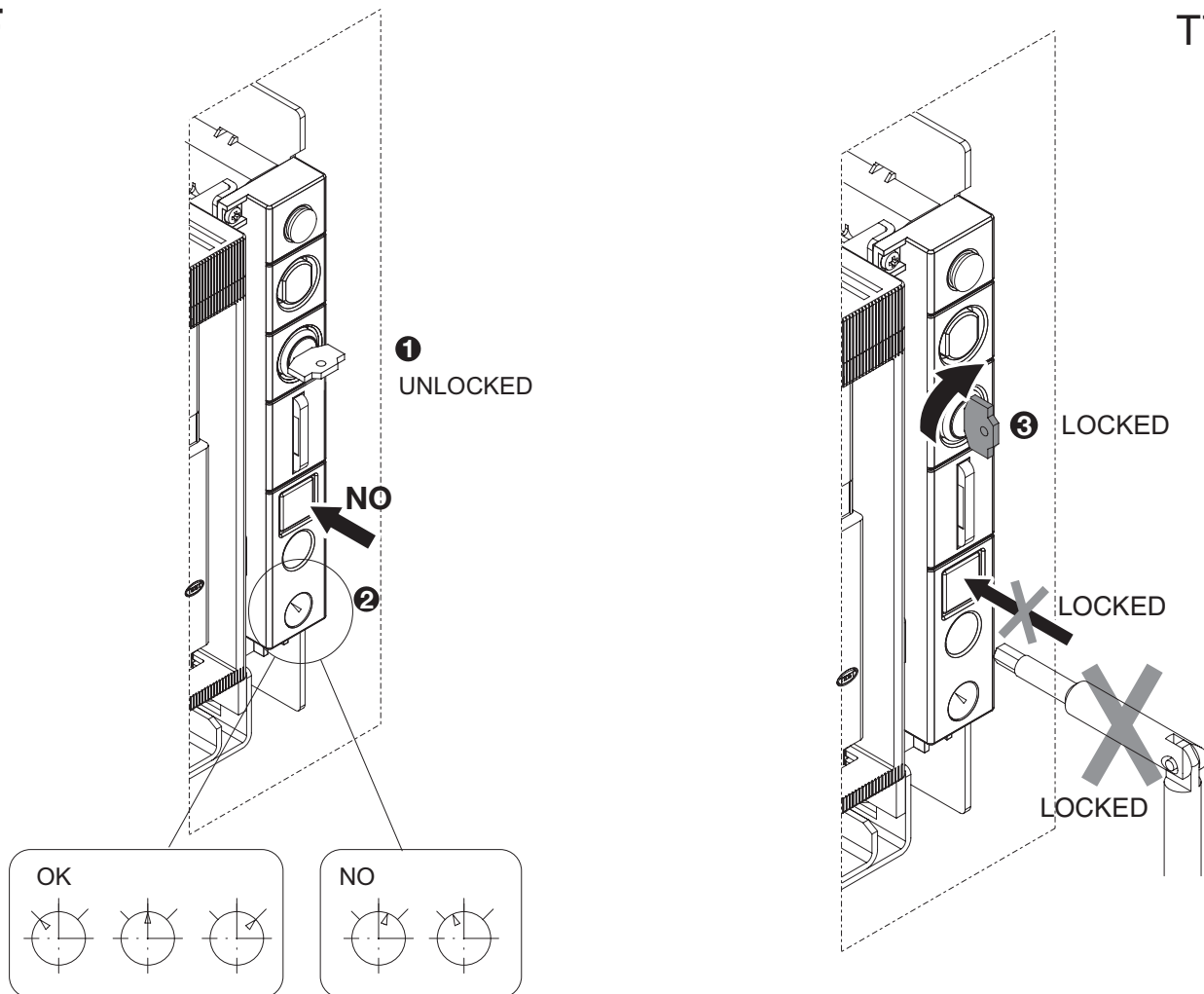
E

T7-T7M-X1



F

T7-T7M-X1



**ABB**

**ABB SACE S.p.A.**

Via Baioni, 35  
24123 Bergamo Italy

Tel.: +39 035 395.111 - Telefax: +39 035 395.306-433

<http://www.abb.com>