

—
INSTALLATION INSTRUCTION

Switch fuses

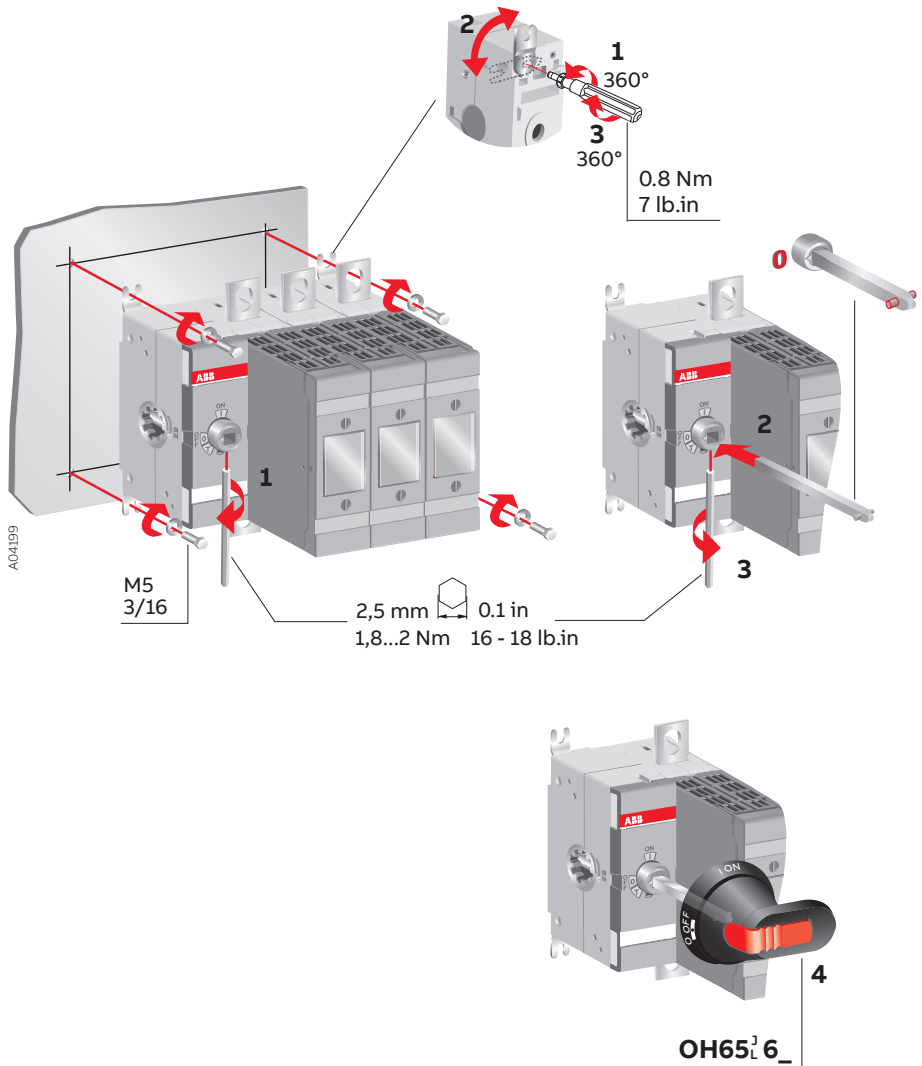
OS100G-160G



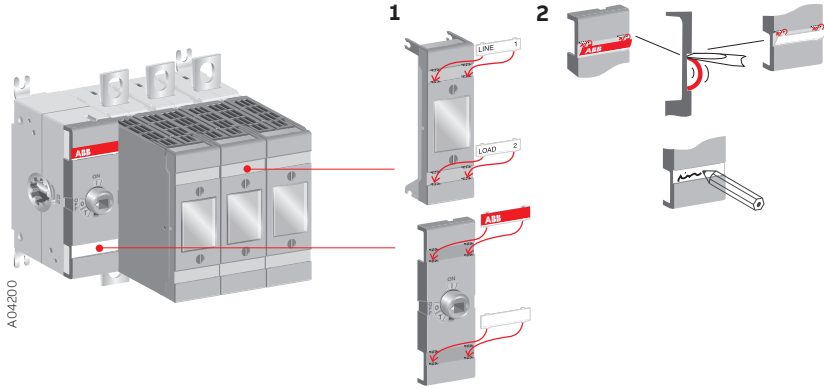
Table of contents

03	Installation
04	Labels Clearances per UL98
05	Terminal shrouds OSS_
06	Terminal clamps OZX_
07	Fuse links
08	Auxiliary contacts OA_
09	Fourth pole OSP_
10	Direct mount handle OSV_
11	Neutral link OS_N3, OXN250
12	Electronic fuse monitor OFS_
13	Module for aux contacts OEA28_
14	Interlocking OSZT1_
15	Blown fuse indicator, DPMM_, OS/OSM125GF_
16	DIN rail mounting kit OSGZD1
17-22	Dimension drawings
23	Warning sheet

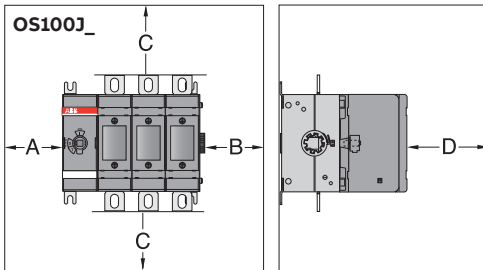
Installation



Labels



Clearances per UL98



Minimum enclosure size or equivalent volume

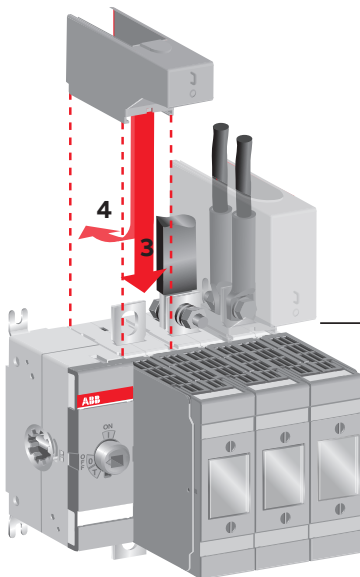
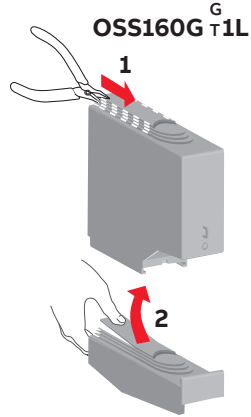
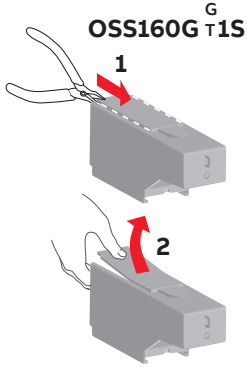
Height	Width	Depth
300 mm	350 mm	200 mm
12 in	14 in	8 in

A	B	D
0	13 mm / 0.5 in	13 mm / 0.5 in

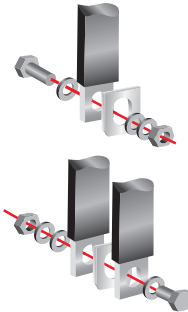
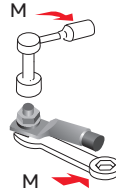
AWG	C
14-8	38 mm 1.5 in
6	51 mm 2 in
4-1	100 mm 4 in
1/0	125 mm 5 in
2/0	150 mm 6 in

Terminal shrouds

OSS_



M8 15...22 Nm 133-195 lb.in

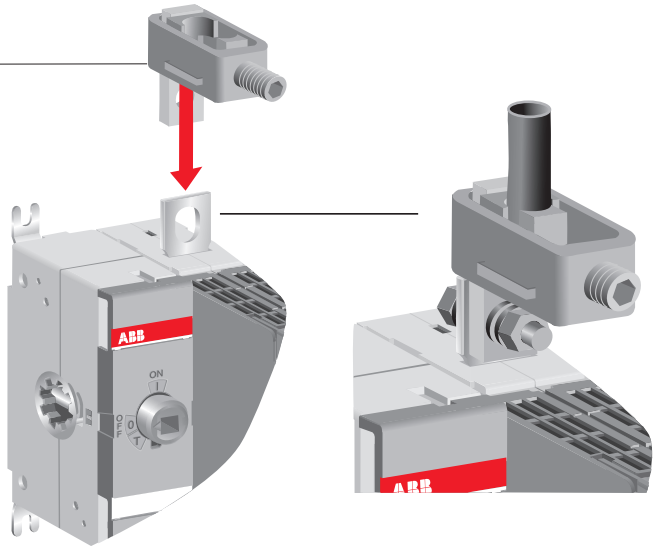


Terminal clamps

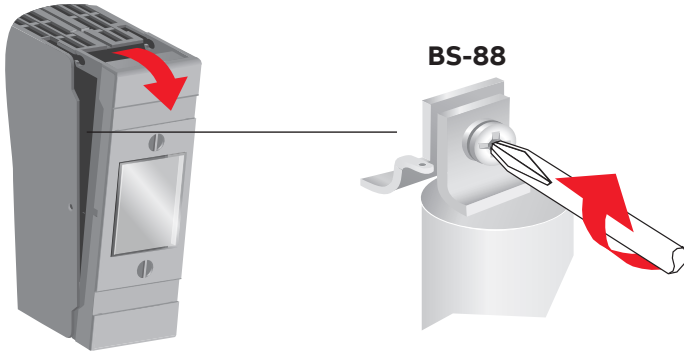
OZX_

OS125-160GD
OS100-200GB
OS125GF
OZXB1L
OZXB8
OZXR70
OZXP95

OS100GJ
OZXA-24



Fuse links



BS-88

BS-88 and UL Class J

M5: 3,5 Nm, 31 lb.in

M6: 4 Nm, 35 lb.in

M8: 5 Nm, 44 lb.in

DIN NH



UL Class J

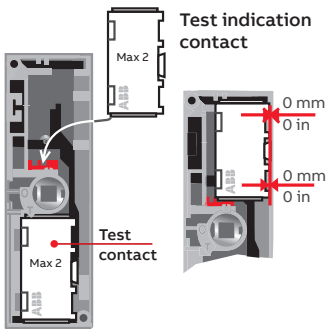
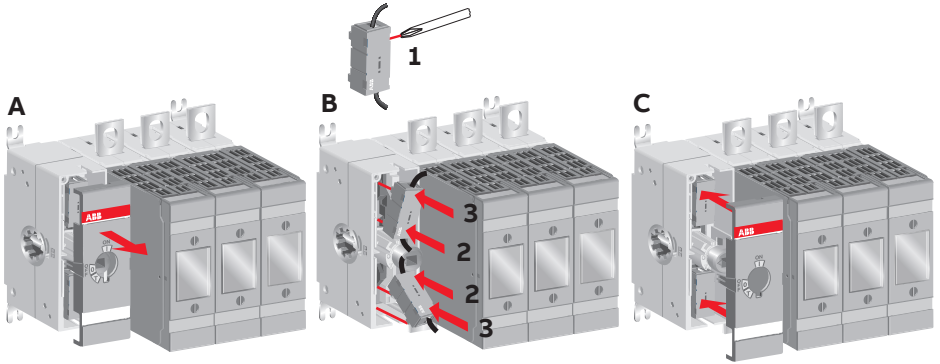


NFC

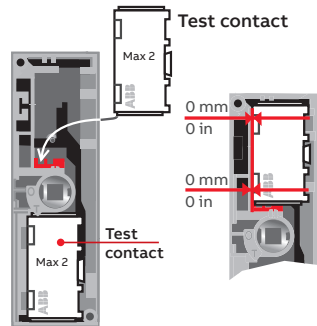


Auxiliary contacts

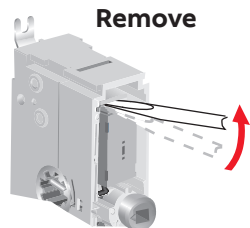
OA_



or

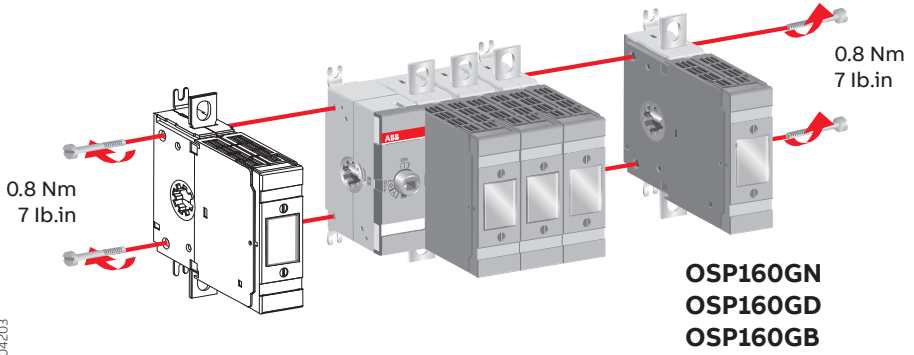


NO: OA1G10
NC: OA3G01



Fourth pole

OSP_



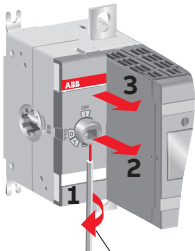
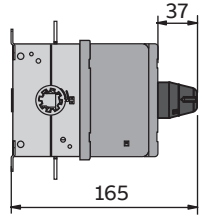
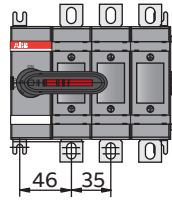
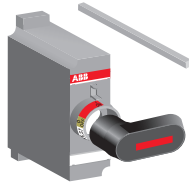
S04203

Direct mount handle

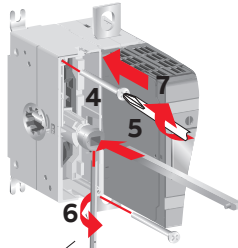
OSV_

OS125-160GD
OS100-200GB
OS125GF
OSV200BK

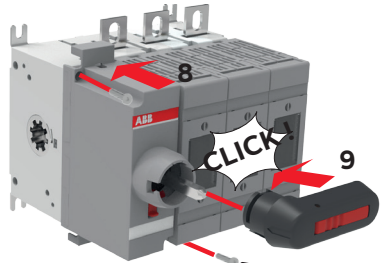
OS100GJ
OSV250DK



2,5 mm 0.1 in
1,8...2 Nm 16 - 18 lb.in

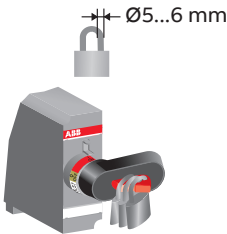


0,8 Nm

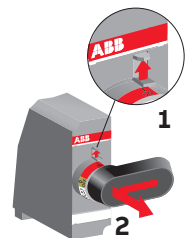


0,8 Nm

Note:
Use protection against
direct contact.
For example:

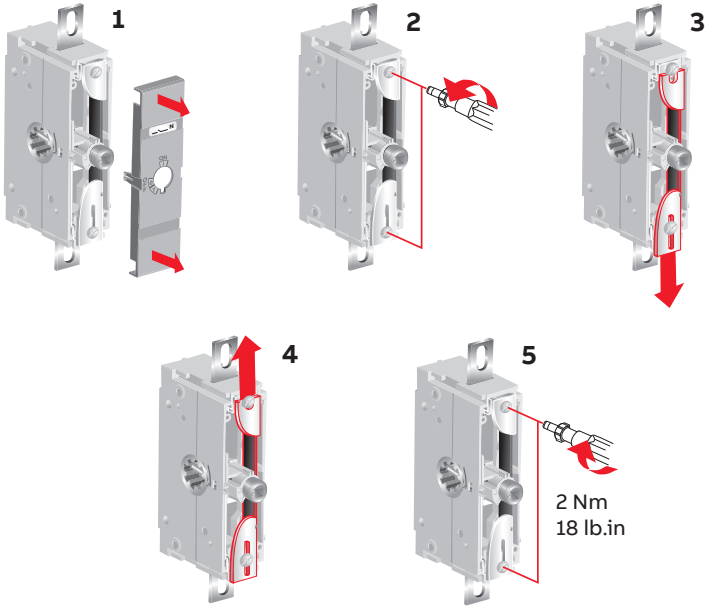


Remove



Neutral link

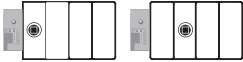
OS_N3, OXN250



Electronic fuse monitor

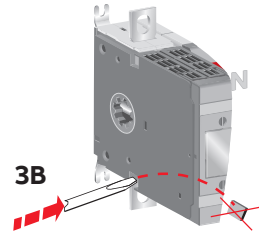
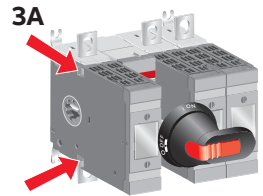
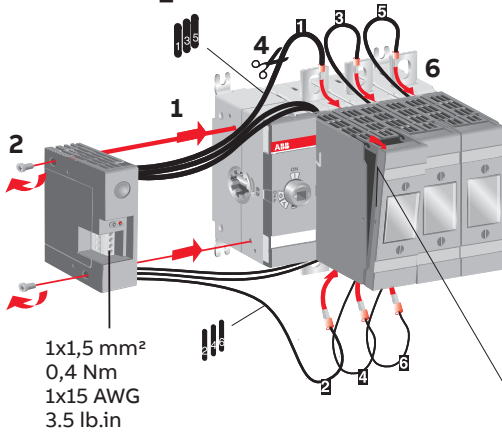
OFS_

OFS_+OS100G-160G

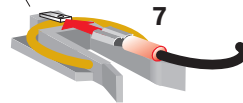
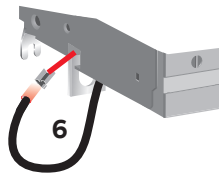
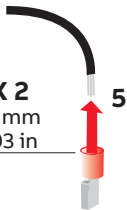


OS100G-160G_03_04
OS100GJ03_04

OS100G-160G_12_22
OS100GJ12_22

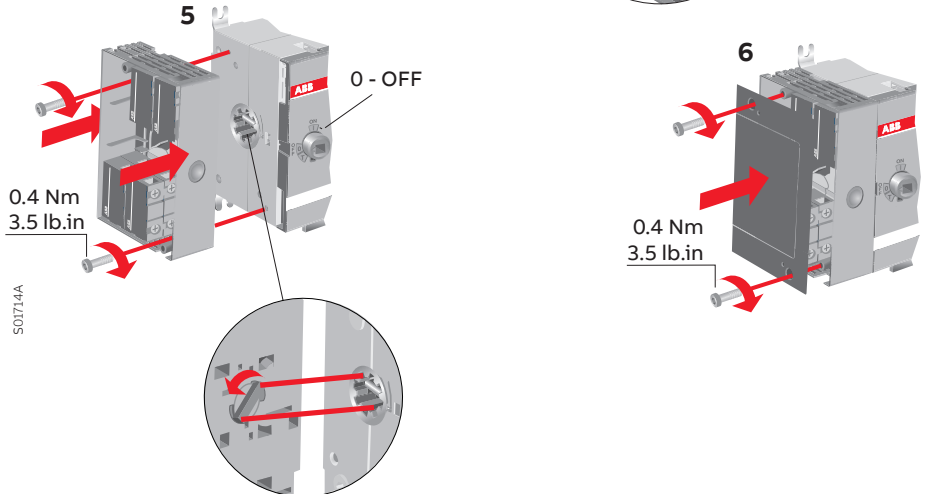
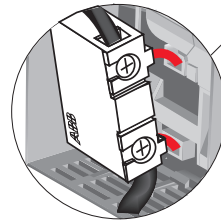
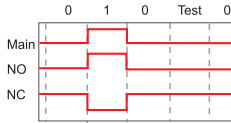
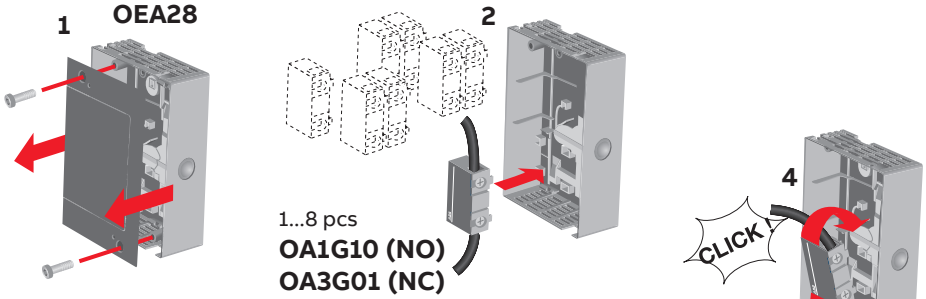


OFMZX 2
2,8 x 0,8 mm
0.11 x 0.03 in



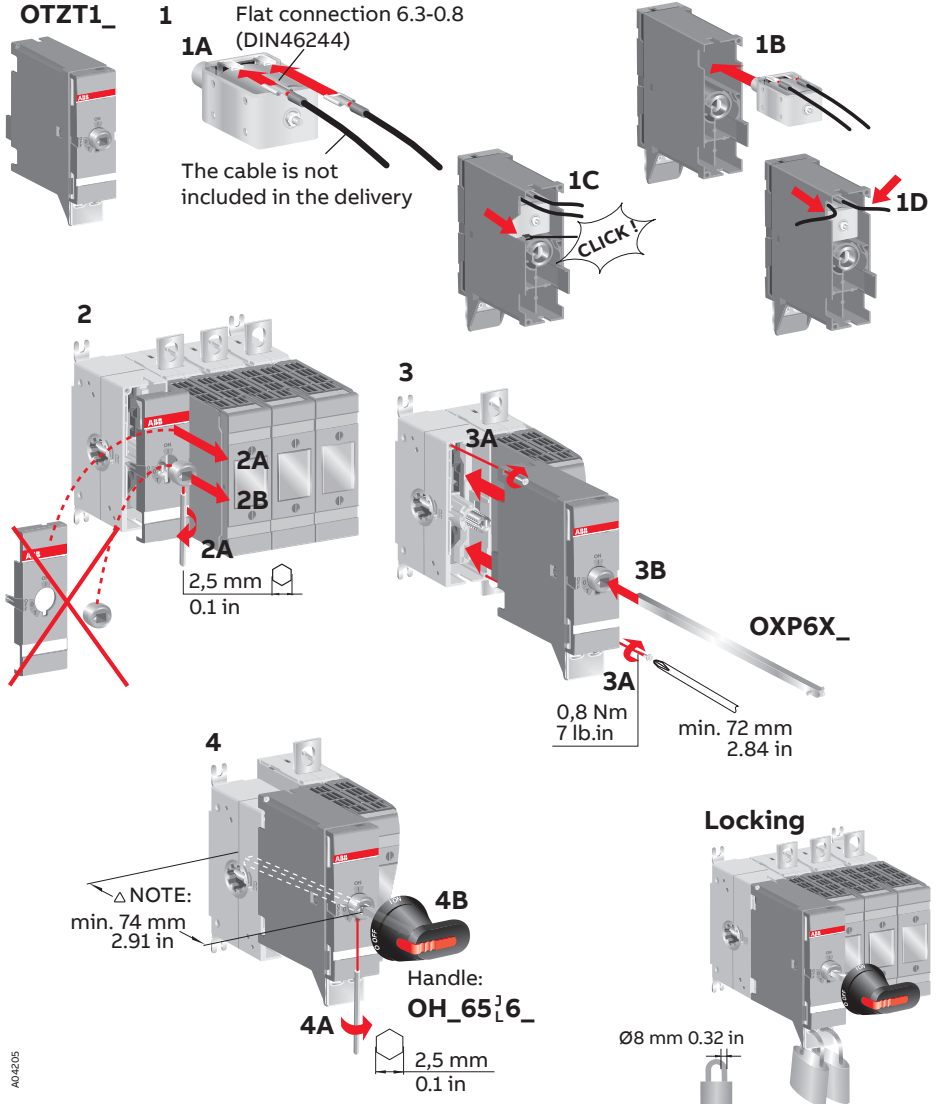
Module for aux contacts

OEA28_



Interlocking

OSZT1_

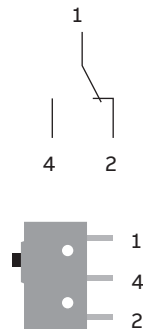
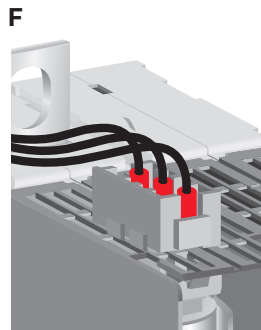
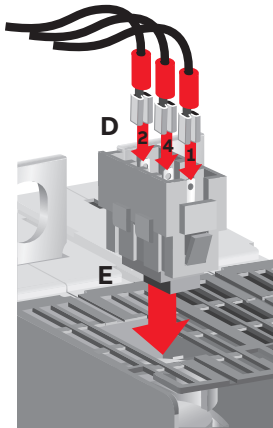
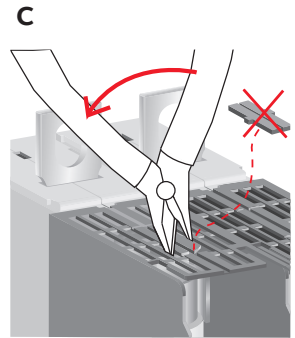
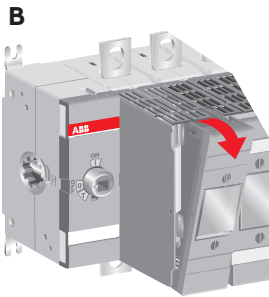
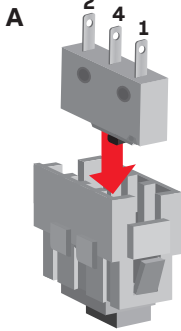


Blown fuse indicator

DPMM_

OS/OSM125GF_

OSGD125P3
OSGD125P4

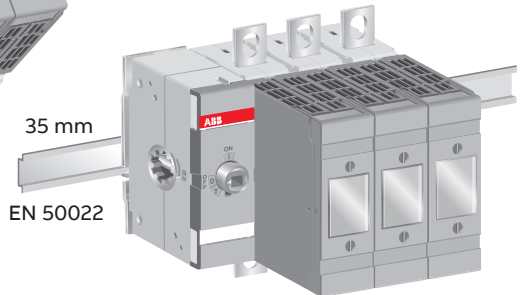
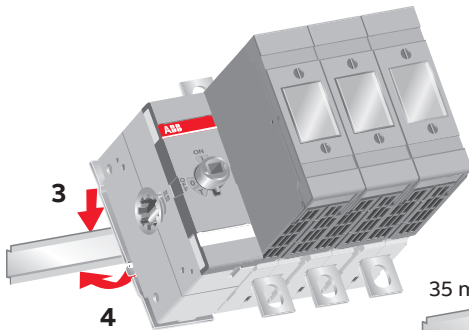
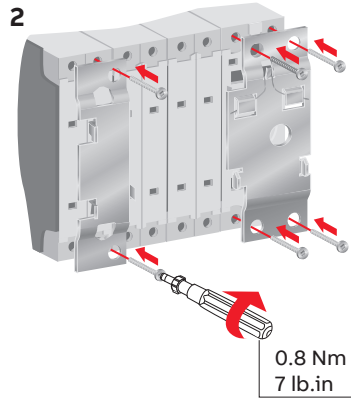
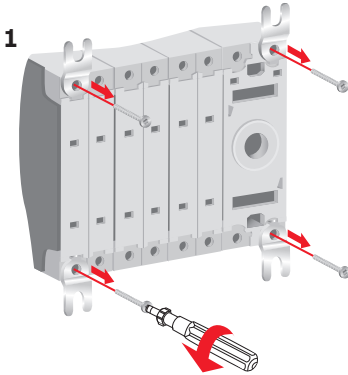


DIN rail mounting kit OSGZD1

1 pole

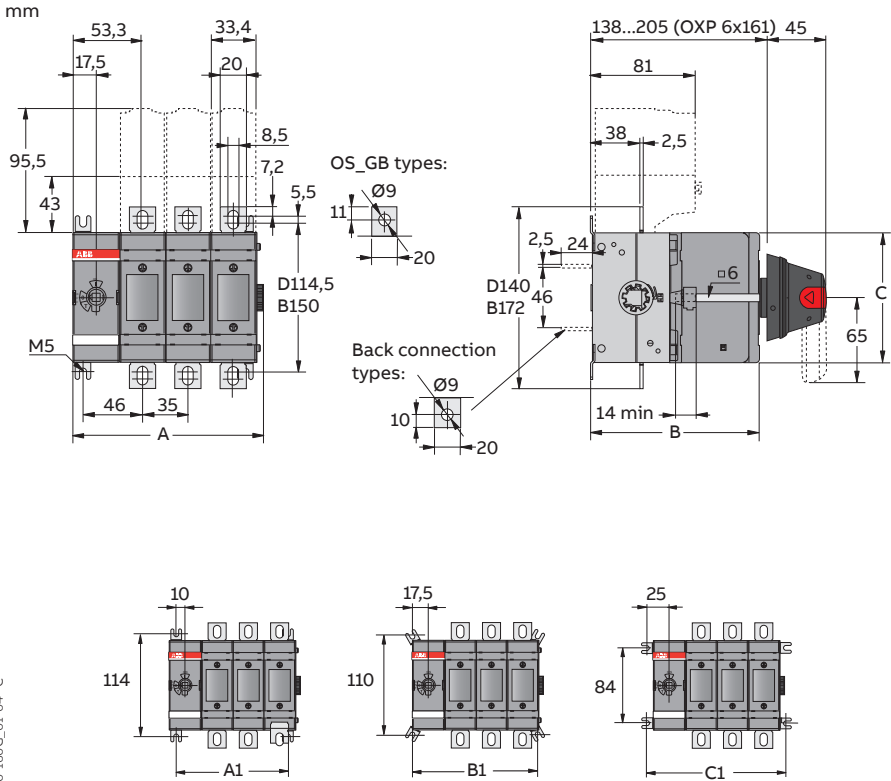


2-4 pole



Dimension drawings

OS100-160G01-04



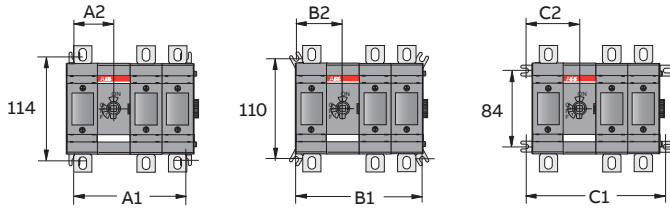
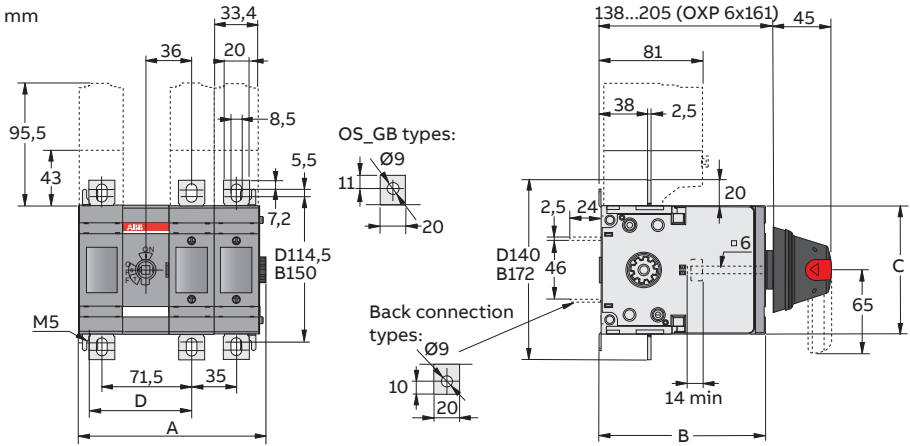
M00289/OS100-160G_01-04 C

OS100-160G_ OS200GB_

	D/F01	D/F02	D/F03	D/F04	B01	B02	B03	B04
A	76,5	111,5	146,5	181,5	76,5	111,5	146,5	181,5
B	130	130	130	130	114,5	114,5	114,5	114,5
C	100	100	100	100	118	118	118	118
A1	55	90	125	160	55	90	125	160
B1	70	105	140	175	70	105	140	175
C1	85	120	155	190	85	120	155	190

Dimension drawings

OS100-160G11-22



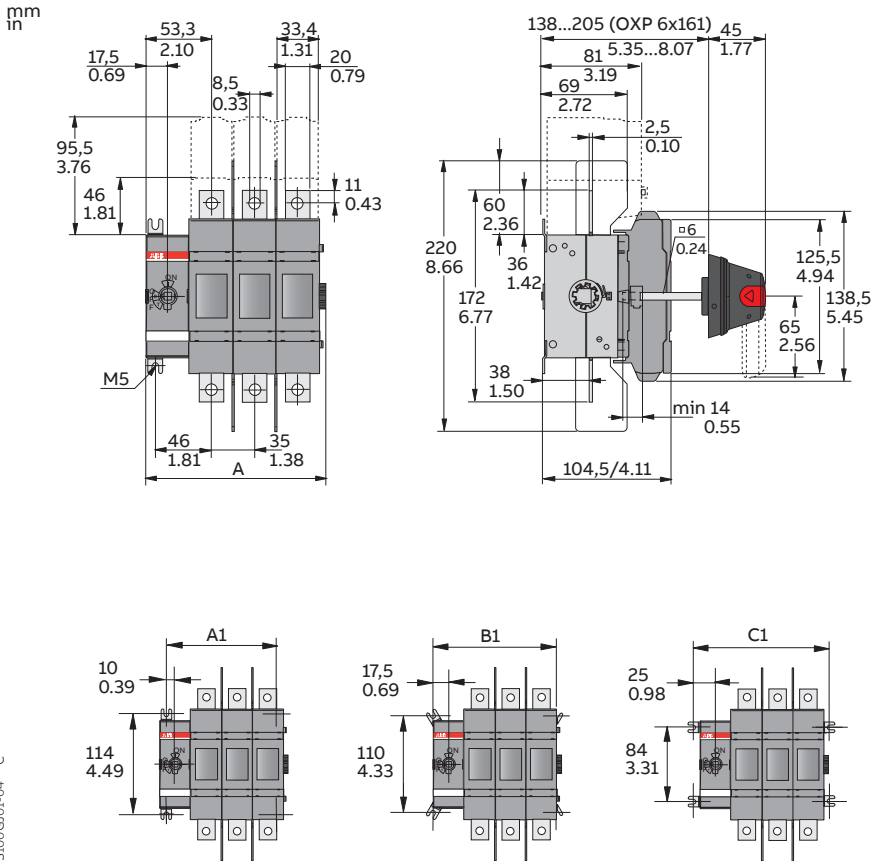
M00290/OS100-160G_11-22_C

OS100-160G_ OS200GB_

	D/F11	D/F12	D/F13	D/F22	B11	B12	B13	B22
A	113	148	183	183	113	148	183	183
B	130	130	130	130	114,5	114,5	114,5	114,5
C	100	100	100	100	118	118	118	118
D	81	81	81	116	81	81	81	116
A1	90	125	160	160	90	125	160	160
A2	45	45	45	80	45	45	45	80
B1	105	140	175	175	105	140	175	175
B2	52,5	52,5	52,5	87,5	52,5	52,5	52,5	87,5
C1	120	155	190	190	120	155	190	190
C2	60	60	60	95	60	60	60	95

Dimension drawing

OS100GJ01-04



M00291/OS100GJ01-04 C

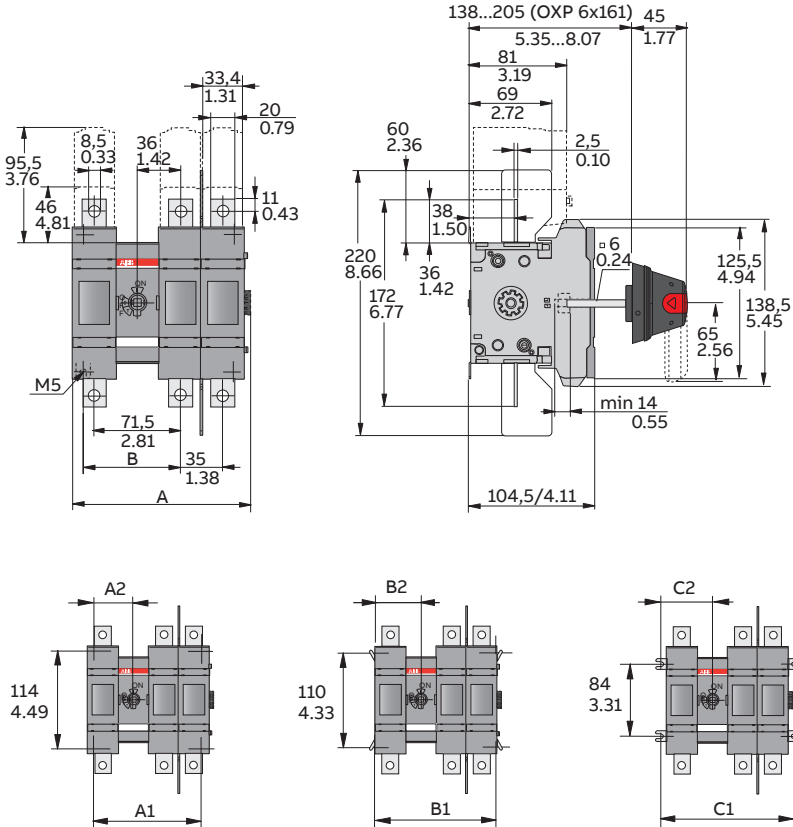
OS100GJ

	J01	J02	J03	J04
A	76,5/3.01	111,5/4.39	146,5/5.77	181,5/7.15
A1	55/2.17	90/3.54	125/4.92	160/6.30
B1	70/2.76	105/4.13	140/5.51	175/6.89
C1	85/3.35	120/4.72	155/6.10	190/7.48

Dimension drawing

OS100GJ11-22

mm
in



M00292/OS100GJ11-22 C

OS100GJ_

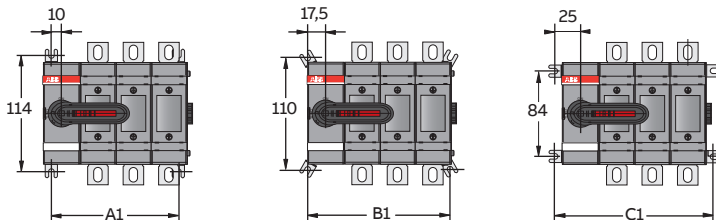
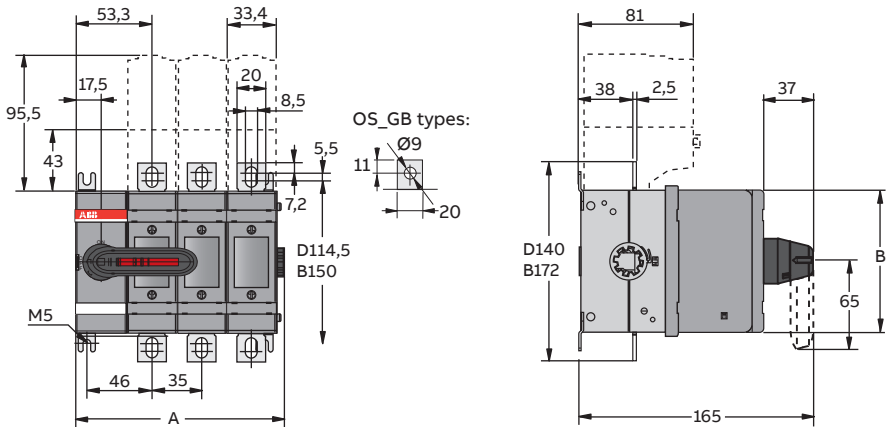
	J11	J12	J13	J22
A	113/4.45	148/5.83	183/7.20	183/7.20
B	81/3.19	81/3.19	81/3.19	116/4.57
A1	90/3.54	125/4.92	160/6.30	160/6.30
A2	45/1.77	45/1.77	45/1.77	80/3.15
B1	105/4.13	140/5.51	175/6.89	175/6.89
B2	52,5/2.07	52,5/2.07	52,5/2.07	160/6.30
C1	120/4.72	155/6.10	190/7.48	190/7.48
C2	60/2.36	60/2.36	60/2.36	95/3.74

Dimension drawing

Front operated switch fuses, IEC

OS100G_K...OS160G_K

Direct mounted handle



M00390/OS100-160G_01-04K A

OS100-160G_K

	D/F01	D/F02	D/F03	D/F04
A	76,5	111,5	146,5	181,5
B	100	100	100	100
A1	55	90	125	160
B1	70	105	140	175
C1	85	120	155	190

OS100-160G_K

	B01	B02	B03	B04
A	76,5	111,5	146,5	181,5
B	118	118	118	118
A1	55	90	125	160
B1	70	105	140	175
C1	85	120	155	190



BG	Внимание! Опасно напряжение! Да се монтира само от лице с електротехническа квалификация.
CN	警告！电压危险！只能由专业电工进行安装。
CZ	Varování! Nebezpečné napětí! Montáž smí provádět výhradně elektrotechnik!
DA	Advarsel! Farlig elektrisk spænding! Installation må kun foretages af personer med elektroteknisk ekspertise.
DE	Warnung! Gefährliche Spannung! Installation nur durch elektrotechnische Fachkraft.
EL	Προειδοποίηση! Υψηλή τάση! Η εγκατάσταση πρέπει να γίνεται μόνο από εξειδικευμένους ηλεκτροτεχνικούς.
EN	Warning! Hazardous voltage! Installation by person with electrotechnical expertise only.
ES	¡Advertencia! ¡Tensión peligrosa! La instalación deberá ser realizada únicamente por electricistas especializados.
ET	Hoiatus! Ohtlik pinge. Paigaldada võib ainult elektrotehnika-alane ekspert.
FI	Varoitus! Vaarallinen jännite! Asennuksen voi tehdä vain sähköalan ammattihenkilö.
FR	Avertissement! Tension électrique dangereuse! Installation uniquement par des personnes qualifiées en électrotechnique.
HR	Upozoreње! Opasan napon! Postavljati smije samo elektrotehnički stručnjak.
HU	Figyelmeztetés! Veszélyes feszültség! Csak elektrotechnikai tapasztalattal rendelkező szakember helyezheti üzembe.
IE	Rabhadh! Voltas guaiseach! Ba chóir do dhuine ag a bhfuil saeolas leictriteicniúil, agus an té sin amháin, é seo a shuiteáil.
IT	Avvertenza! Tensione pericolosa! Fare installare solo da un elettricista qualificato.
LT	Dėmesio! Pavojinga įtampa! Dirbti leidžiama tik elektrotechniko patirties turintiems asmenims.
LV	Uzmanību! Bīstami - elektrība! Montāžas darbus drīkst veikt tikai personas, kurām ir atbilstošas elektrotehniskās zināšanas.
MT	Twissija! Vultaġġ perikoluż! Għandu jiġi installat biss minn persuna b'kompetenza elettroteknika.
NL	Waarschuwing! Gevaarlijke spanning! Mag alleen geïnstalleerd worden door een deskundige elektrotechnicus.
NO	Advarsel! Farlig spenning! Montering skal kun utføres av kvalifiserte personer med elektrokompetanse.
PL	Ostrzeżenie! Niebezpieczne napięcie! Instalacji może dokonać wyłącznie osoba z fachową wiedzą w dziedzinie elektrotechniki.
PT	Aviso! Tensão perigosa! A instalação só deve ser realizada por um electricista especializado.
RO	Avertizare! Tensiune periculoasă! Instalarea trebuie efectuată numai de către o persoană cu experiență în electrotehnică.
RU	Осторожно! Опасное напряжение! Монтаж должен выполняться только специалистом-электриком.
SE	Varning! Farlig spänning! Installation får endast utföras av en elektriker.
SK	Varovanie! Nebezpečné napätie! Montáž môže vykonávať iba skúsený elektrotechnik.
SL	Opozorilo! Nevarna napetost! Vgradnjo lahko opravi le oseba z elektrotehničnim strokovnim znanjem.



Contact us

ABB Oy

Muottitie 2A, 65320

Vaasa, Finland

abb.com/lowvoltage