

EXTERNAL USE



PRODUCT PRESENTATION, NOVEMBER -2018

# IRB5500-27

Integrated rotational axis 7

Carrie Zou, Global Paint Product Manager



---

# Content

- Introduction
- Target & markets
- Specification
- Working envelope
- The calibration, axis limit, configurations, etc.
- Dimensions

---

# Introduction

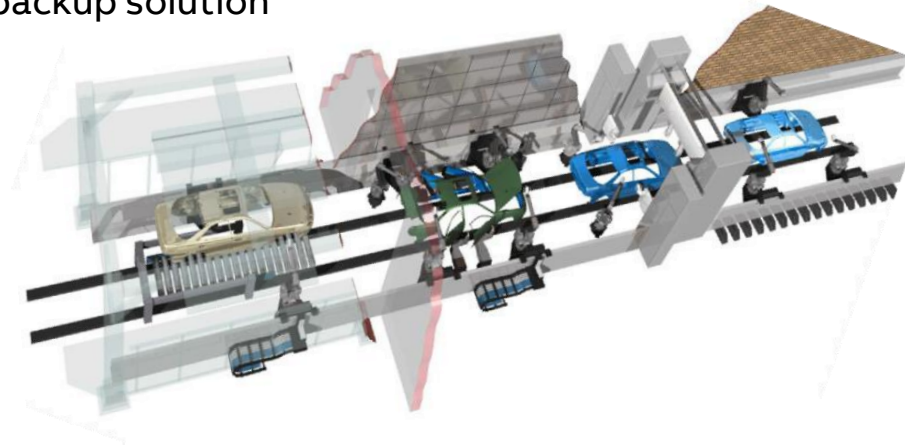
Featuring integrated 7-axes that enables a wider working range and best accessibility to all interior and exterior surface for automotive with minimum footprint.



# Target & markets



- Automotive, large work piece painting
- Stop&go and line tracking
- Greenfield and brownfield
- 1K, 2K, internal, external charge application
- Same function as IRB5500 with added/better features
- Opener for hood/trunk lid
- Enhanced backup solution



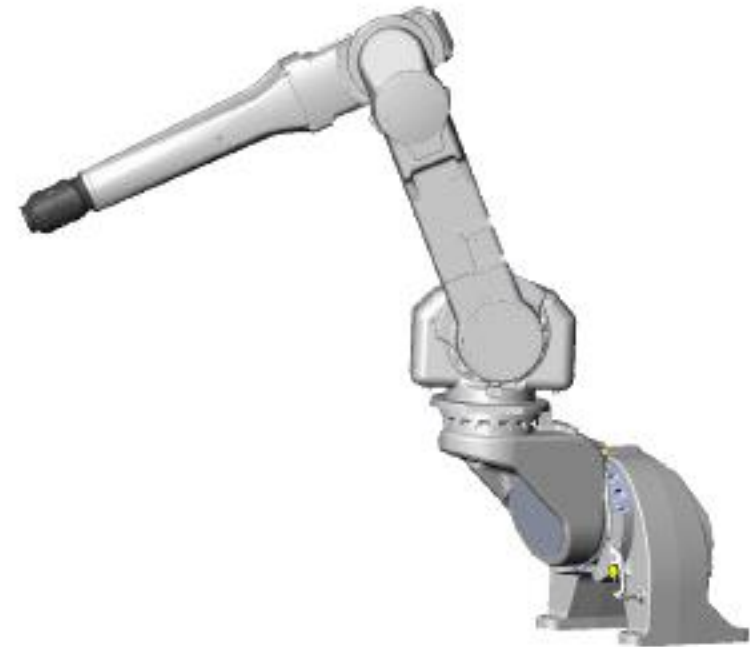
---

# IRB5500-27

## Specification

---

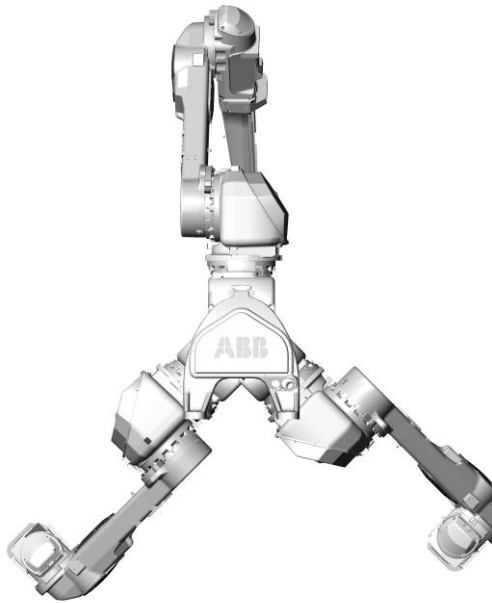
- Mounting: Wall, floor, inverted
- Working axis 7:  $\pm 135^\circ$
- Max angular velocity axis 7:  $70^\circ/s$
- Cable routing through hollow 7th axis to outside booth, hose guiding goes below the foot.
- Integrated dynamic model
- Support SafeMove 2 as option
- Customizable hardware limit for axis 7
- Share the same calibration tool with IRB5500
- Multiple calibration positions
- Modular design
- Higher availability



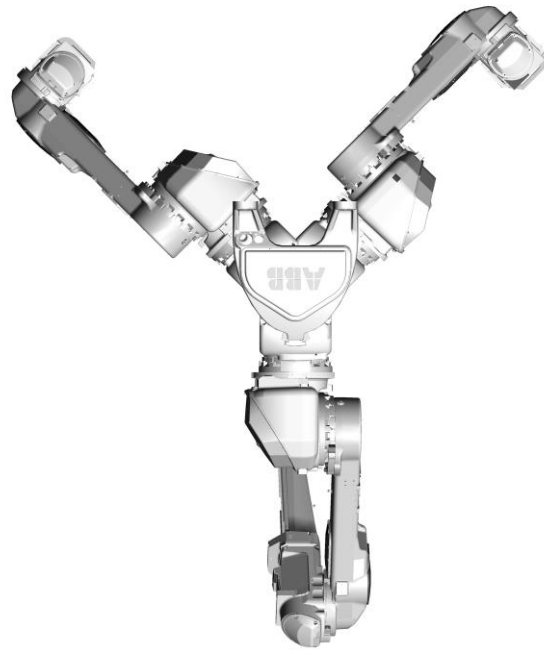
---

# Working envelope

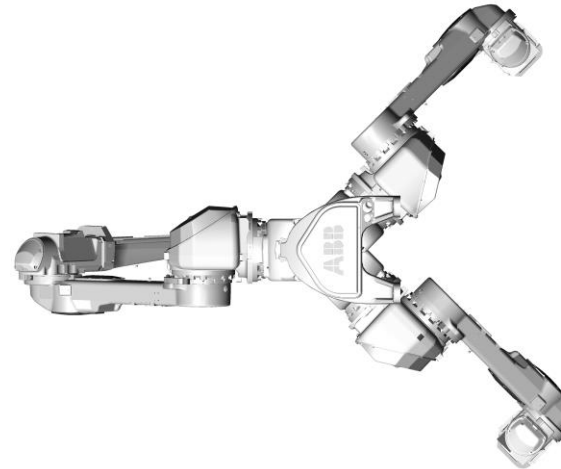
Working area  $\pm 135^\circ$  with three different configurations



Floor



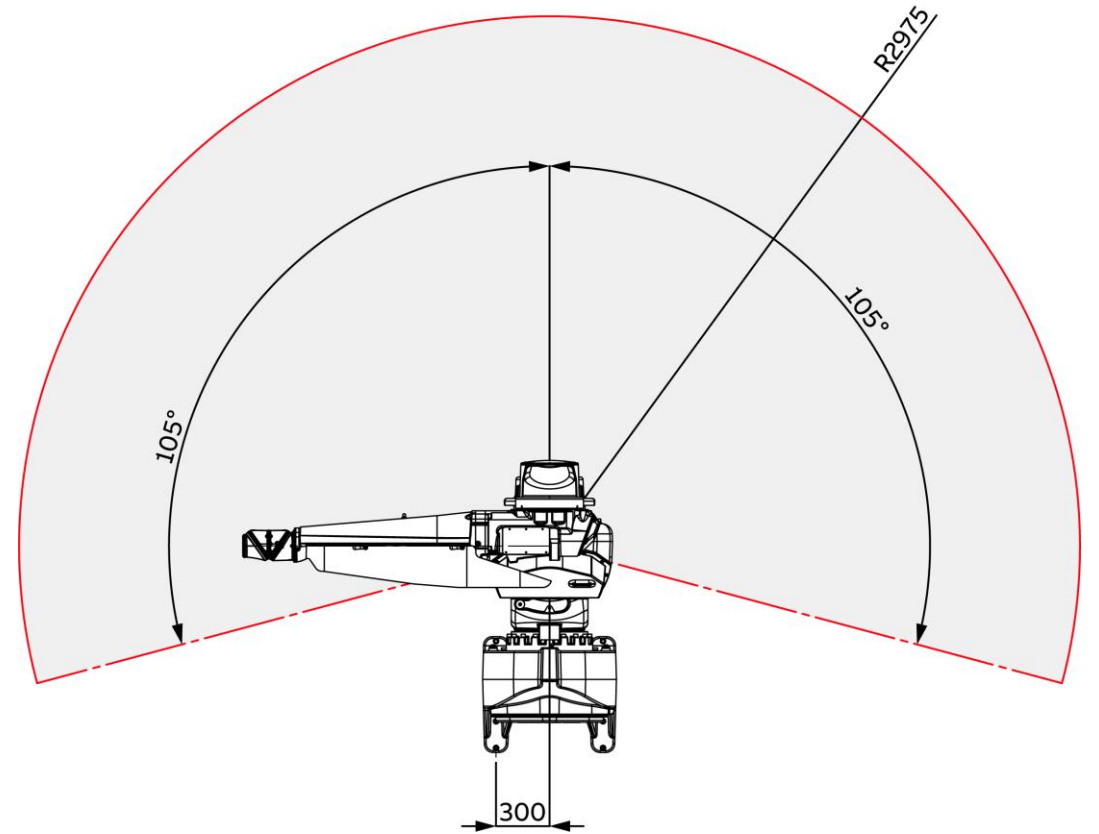
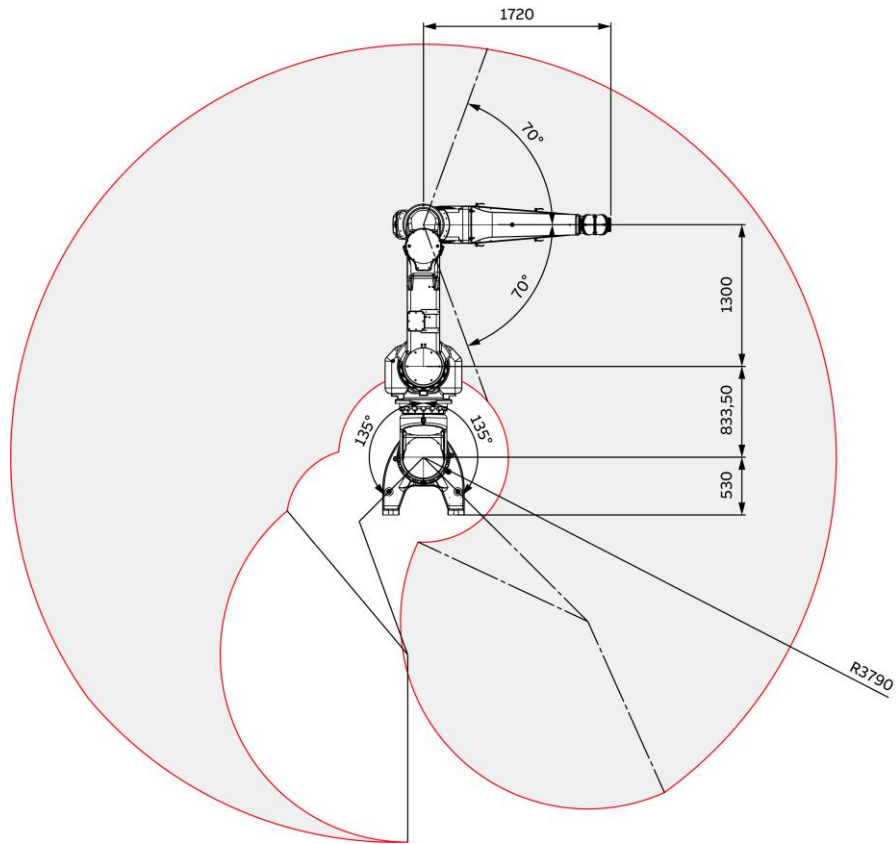
Inverted



Wall

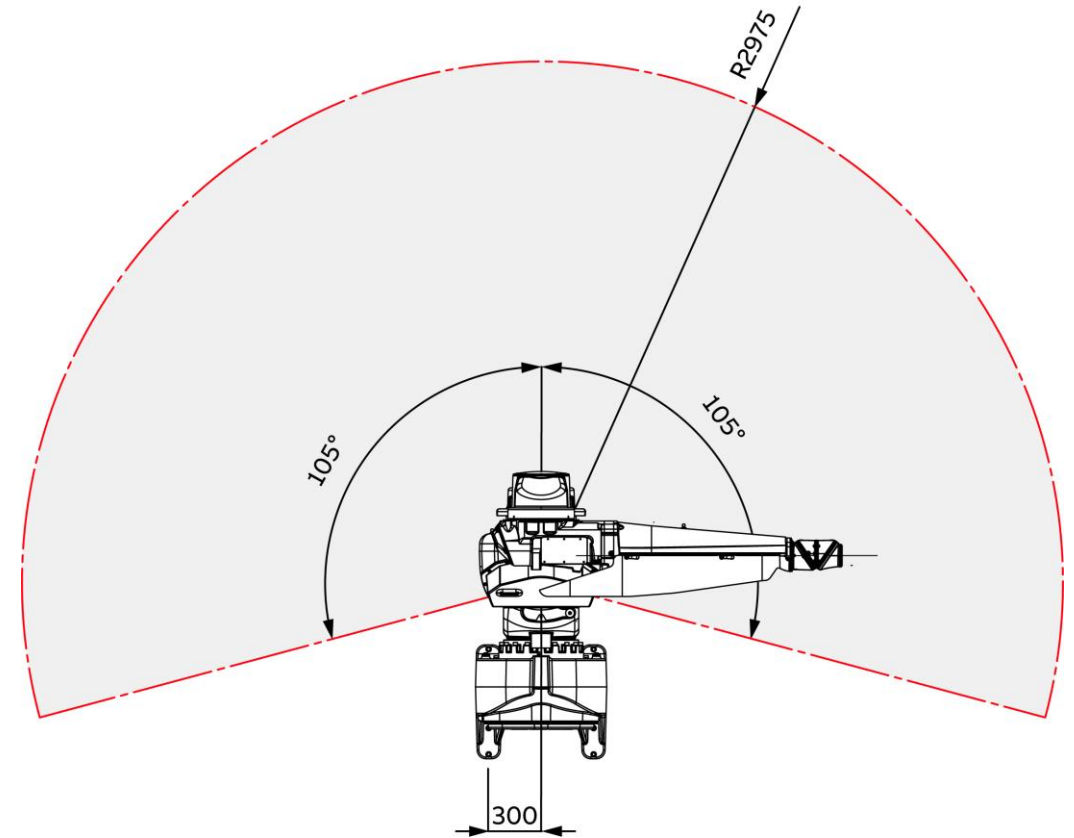
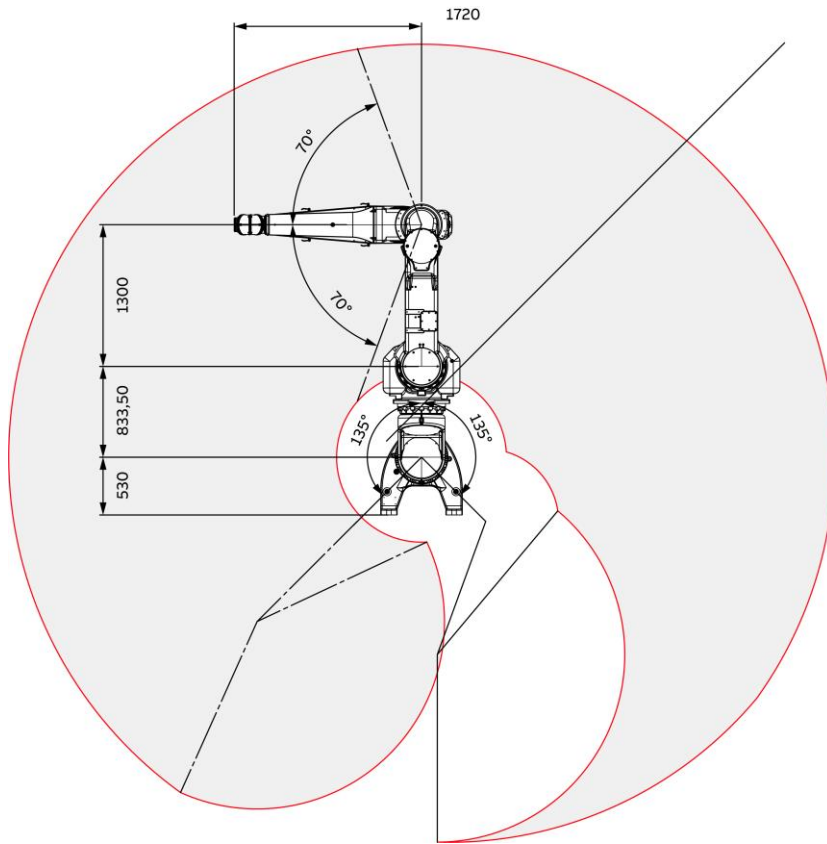
# Working envelope

## Configuration A



# Working envelope

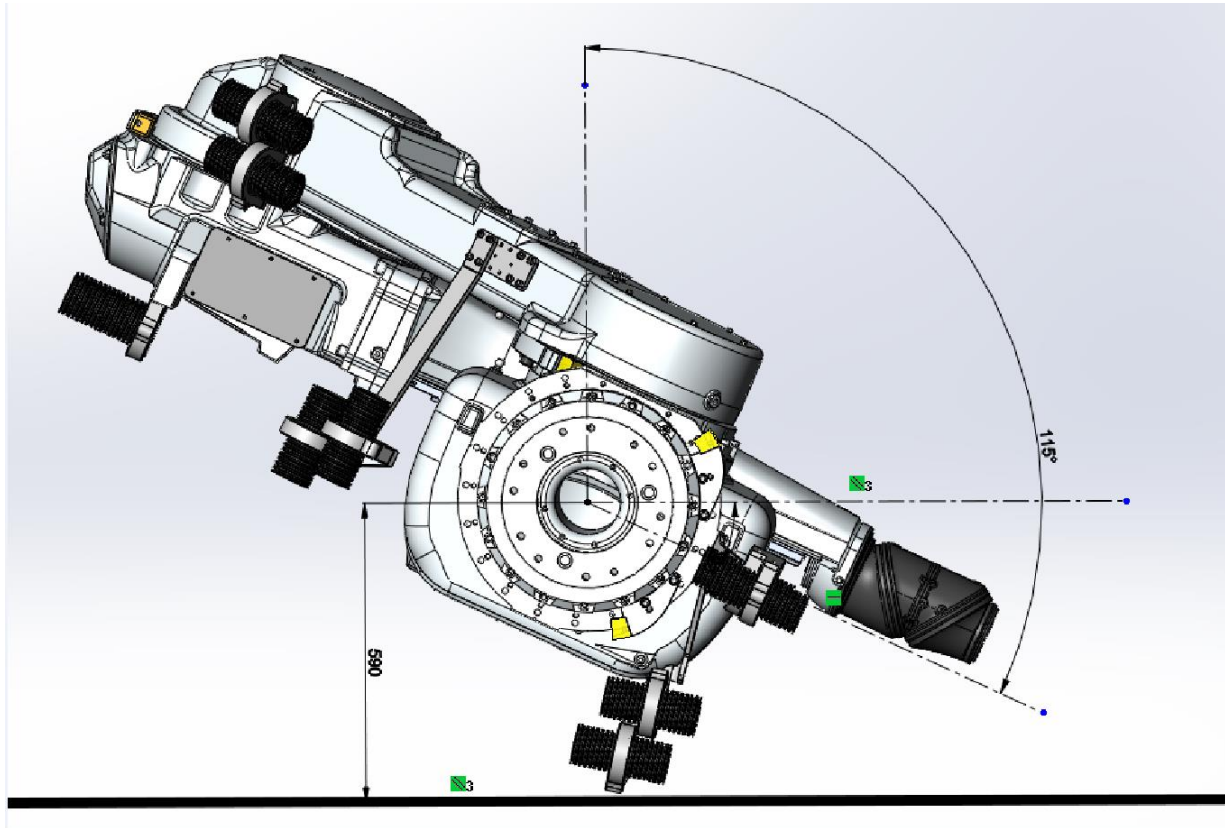
## Configuration B





# Working offset

Working area axis 1: +/- 115°

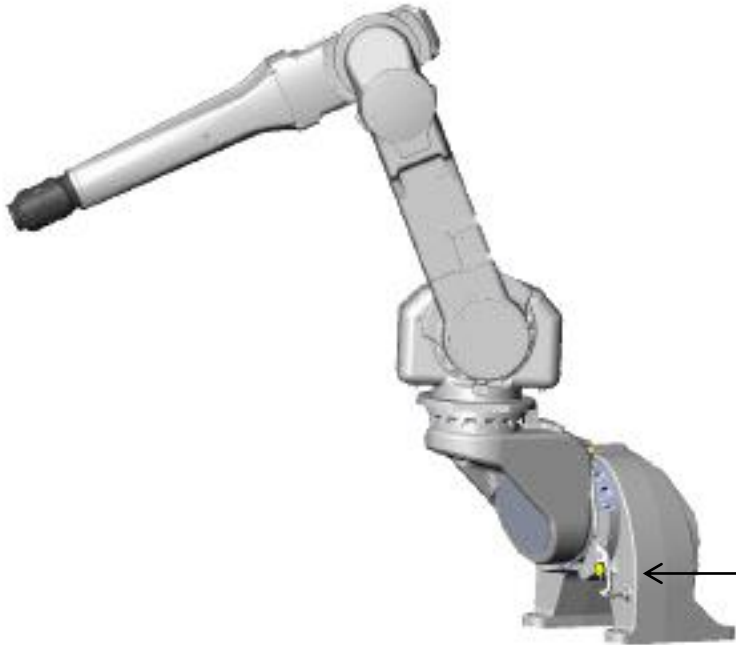


Booth wall

---

# IRB5500-27

## Calibration



**Calibration tool:**  
same as current  
for IRB 5500



---

## IRB5500-27

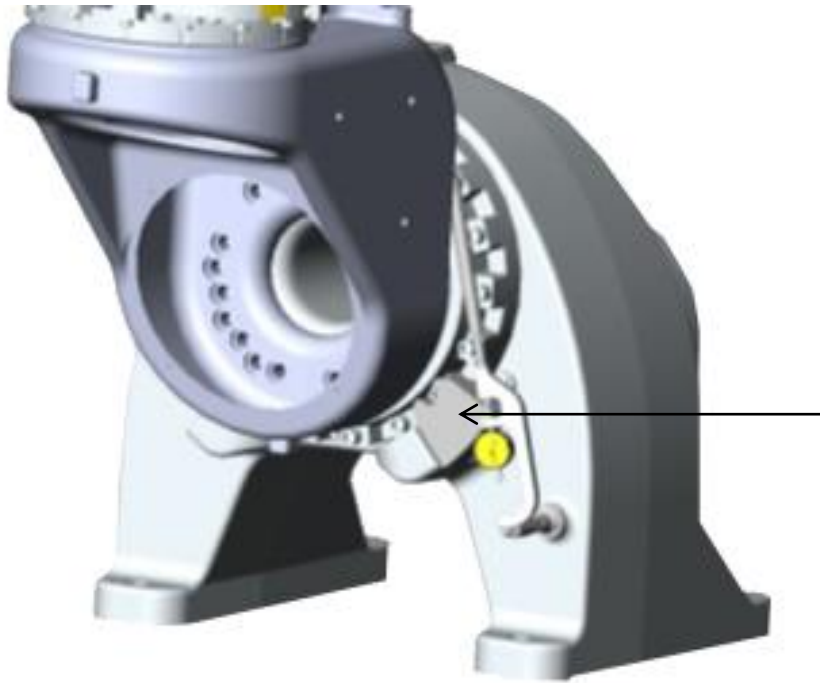
Multiple calibration positions (3), 90 ° between each



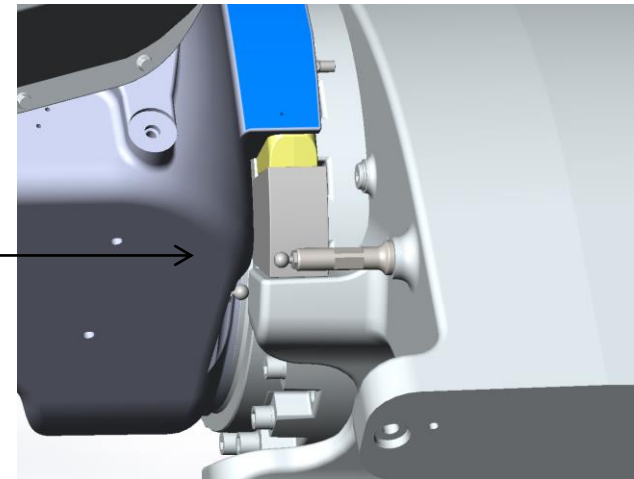
Calibration pos. 2   Calibration pos. 1   Calibration pos. 3

# Axis limit

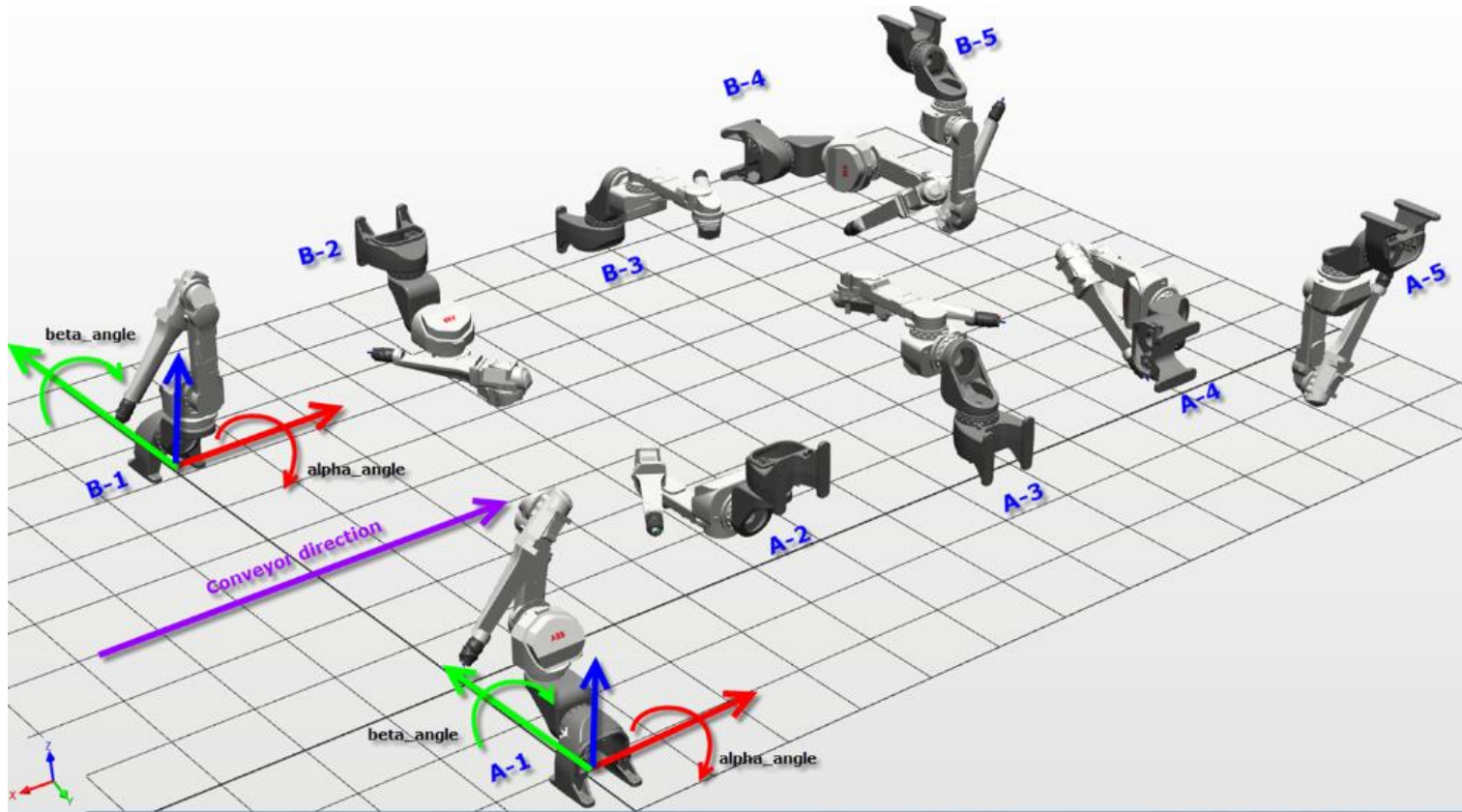
Adjustable end stops (option)



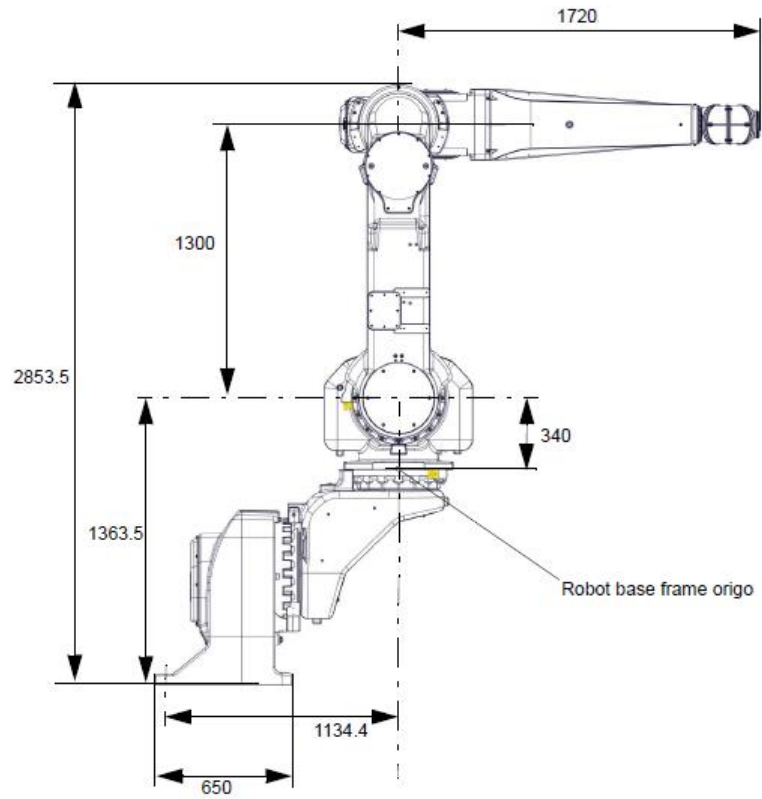
End stop can be adjusted by adding more blocks



# Available configurations/mounting positions



# Dimensions



**ABB**