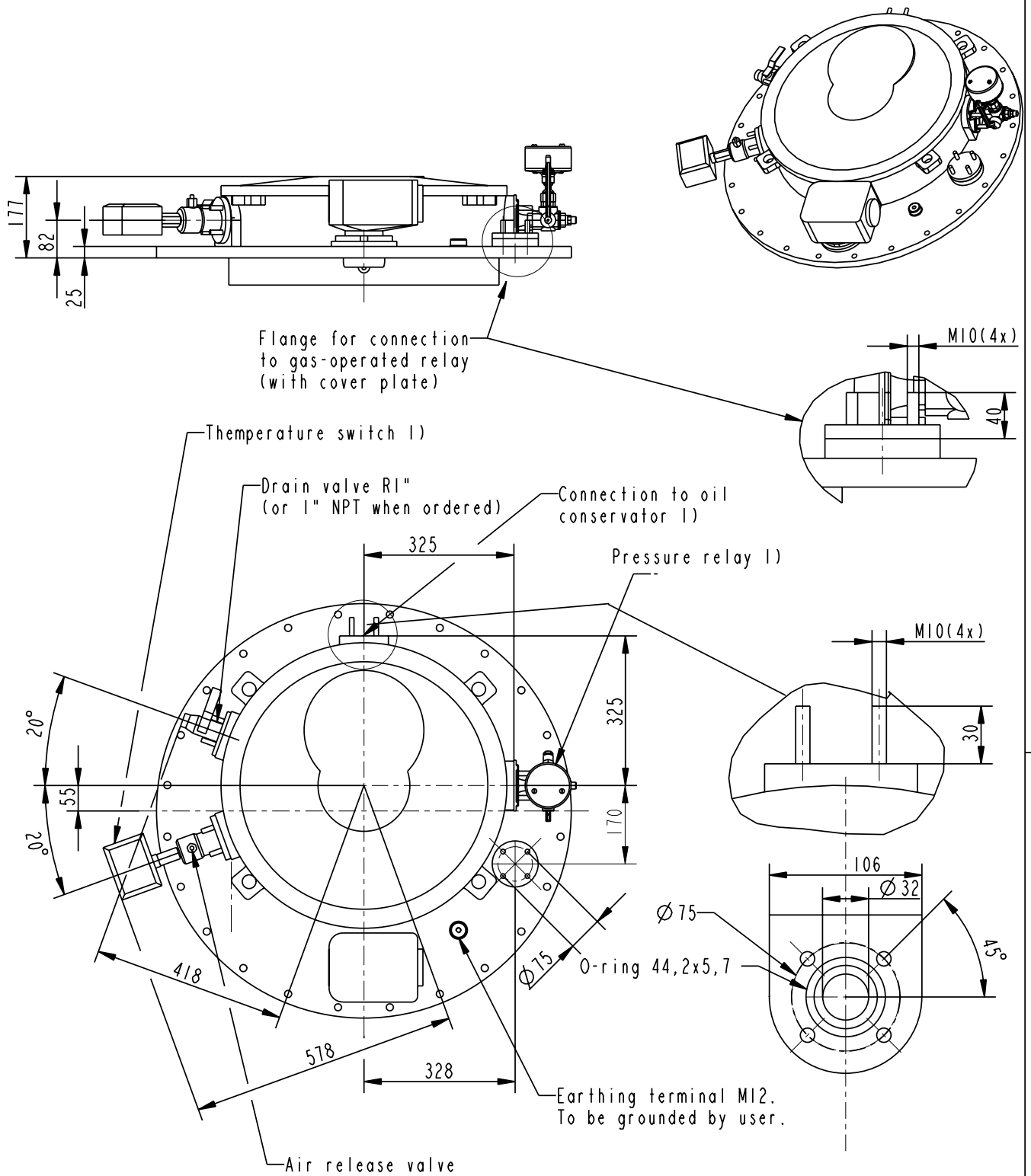


We reserve all rights in this document and in the information contained therein. Reproduction, use or disclosure to third parties without express authority is strictly forbidden. ©ABB

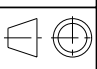

Production engineering review

Design engineering review



Sheet 2 Fig 1-3 for pressure relief valve
Sheet 2 Fig 4 for tempensor TEC + pressure relay

1) These are interchangeable

Based on	Reg. No.	Title	 Language en Page 1(2)
Prepared G Forsberg 97-04-22	Responsible department COM/TK	TOP SECTION ACCESSORIES UCL WITH TEMPERATURE SWITCH Cover and Active part mounting	
Approved M Eriksson	Take over department		
Revision Rev.6 2008-02-01	Database DIMENSION_DWGS	Document No. 54920086-5	
 ABB Components			

PRESSURE RELIEF VALVE (Flow dia 133mm)

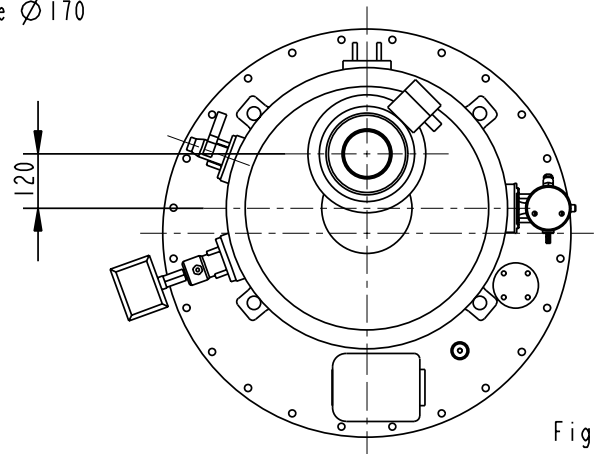
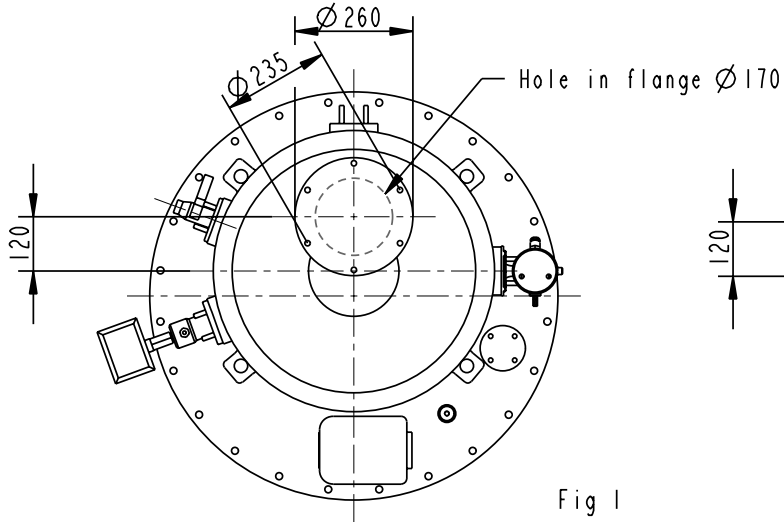
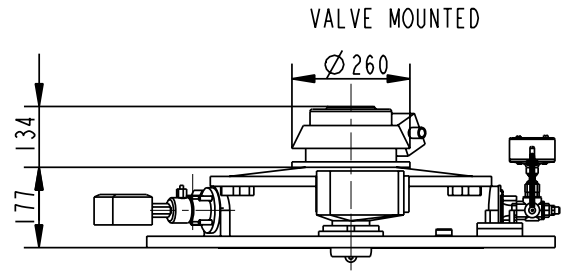
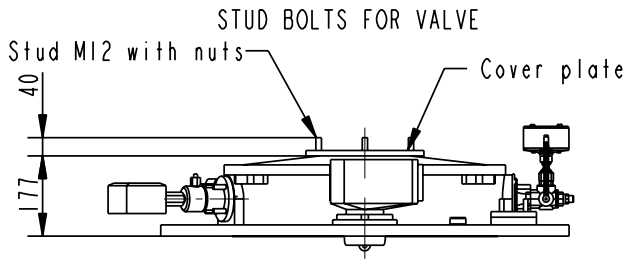


Fig 1

Fig 2

PRESSURE RELIEF VALVE (Flow dia 50mm)
WITH COVER AND SIGNALLING SWITCH

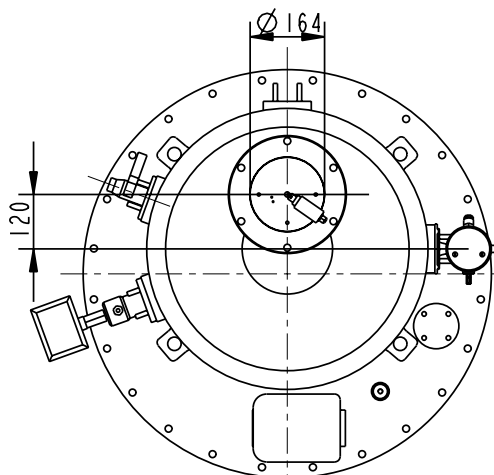
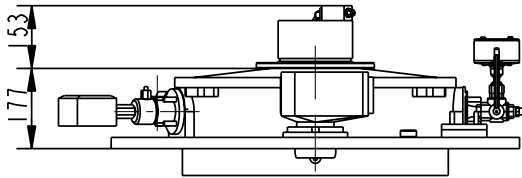


Fig 3

TEMPSENSOR
WITH PRESSURE RELAY MOUNTED AT TEMPESENSOR HOUSING

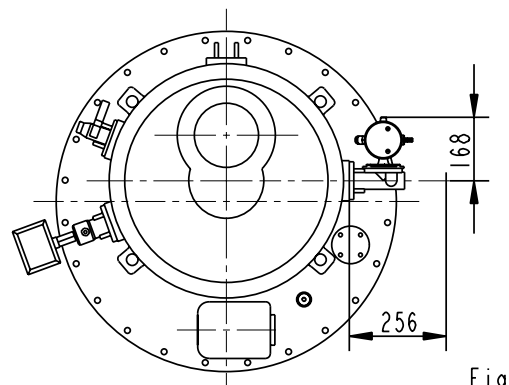
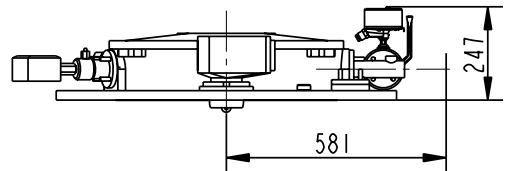


Fig 4

We reserve all rights in this document and in the information contained therein. Reproduction, use or disclosure to third parties without express authority is strictly forbidden. ©ABB

Production engineering review

Design engineering review

Inspection engineering review

Based on	Reg. No.	Title TOP SECTION ACCESSORIES UCL WITH TEMPERATURE SWITCH Cover and active part mounting	Language en	
Prepared G Forsberg 97-04-22	Responsible department COM/TK			Page 2(2)
Approved M Eriksson	Take over department			
Revision Rev.6 2008-02-01	Database DIMENSION_DWGS			Document No. 54920086-5
ABB ABB Components				