

L11-EM SERIES HAZARDOUS LOCATION LIGHTING FIXTURE

Class I Division 1 Groups C, D

 **IMPORTANT:** READ ALL WARNINGS, PRECAUTIONS, AND PROCEDURES BEFORE BEGINNING INSTALLATION.

 **—WARNING—** 
TURN OFF POWER
BEFORE AND DURING INSTALLATION AND MAINTENANCE.

INSTALLATION PRECAUTIONS:

All national and electrical/building codes must be followed in the installation of the luminaire. For code interpretation, consult local code authority.



— RISKS OF FIRE OR EXPLOSION —

1. ALL SERVICE AND MAINTENANCE MUST BE PERFORMED BY A QUALIFIED LICENSED ELECTRICIAN.
2. DO NOT INSTALL DAMAGED LUMINAIRE.
3. DO NOT INSTALL LUMINAIRE IN ANY CLASSIFIED LOCATION WHERE THE MARKED OPERATING TEMPERATURE EXCEEDS THE IGNITION TEMPERATURE OF THE HAZARDOUS ATMOSPHERES. REFER TO LUMINAIRE NAMEPLATE FOR SUITABILITY IN SPECIFIC HAZARDOUS LOCATIONS.
4. DO NOT INSTALL LUMINAIRE IN A LOCATION WHERE THE AMBIENT TEMPERATURE EXCEEDS THE MAXIMUM AMBIENT TEMPERATURE SHOWN ON THE LUMINAIRE NAMEPLATE.
5. REFER TO LUMINAIRE NAMEPLATE FOR MINIMUM SUPPLY WIRE TEMPERATURE RATING.
6. REFER TO LUMINAIRE NAMEPLATE TO ENSURE LUMINAIRE RATING CONFORMS TO SUPPLY VOLTAGE.
7. VERIFY THAT GROUND CONTINUITY HAS BEEN ESTABLISHED BEFORE ENERGIZING THE LUMINAIRE.
8. ATTACH A SAFETY CABLE TO SECURE LUMINAIRE DURING INSTALLATION.
9. LUMINAIRE MUST BE SUPPLIED BY A WIRING SYSTEM WITH AN EQUIPMENT GROUNDING CONDUCTOR.
10. LUMINAIRE TO BE INSTALLED TO A GROUNDED UL LISTED JUNCTION BOX.



WARNING:

LUMINAIRE MUST BE GROUNDED AS REQUIRED PER PARAGRAPH 410.44 AND ARTICLE 250 OF THE NATIONAL ELECTRIC CODE AND/OR SECTION 10 AND RULE 30-500 OF CANADIAN ELECTRIC CODE. FAILURE TO PROPERLY GROUND WILL CREATE AN ELECTRICAL SHOCK HAZARD WHICH CAN CAUSE SERIOUS INJURY OR DEATH.

NEVER ENERGIZE IN A HAZARDOUS LOCATION UNLESS LUMINAIRE HAS BEEN SECURED TO MOUNT AND LENS HAS BEEN ASSEMBLED AND TIGHTENED TO THE HOUSING AS OUTLINED IN THIS INSTRUCTIONS.

Warranty:

Hazlux sells this product with the understanding that the user will perform all necessary tests to determine the suitability of this product for the user's intended application. Subject to the limitations set forth below, Hazlux warrants that the Hazlux LED luminaire will be free from defects in material and workmanship for a period of **five (5) years** beginning on the date of installation or 90 days from the date of shipment, whichever date is earlier.

Warranty Limitations and Exclusions:

The above warranty shall only apply when the product is installed in applications in which ambient temperatures are within the range of specified operating temperatures and is operated within the electrical values shown on the LED driver label. This warranty is also void if the product has been subjected to misuse, neglect, accident, fire, physical damage, improper installation, unauthorized modification, or use in violation of our instructions or any applicable laws, codes or ordinances. Upon prompt notification of a warranted defect, Hazlux will, at its option, repair or replace any products found to be defective under normal installation, use and service. Hazlux reserves the right to replace any warranted product with a substitute product of similar function if the warranted product is no longer available.

THE ABOVE WARRANTY IS THE SOLE WARRANTY CONCERNING THIS PRODUCT, AND IS IN LIEU OF ALL OTHER WARRANTIES EXPRESS OR IMPLIED, INCLUDING BUT NOT LIMITED TO ANY IMPLIED WARRANTY OF MERCHANTABILITY OR FITNESS FOR A PARTICULAR PURPOSE, WHICH ARE SPECIFICALLY DISCLAIMED. LIABILITY FOR BREACH OF THE ABOVE WARRANTY IS LIMITED TO COST OF REPAIR OR REPLACEMENT OF THE PRODUCT, AND UNDER NO CIRCUMSTANCES WILL HAZLUX BE LIABLE FOR ANY INDIRECT, SPECIAL, INCIDENTAL OR CONSEQUENTIAL DAMAGES.

INSTALLATION INSTRUCTIONS

WALL & CEILING MOUNT INSTALLATION (Figure 1)

1. Install mounting bracket to wall or ceiling surface using supplied M10 expansion bolts and lock washers.
2. Install luminaire on mounting bracket using the M8 bolts and lock washers.
3. Align luminaire to desired position and tighten the M8 bolts.
4. Install M4 socket head cap screws to both ends of tank to maintain alignment.
5. Wire luminaire: See Electrical Section (Figure 4).

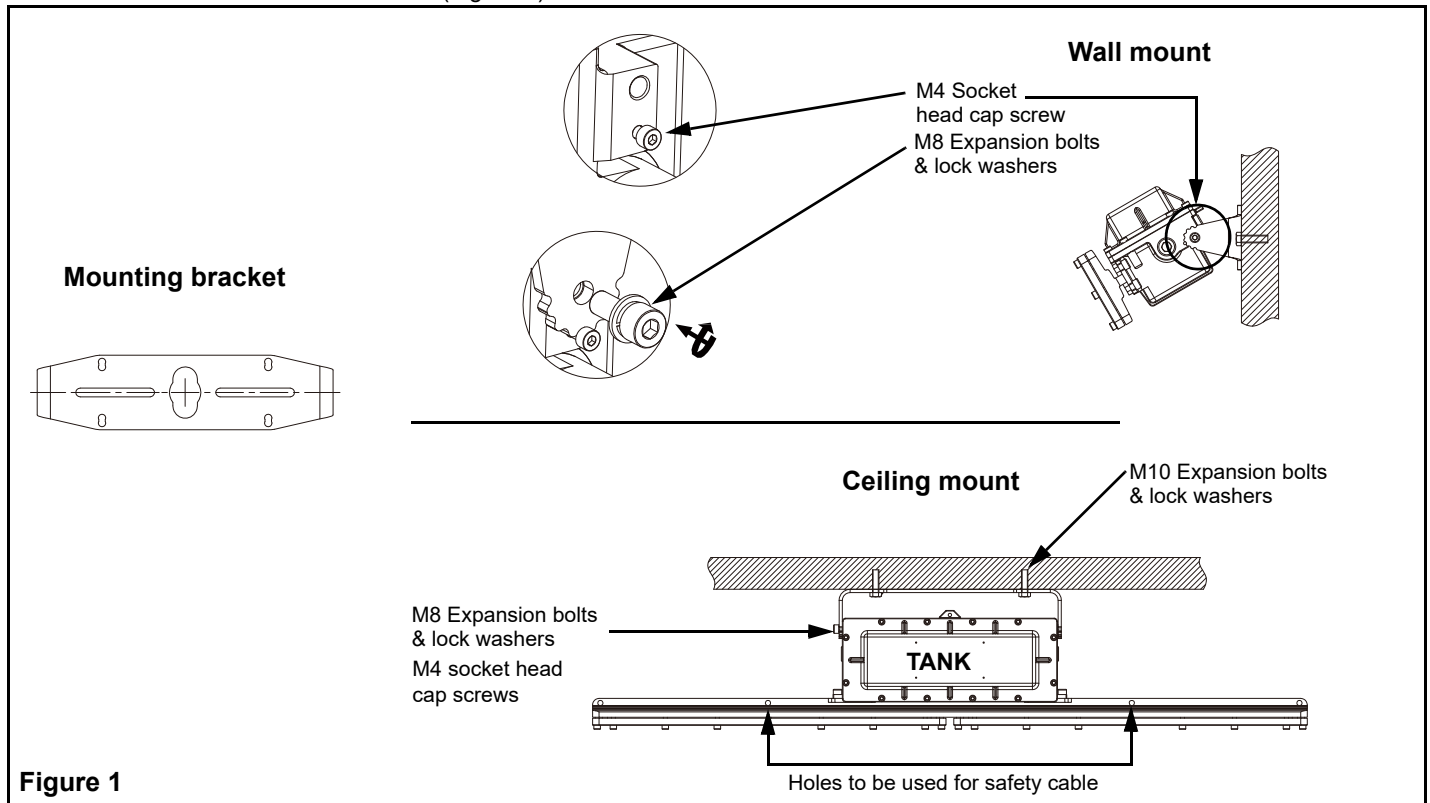


Figure 1

Suspension mount (Figure 2)

1. Remove 4 screws located at the ends of luminaire (2 at each end).
2. Install suspension wire supplied into the 4 screw holes of luminaire.
3. Hang luminaire in desired location.
4. Balance luminaire using socket set screws located on suspension wire.
5. Wire luminaire: See Electrical Section (Figure 4).

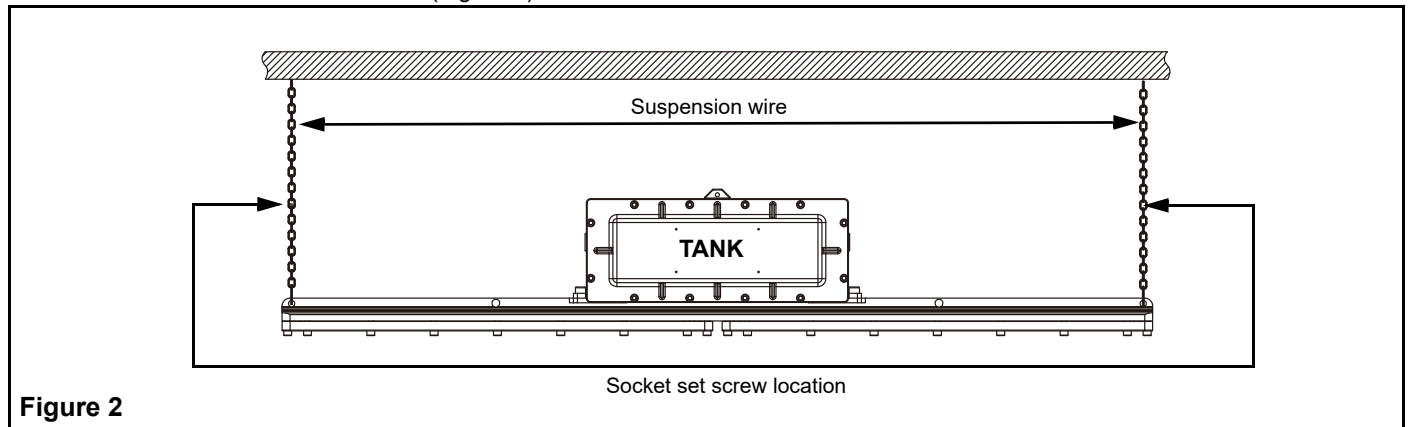
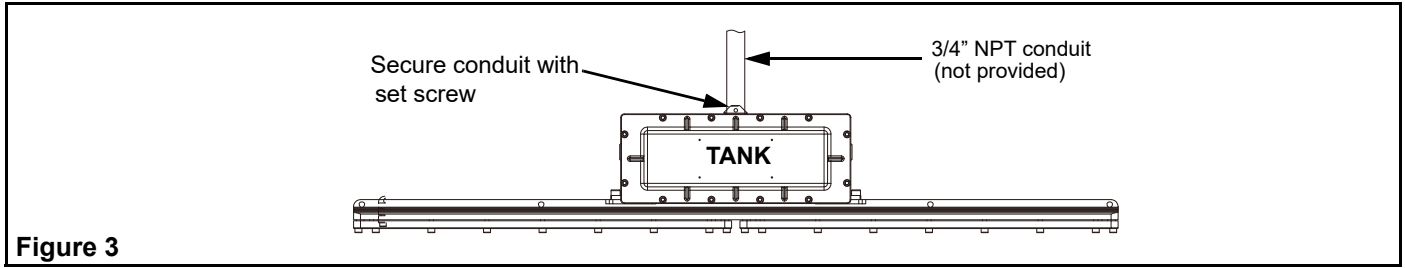


Figure 2

Pendant Mount (Figure 3)

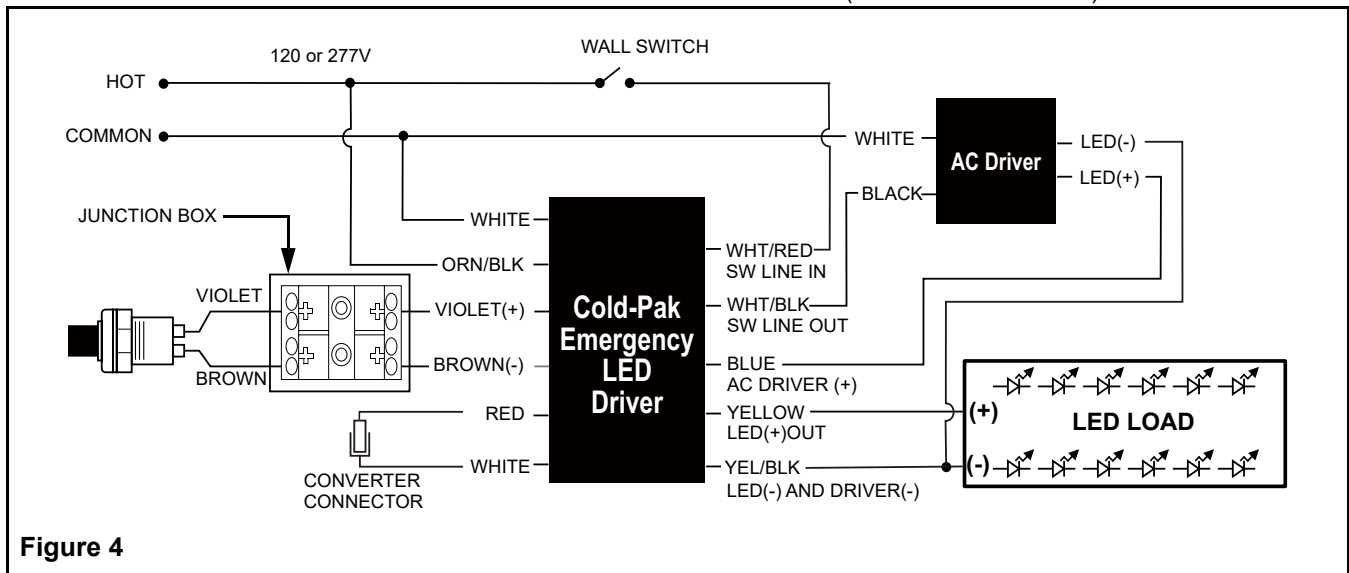
1. Install 3/4" NPT conduit to luminaire.
2. Secure conduit with set screw.
3. Wire luminaire: See Electrical Section (Figure 4).



Electrical connections (Figure 4):

Battery charge time is 24 hours, has a discharge of 1.5 hours and a rated load of 6w.

1. Remove cover from tank.
2. Route building leads through properly rated conduit and install into 3/4" NPT hole of the tank.
3. Make electrical connections:
 - a. Building line supply to line orange/black (emergency LED driver) and black (wall switch).
 - b. Building neutral supply to neutral white (AC and emergency LED driver).
 - c. Building ground supply to terminal block ground (green).
 - d. Snap converter connector together.
 - e. Cap all unused wires with UL approved connectors.
4. Re-install cover to tank and tighten each M6 hexagon bolts to a torque of 7N-m.
 Note: if a remote test switch is to be installed do not install cover at this time (see remote test switch).



Remote Test Switch:

1. The remote test switch must be certified for the area in which it will be installed.
2. Remote test switch must be of:
 - a. Manually operating and momentary-contact type, or
 - b. Maintained-breaker type that opens all ungrounded conductors and be accessible to authorized personal.
3. The remote test switch must be installed using acceptable wiring methods for the areas involved in accordance with the NEC.
4. The remote test switch must be identified (i.e. – marked "Emergency Luminaire Test Switch").
5. When the remote test switch is installed, it has to be connected such that when it is depressed it provides a transfer function, disconnects and isolates the normal input from the emergency input.
6. The rating of remote test switch is 6 Vdc, 0.5 A; and incorporating with lead wiring R/C (AVLV2/8), 105°C min., 600 Vac min.

Maintenance:

1. Disconnect power and allow the luminaire to cool down before performing any maintenance.
2. Keep luminaire cooling fins free of dust, dirt or debris. Clean with a non-abrasive cloth.
3. Conduct visual, electrical, and mechanical inspections at least annually.
4. Periodically clean external lens to ensure continued luminaire performance.
 - a. Use a clean, damp, non-abrasive, lint-free cloth.
 - b. Do not use any abrasive, strong alkaline, acid cleaners or organic solvents.