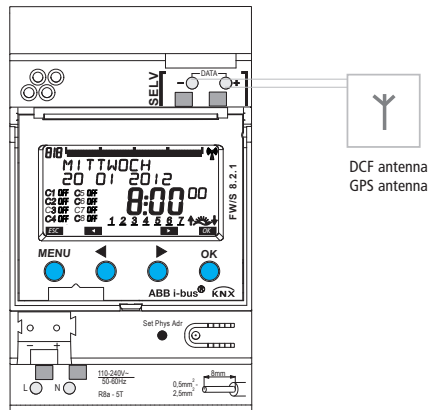


**FW/S 8.2.1**

Digital time switch  
2CDG120039R0011

Installation and  
operating instructions



FW/S 8.2.1

# Contents

Basic safety instructions	3	Menu item <b>SIMULATION</b>	23
Display and keys/operating instructions	4	Menu item <b>TIME/DATE</b>	24
Connection/installation	5	Menu item <b>MANUAL</b>	25
Programming physical address, bus connection	7	Manual and permanent switching	26
Reset	7	Menu item <b>OPTIONS</b>	27
Overview of menu selection	8	Set astro programs	28
Initial start-up	10	Enter PIN code	31
Time switch programs, astronomical programs	11	Time signal reception with antenna	32
Menu item <b>PROGRAM</b>		Obelisk memory card	34
Program switching time again in the standard program	12	Technical data	35
Request/change/delete switching time	14	Service address	36
Delete switching times	15		
Pulse time programming	16		
Cycle time programming	18		
Standard and special programs	19		

## Basic safety instructions



**WARNING**

**Danger of death through electric shock or fire!**

➤ Installation should only be carried out by a qualified electrician!

- The device is designed for installation on DIN top hat rails (in accordance with EN 60715) and corresponds to type 1 STU in accordance with IEC/EN 60730-2-7 resp. 60730-1
- The professional installation of bus lines and commissioning of devices requires compliance with the provisions of EN 50428 for switches or similar installation equipment for use in building construction technology. Tampering with, or making modifications to, the device invalidates the guarantee

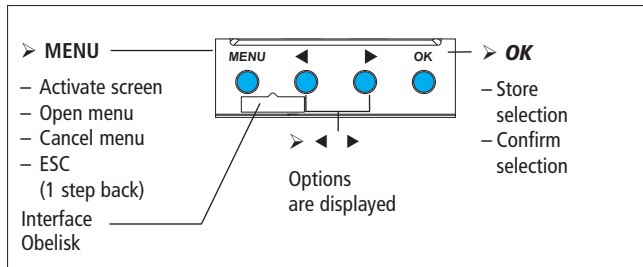
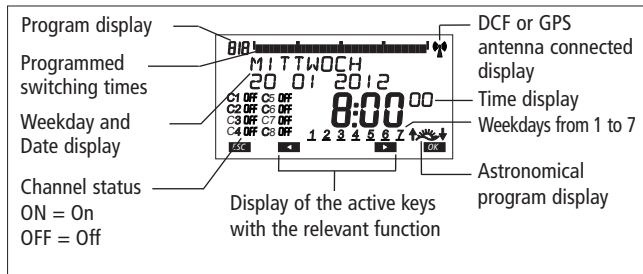
### Designated use

- The time switch can be used for lighting, bell systems, ventilation etc.
- Only use in enclosed dry spaces (device); antenna is installed in the open-air

### Disposal

Dispose of device and batteries separately in an environmentally sound manner

## Screen and keys



## Operating instructions

**1. Read text lines**  
Text represents query

**2. Make a decision**

**YES**  
Confirmation

Press  
**OK**

**NO**  
Amend/  
change

Press  
◀ ▶

## Connection/installation

### WARNING

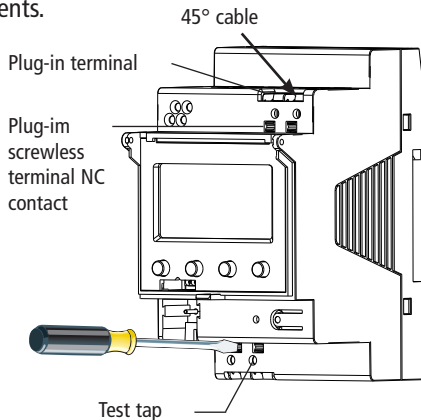


#### Warning, danger of death through electric shock!

- Must be installed by qualified electrician!
- Disconnect power source.
- Cover or shield any adjacent live components.
- Ensure device cannot be switched on!
- Check power supply is disconnected.
- Earth and bypass.
- Observe SELV on data bus.

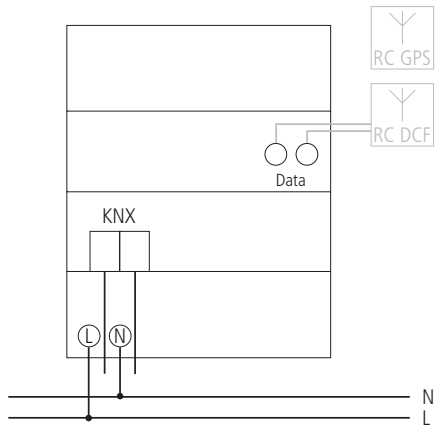
### Connect cable

- Strip cable by 8 mm (max. 9 mm).
- Insert cable at 45° in the open terminal (2 cables per terminal position possible).
- Only with flexible wires: To open the plug-in screwless terminal, press screwdriver downwards.



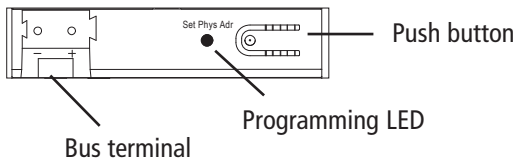
# Connection

FW/S 8.2.1



## Bus connection

- Insert bus line in bus terminal on the front of the device.
- Ensure correct polarity.



## Program physical address

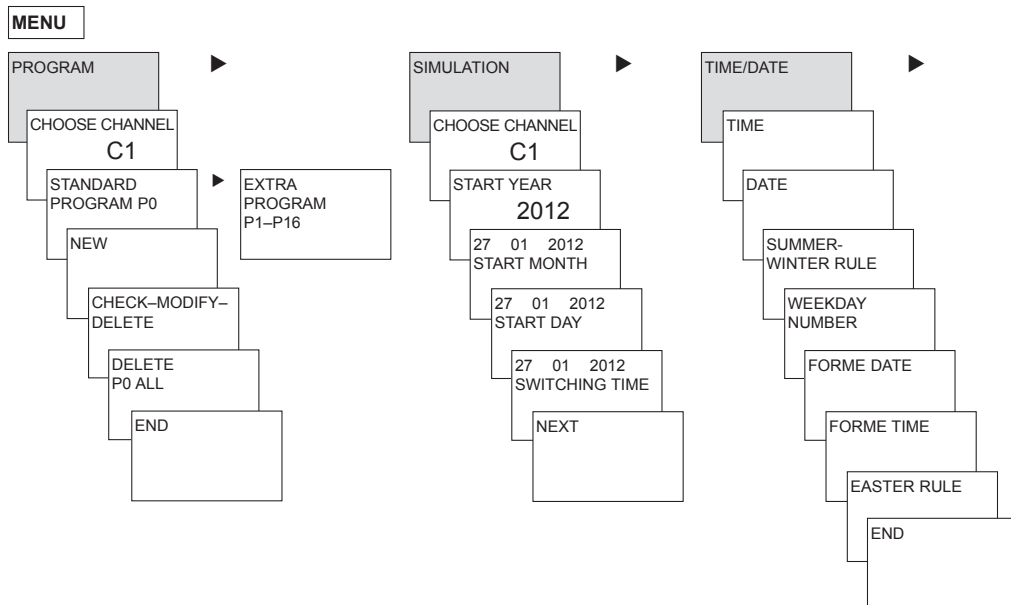
- Press push button on front of device.
  - The programming LED lights up.
  - The device is in program mode.

Start-up, diagnostics and configuration are handled by ETS 3 and 4 (KNX tool software).

## RESET

- Press the 4 keys simultaneously. **ENGLISH** is displayed.
- Then select **KEEP PROGRAM** or **DELETE PROGRAM**.

# Overview of menu selection







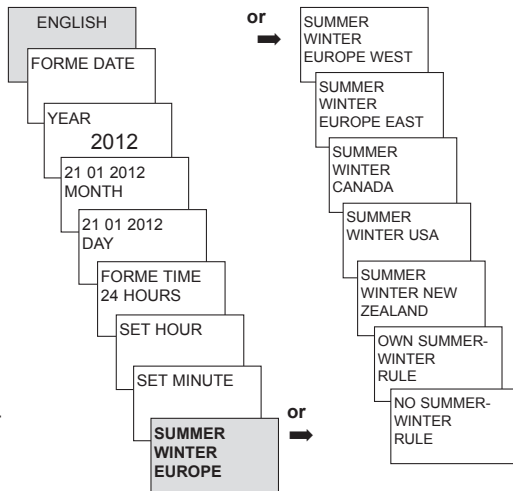
## Initial start-up

### Set date, time and summer/ winter time rule

- Press required key and display follows on screen (see figure).

You can connect the **DCF antenna** (2CDG120040R0011) or the **GPS antenna** (2CDG120041R0011) in order to synchronise the time switch via the DCF/GPS time signal. With correct reception the synchronisation occurs automatically after a few minutes.

Settings must be made via the ETS if the antenna is connected. The settings can be activated via the ETS on the KNX bus. Settings do not have to be made if the date and time were received via GPS/DCF or the KNX bus.



## Time switch programs, astronomical programs

With the digital 365-day time switch the switching programs or astro programs can be programmed and switched optionally for each channel.

Time switch programs	Astro programs
<p><b>Time switch function</b></p> <ul style="list-style-type: none"> <li>– 1 <b>Standard program</b> P0 (Weekly program with switching times, pulse and cycle times)</li> <li>– 16 <b>Extra programs</b> consisting of:               <ul style="list-style-type: none"> <li>14 Extra programs P1–P14 (Weekly programs with switching times, pulse and cycle times with different adjustable date ranges (fixed date range, date dependent on Easter etc.), with extra program P15 (Fix ON) and extra program P16 (Fix Off) (with adjustable date ranges)</li> </ul> </li> </ul>	<p>The astro function can be activated instead of the time switch function for each channel</p> <ul style="list-style-type: none"> <li>– 1 <b>Astro standard program</b> P0 (with fixed on/off times, weekly program)</li> <li>– 16 <b>Extra programs</b> consisting of:               <ul style="list-style-type: none"> <li>14 Astro extra programs P1–P14 (with fixed on/off times, weekly program) with different adjustable date ranges (fixed date range etc.), with extra program P15 (Fix ON) and extra program P16 (Fix Off) (with adjustable date ranges)</li> </ul> </li> </ul>

A channel can be defined as an astro channel in: MENU → Options → Astro → Astro settings → choose channel → change to astro program

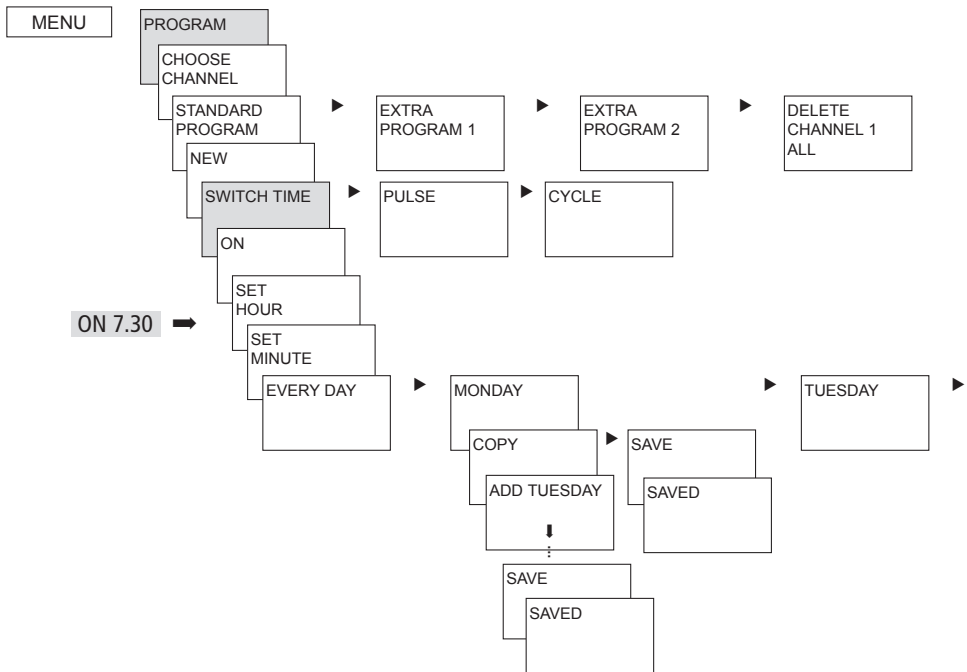
## Time switch program

### Program switching time in the standard program P0

**Example: Switch on sports hall lighting from Mon–Fri, 7:30 to 12:00 hrs**

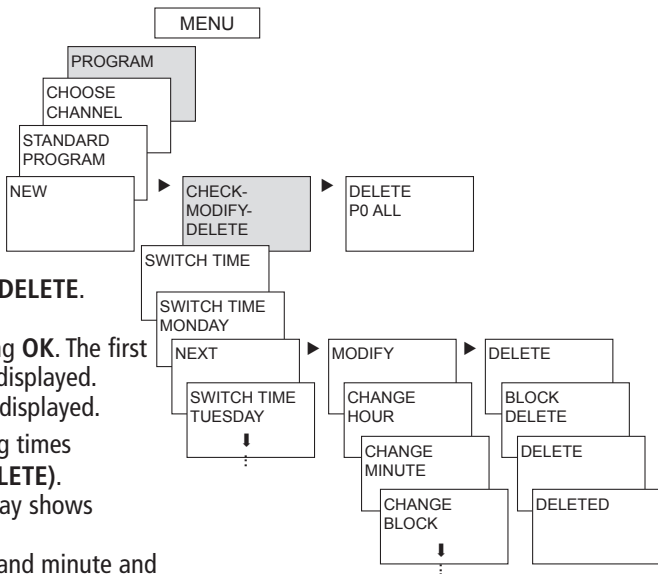
- Press **MENU**. **PROGRAM** is displayed.
- Confirm by pressing **OK**. **CHOOSE CHANNEL** is displayed.
- Confirm **CHANNEL 1** by pressing **OK**. **STANDARD PROGRAM P0** is displayed.
- Confirm by pressing **OK**. **NEW** is displayed.
- Confirm by pressing **OK**. **SWITCH TIME** is displayed.
- Confirm by pressing **OK**. Select **ON** (for switch-on times).
- Confirm by pressing **OK**. The display shows **SET HOUR**.
- Use the + or – keys to enter hour, minute, (07:30) and confirm by pressing **OK**. **EVERY DAY** is displayed. Press ► to select **MONDAY**.
- Confirm by pressing **OK**. **COPY** is displayed.
- Confirm by pressing **OK**. **ADD TUESDAY** is displayed.
- Confirm by pressing **OK** and also confirm the days Wed, Thurs, Fri by pressing **OK**.
- Continue with ► to **SAVE** is displayed. Confirm by pressing **OK**.

Repeat all steps for the switch-off time however instead of selecting ON with ► select OFF and enter 12:00 for hour and minute.



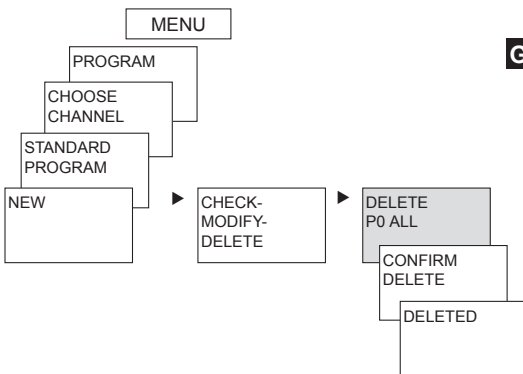
## Request/change/delete switching time

- Press **MENU**. **PROGRAM** is displayed.
  - Confirm by pressing **OK**.
  - Confirm **CHANNEL 1** by pressing **OK**.
  - Confirm **STANDARD PROGRAM P0** by pressing **OK**.
  - Use **▶** to select **CHECK-MODIFY-DELETE**.
  - Confirm by pressing **OK**.
  - Confirm **SWITCH TIME** by pressing **OK**. The first of the entered switching times is displayed.
  - Confirm by pressing **OK**. **NEXT** is displayed.
- Change or delete individual switching times
- Press **▶** to select **MODIFY** (or **DELETE**).
  - Confirm by pressing **OK**. The display shows **CHANGE HOUR**.
  - Use the **+ or -** keys to enter hour and minute and confirm by pressing **OK**.



## Delete all switching times in the standard program

- Press **MENU**. **PROGRAM** is displayed.
- Confirm by pressing **OK**.
- Confirm **CHANNEL 1** by pressing **OK**. **STANDARD PROGRAM P0** is displayed.
- Confirm by pressing **OK**.
- Use **▶** to select **DELETE P0 ALL**.
- Confirm by pressing **OK**. The display shows **CONFIRM DELETE**.
- Confirm by pressing **OK**. The display shows **DELETED**.

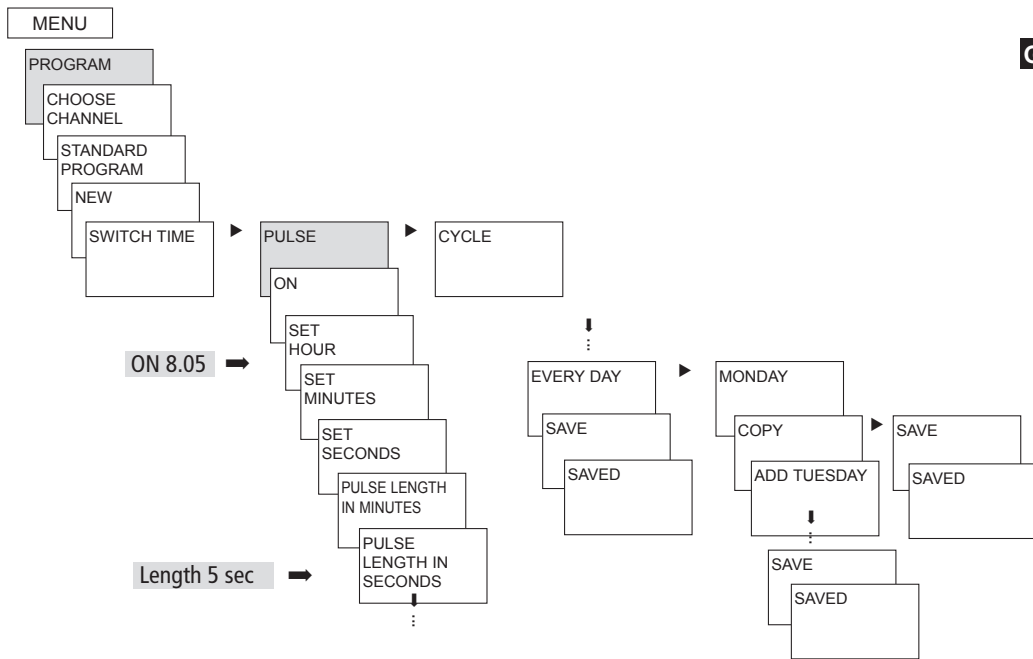


## Pulse time programming

**Example: Switch on pause signal on Monday 8:05 hrs for 5 sec**

- Press **MENU**. **PROGRAM** is displayed.
- Confirm by pressing **OK**. **CHOOSE CHANNEL** is displayed.
- Confirm **CHANNEL 1** by pressing **OK**. **STANDARD PROGRAM P0** is displayed.
- Confirm by pressing **OK**. **NEW** is displayed.
- Confirm by pressing **OK**. **SWITCH TIME** is displayed.
- Select **PULSE** by pressing **▶**.
- Confirm by pressing **OK**. **ON** is displayed.
- Confirm by pressing **OK**. The display shows **SET HOUR**.
- Use the + or – keys to enter hour, minute, second (8:05) and confirm by pressing **OK**. **PULSE LENGTH** is displayed.
- Use the + or – keys to enter the duration of the pulse in minutes and seconds (5 sec). **EVERY DAY** is displayed. Press **▶** to select **MONDAY**.
- Confirm by pressing **OK**. **EVERY DAY** is displayed.
- Press **▶** to select **MONDAY**. Confirm by pressing **OK**.
- **COPY** is displayed. Press **▶** to select **SAVE**.
- Confirm by **pressing OK**.





## Programme cycle time

In addition to switch-on and switch-off times (switching time) and short time pulses (pulse) cycle times (cycle) can also be programmed. The pulse length (+ pulse pause) is limited to 17 hrs, 59 min, 59 sec

- Cycle times refers to cyclically repetitive time functions such as fan controls, urinal rinses etc.

**Example:** Switch on water rinsing Monday from 8:00 to 20:30 hrs every 15 min for 20 sec (8:00<sup>00</sup>–8:00<sup>20</sup> On; 8:15<sup>00</sup>–8:15<sup>20</sup> On; 8:30<sup>00</sup>–8:30<sup>20</sup> On etc.)

### Cycle programming

- Start cycle: Monday 8:00 hrs
- Pulse length: 20 sec
- Pause length: 14 min 40 sec
- Cycle end: Monday 20:30:00 hrs

## Standard program and extra programs

- The standard program P0 (weekly program with switching times, pulse and cycle times or astronomical program) is always active however has the lowest priority and can be superimposed by the extra programmes P1–P16.
- In extra programs the following is valid: the higher the number the higher the priority. The extra program 16 has the highest, the extra program 1 the lowest priority.
- Each extra program has an arbitrary number of date ranges available. A extra program becomes active when at least one date range has been set and is not superimposed by another extra program with a higher priority during this period. At the start and end of each date range the hour can also be entered to ensure that the changeover to the respective extra program occurs on each complete hour.
- The following date ranges can be set in parallel:
  - Fixed date (once)
  - Fixed date each year
  - Easter rule or the Orthodox Church rule (81 days before ... 174 days after Easter)

- Chinese New Year (20 days before ... 20 days after the Chinese New Year)
- Date with serial pattern (Time limit series): Start and end are set and the start repeated according to an adjustable number of days (at the latest after 200 days)
- Weekday rule (e.g. every 3rd Wednesday in September)

### **Examples of calendar-dependent date ranges:**

- **Fixed date range:**

Start on 02.04.2012 at 16:00 hrs, End on 24.04.2012 at 10:00 hrs

- **Annually recurring date range**

Christmas: Start every year on 24.12. at 18:00 hrs, End on 26.12. at 23:00 hrs

- **Easter-dependent date range**

Whit Sunday and Monday: Start every year: 49 days after Easter at 0:00 hrs,  
End: 51 days after Easter at 0:00 hrs

- **Date range dependent on the Chinese New Year**

Start each year 1 day before the Chinese New Year. New Year, End 5 days after

- Date with **serial pattern (Time limit series)**  
as from November 2012 to be carried out successively every 2nd week  
Start on Monday 01.11.2012 at 0:00 hrs; End on Monday 08.11.2012 at 0:00 hrs,  
repeat start after 14 days
- **Date dependent on the weekday etc.**  
each month on the 1st weekend from Saturday 06:00 hrs to Sunday 18:00 hrs;  
start 1st Sunday each month at 06:00 hrs, duration 36 hours
- **Public holiday settings**  
With the help of the PC software Obelisk the public holidays in a country in the set can be set together, individually processed and transferred to the time switch with the memory card Obelisk as date ranges.
  
- **Extra program P1-14 Time switch channel**
  - Active in the programmed date ranges
  - Switch timings, pulse and cycle times can be entered as week programs
- **Extra program P1-14 Astronomical channel**
  - Active in the programmed date ranges
  - Astronomical times are active (calculated sunrise and sunset times)

- Fixed switch-offs (e.g. nighttime interruption) and switch-ons can also be entered as weekly program in order to superimpose the astronomical times entirely or partially.

**Example:** The standard program switches on the street lighting in dependence of the astro times. A nighttime interruption is programmed from 23:00 hrs to 04:00 hrs.

Extra program 1 is active within the date range from April 30, 12:00 hrs until May 12:00 hrs. To ensure that the street lighting remains switched on all night no nighttime interruption is programmed in the extra program 1.

- **Extra program P15**

- Function: **Fix ON**
- Active in the programmed date ranges

- **Extra program P16**

- Function: **Fix OFF**
- Active in the programmed date ranges

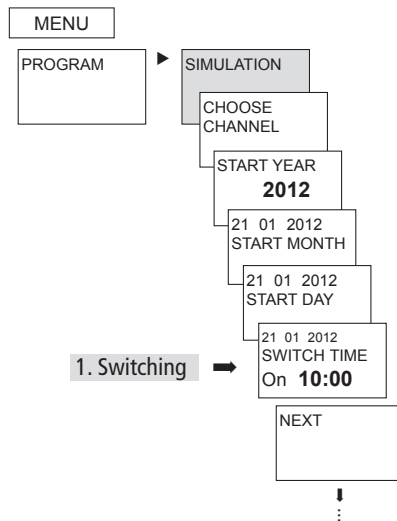
**Example:** The car park lighting is switched on and off at fixed times or Monday to Friday according to astro times. The extra program P 16 Permanently Off ensures that the car park lighting is not switched on on any public holidays.

## SIMULATION

During the simulation it is a channel-related total request. All channel switching entered (standard and special program, switching times, pulse and cycle programs) are displayed in the time sequence in which they are applied.

In the case of an astronomical channel all astronomical switch-ons and fixed switch-ons / switch-offs are displayed in their time sequence.

- Press **MENU** using ► select **SIMULATION** and follow the indications on the display in order to request all the switchings applied (see figure).

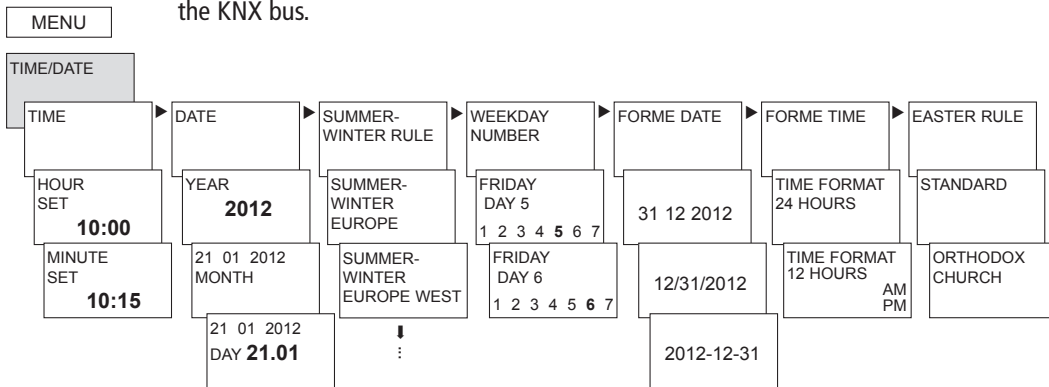


# TIME/DATE

In the menu TIME/DATE the TIME, DATE, SUMMER WINTER RULE, WEEKDAY NUMBER, EASTER RULE etc. can be entered/changed in the submenus.

➤ Press **MENU** using ► select **DATE/TIME** and follow the indications on the display.

Settings do not have to be made if the date and time are received via GPS/DCF or the KNX bus.

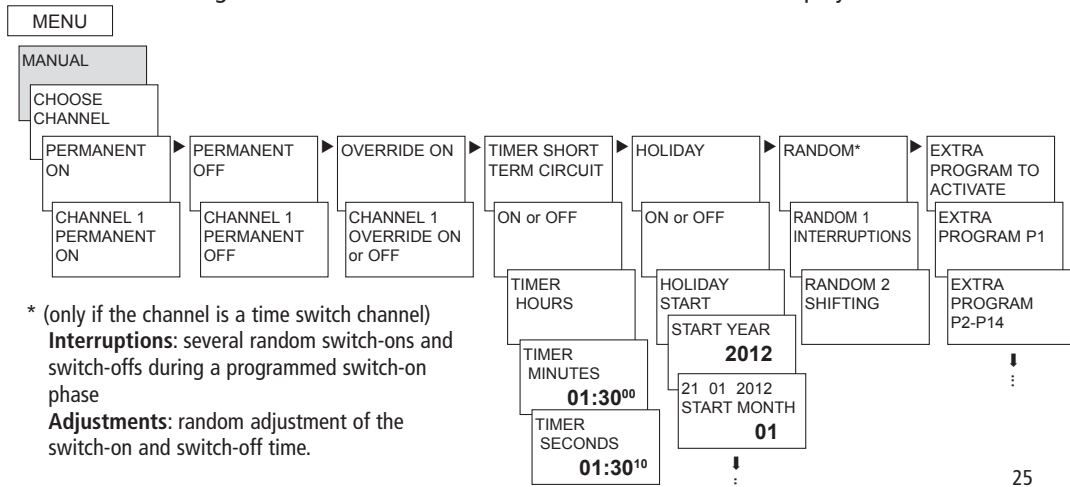




# MANUAL

In the MANUAL menu manual switch functions are applied. In the submenus MANUAL, PERMANENT ON/OFF, TIMER SHORT TERM CIRCUIT, HOLIDAY, RANDOM as well as ACTIVATE EXTRA PROGRAM the manual switching can be activated/programmed.

➤ Press **MENU** using ► select **MANUAL** and follow the indications on the display.



## Manual and permanent switching

Manual and permanent switching can be set using the menu in **MANUAL**.

### **Manual switching**

Reversing the channel status to the next automatic or programmed switching.

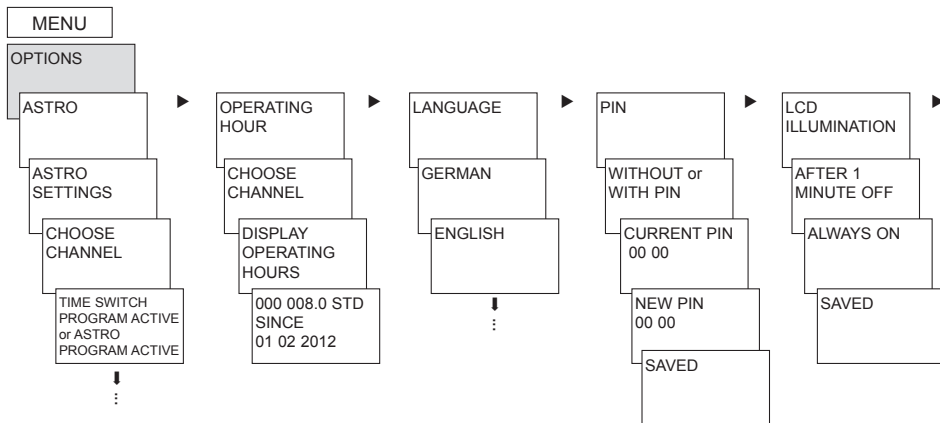
### **Permanent switching**

As long as a permanent switching (on or off) is activated, the programmed switching times are ineffective.

## OPTIONS

In the menu **OPTIONS** the submenus **ASTRO**, **OPERATING HOUR**, **LANGUAGE**, **PIN**, **LCD ILLUMINATION**, **FACTORY SETTINGS** as well as **INFO** can be requested.

➤ Press **MENU** using ► select **OPTIONS** and follow the indications on the display.



## Set ASTRO program

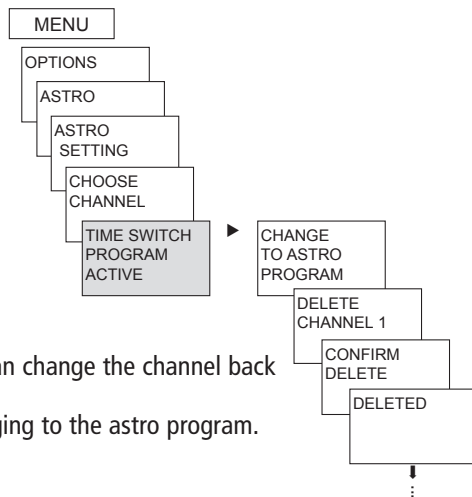
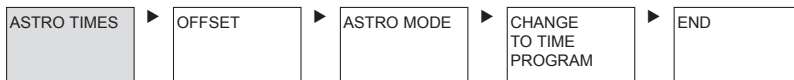
... if a time switch program is active.


- Press **MENU** using ► select **OPTIONS** and follow the instructions on the display.

You will automatically be taken to the setting for the POSITION data (COUNTRY or COORDINATES input) and the ASTRO SETTINGS (OFFSET and ASTRO MODE).

If an ASTRO program is activated on a channel you can change the channel back to the time switch program.  
Programmed switching times are deleted when changing to the astro program.

... if astro times are active.



In the **OPTIONS** submenu **ASTRO** it is possible – after a channel has been changed to astro program – to request or change astro times, offset, astro mode as well as position (location). If a channel is set as an astro channel the symbol is displayed  and the astro times are accessed after the channel selection.

- **ASTRO TIMES**

Astro time display (sun rise and sunset as well as offset) for the current day

- **OFFSET**

With the offset (adjustment value) the calculated astro times can be adjusted by max. +/- 2 hrs. This means that the astro on and off switching time can be adapted to local conditions (e.g. mountains, high buildings etc.) or to personal requirements.

- **ASTRO MODE**

– Evenings **on**, mornings **off**

At sunset it switches **on**, at sunrise it switches **off** (e.g.: street lighting)

– Evenings **off**, mornings **on**

At sunset it switches **off**, at sunrise it switches **on** (e.g.: Terrarium)

– **Astro pulse**: Evenings and mornings, only mornings or only evenings; pulse duration max. 59 min, 59 sec)

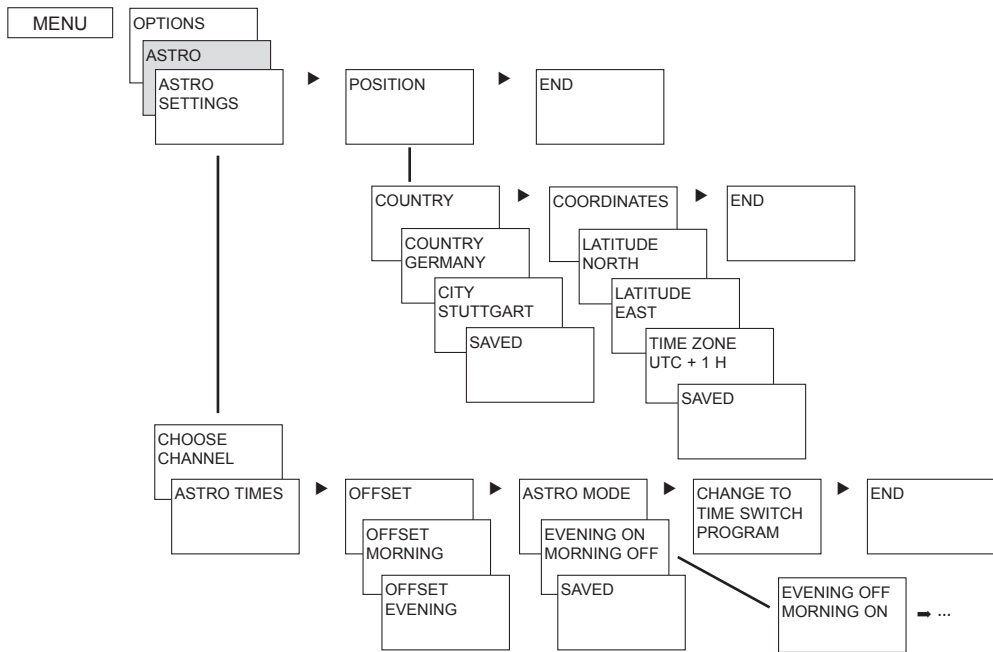
- **POSITION**

– setting of the location using **coordinates** (longitude/latitude, time zone) or **country/city**

– With the memory card Obelisk up to 10 more cities (= **Favourites**) can be added

– Own Astro table (with Obelisk program)

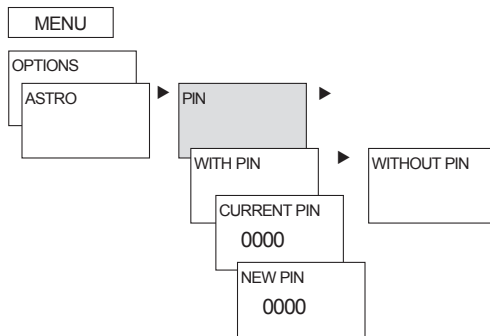
– Automatic setting if antenna GPS is connected (settings must be made via the ETS if the antenna is connected)



## Enter PIN code

The **PIN-Code** is set in **OPTIONS** via the menu.

If you have lost your PIN please call the helpline.



## Time signal received with DCF antenna or GPS antenna

- The time signal can be received via the antenna or the KNX bus. Settings must be made via the ETS if antennas are connected.
- Suitable antenna: **DCF antenna** (2CDG120040R0011) or **GPS antenna** (2CDG120041R0011).
- By connecting the DCF or GPS antenna the time switch can be automatically synchronised via the DCF or GPS time signal. The time zone can be individually set. Upon receipt of GPS data the GPS coordinates are also transferred to the time switch.
- After connection to the power supply or resetting there is change to the automatic display after 70 sec, as soon as the DCF or GPS time signal has been received.
- **Align DCF antenna** in the direction of Frankfurt am Main (best reception is achieved by installing on the outside of the building).
- **Follow advice in the DCF or GPS antenna operating instructions.**



- NOTE**
- When connecting ensure correct polarity.
  - Observe maximum cable length of 100 m.
  - Align the radio antenna so that the green LED flashes once a second.
  - A maximum of 5 365-day time switches can be connected to one antenna.

## Setting time zones

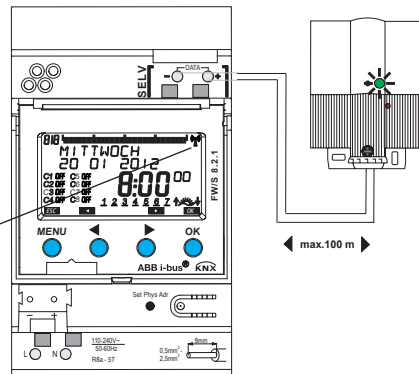
After successful synchronisation, the time zone can be altered in the TIME/DATE menu option.

- In the submenu TIME (display: SET HOUR) correct the applicable local time (time zone).

Reception of the DCF-/GPS time signal:  
Display: RC (Radio Control) + Y

No reception of the DCF-/GPS time signal:  
Display: Y

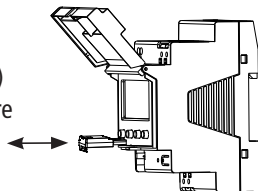
No connection to antenna:  
Display: no RC, Y



# Obelisk memory card

## Use memory card (see fig.)

- Insert memory card in the time switch.
- Read / read out saved switching times and device settings in the time switch or start Obelisk program.
- Remove memory card Obelisk (2CDG120043R0011) after copying and store in the cover.



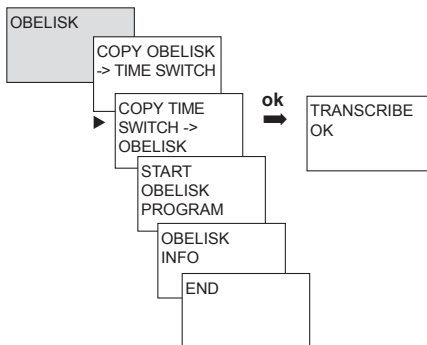
Avoid mechanical stress or dirtying with other storage/transport methods.

## Copy OBELISK → Time switch

This copies the switching program (all standard and special programs) and optionally all time switch (e.g. Position, offset, external input, time format etc.) from the memory card in the time switch.

## Copy TIME SWITCH → OBELISK

This copies all switching programs and settings from the time switch to the memory card



## Technical data

- Operating voltage: 110–240 V AC, –15 %/+10 %
- Frequency: 50–60 Hz
- Power consumption: 2,5 W (+ 1 antenna GPS)
- Standby min.: 0,2 W
- Protection class: II in accordance with EN 60730-1 subject to designated installation
- Power supply on the DATA bus: 100 mA (maximum power on the DATA bus: 500 mA)
- Rated impulse withstand voltage: 4 kV
- Data output: Safety Extra-Low Voltage (SELV)
- Permissible ambient temperature: –5 °C ... +45 °C
- Protection rating: IP 20 in accordance with EN 60529
- Time accuracy:  $\leq 0,5$  s/day at 25 °C
- Power reserve: 8 years (lithium cell) at +20 °C
- Pollution degree: 2
- Max. cable cross-section: 2,5 mm<sup>2</sup>
- Operating voltage KNX: bus voltage  $\leq 12$  mA
- Cable length: 100 m (YCYM 2 x 2 x 0.8 mm 2 pairs for DATA bus)  
50 m (YCYM 2 x 2 x 0.8 mm 1 pair each for KNX and DATA bus)

## Service address

### **ABB STOTZ-KONTAKT GmbH**

Eppelheimer Straße 82

69123 Heidelberg

Germany

Tel. +49 6221 701-434

Fax +49 6221 701-724

**[www.abb.com/knx](http://www.abb.com/knx)**

The current Obelisk PC software (with time zone map)  
and the online version of the operating manual are  
available at

**[www.abb.com/knx](http://www.abb.com/knx)**