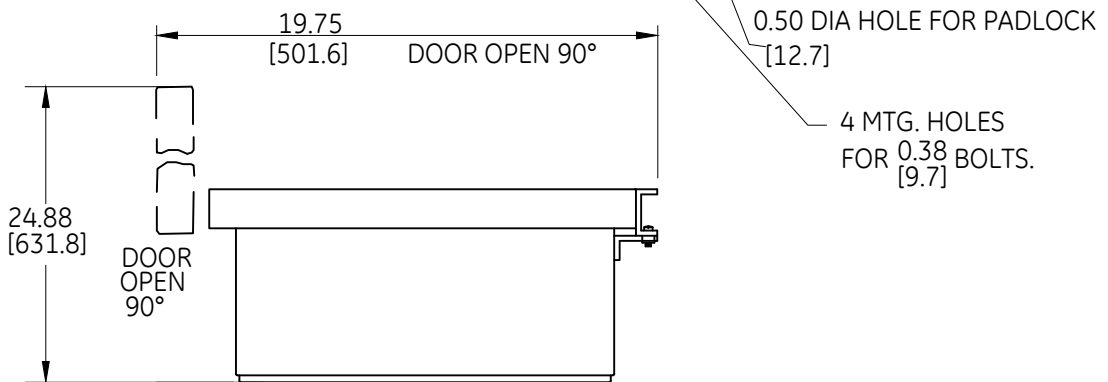
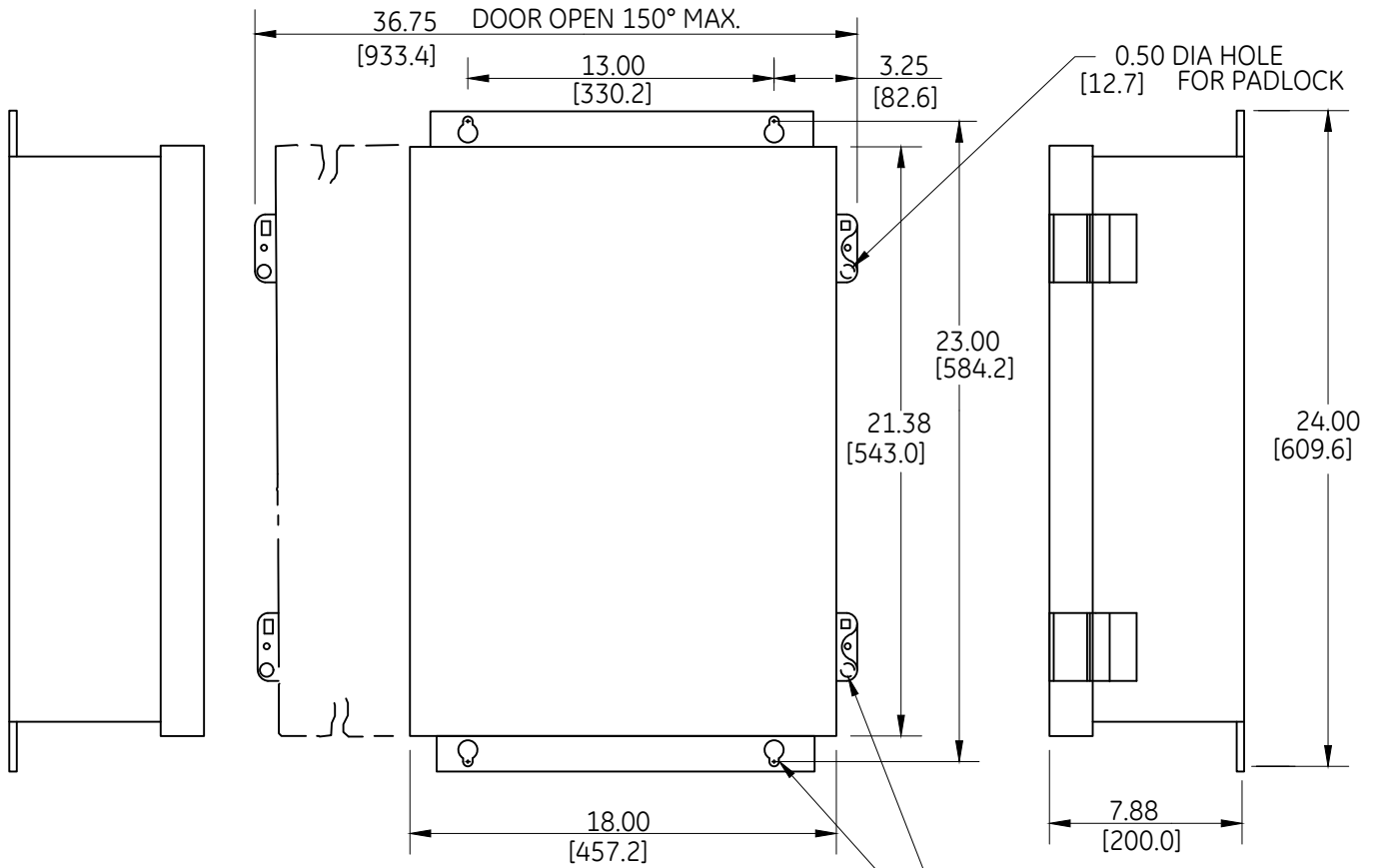
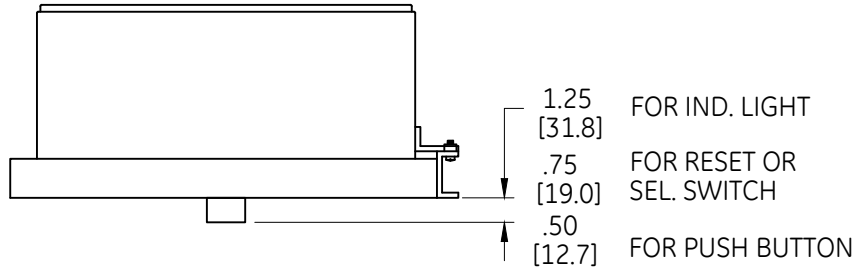


DUAL DIMENSIONS INCHES [MILLIMETERS] (ESTIMATING ONLY)



OUTLINE  
 TYPE 12 ENCLOSED

THIRD ANGLE	SHEET#	DWG NO.	DATE	REV
	1 of 1	55-200209	03/21	03