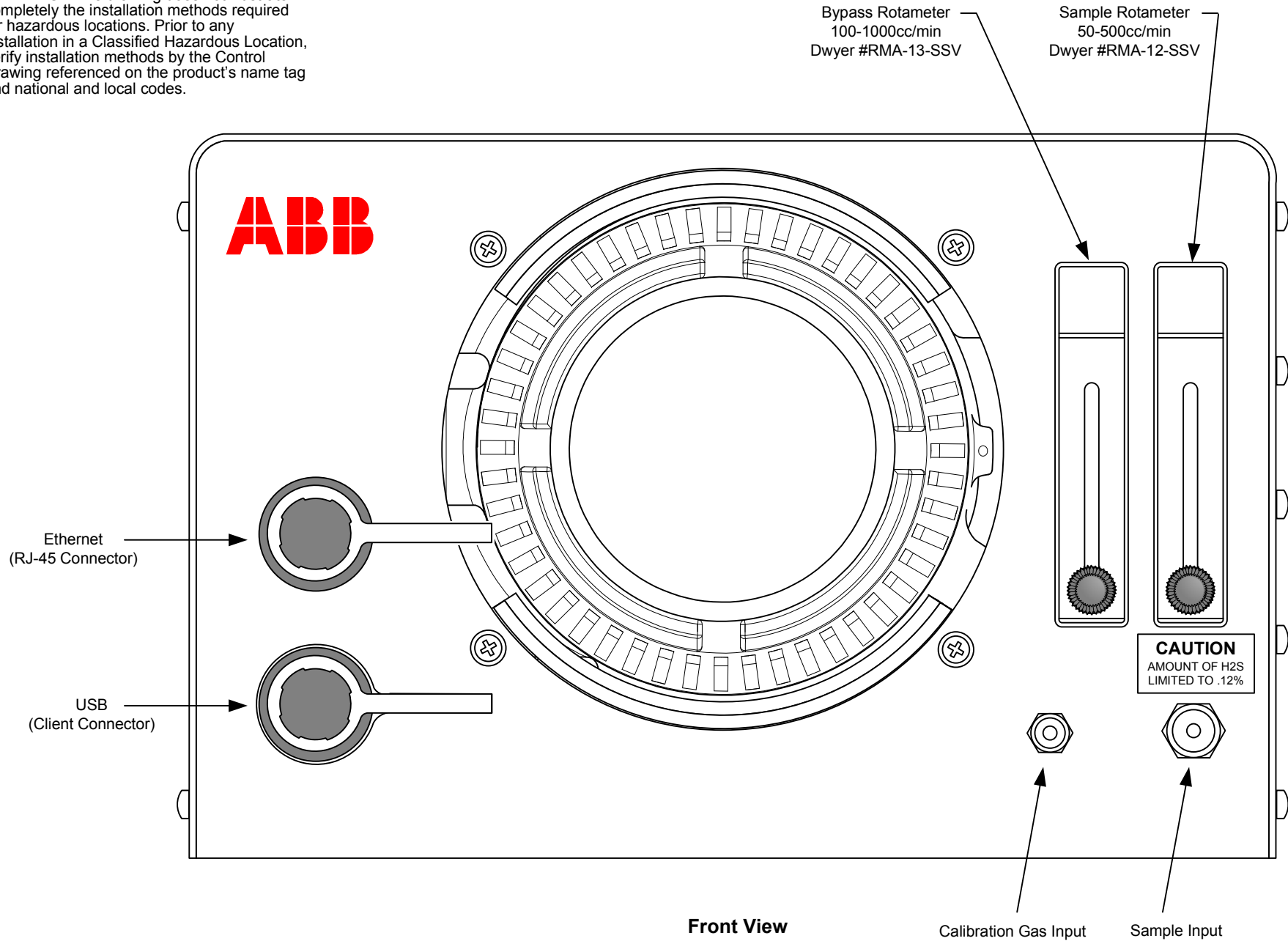


**NOTES:**

1. **WARNING:** This drawing does not illustrate completely the installation methods required for hazardous locations. Prior to any installation in a Classified Hazardous Location, verify installation methods by the Control Drawing referenced on the product's name tag and national and local codes.



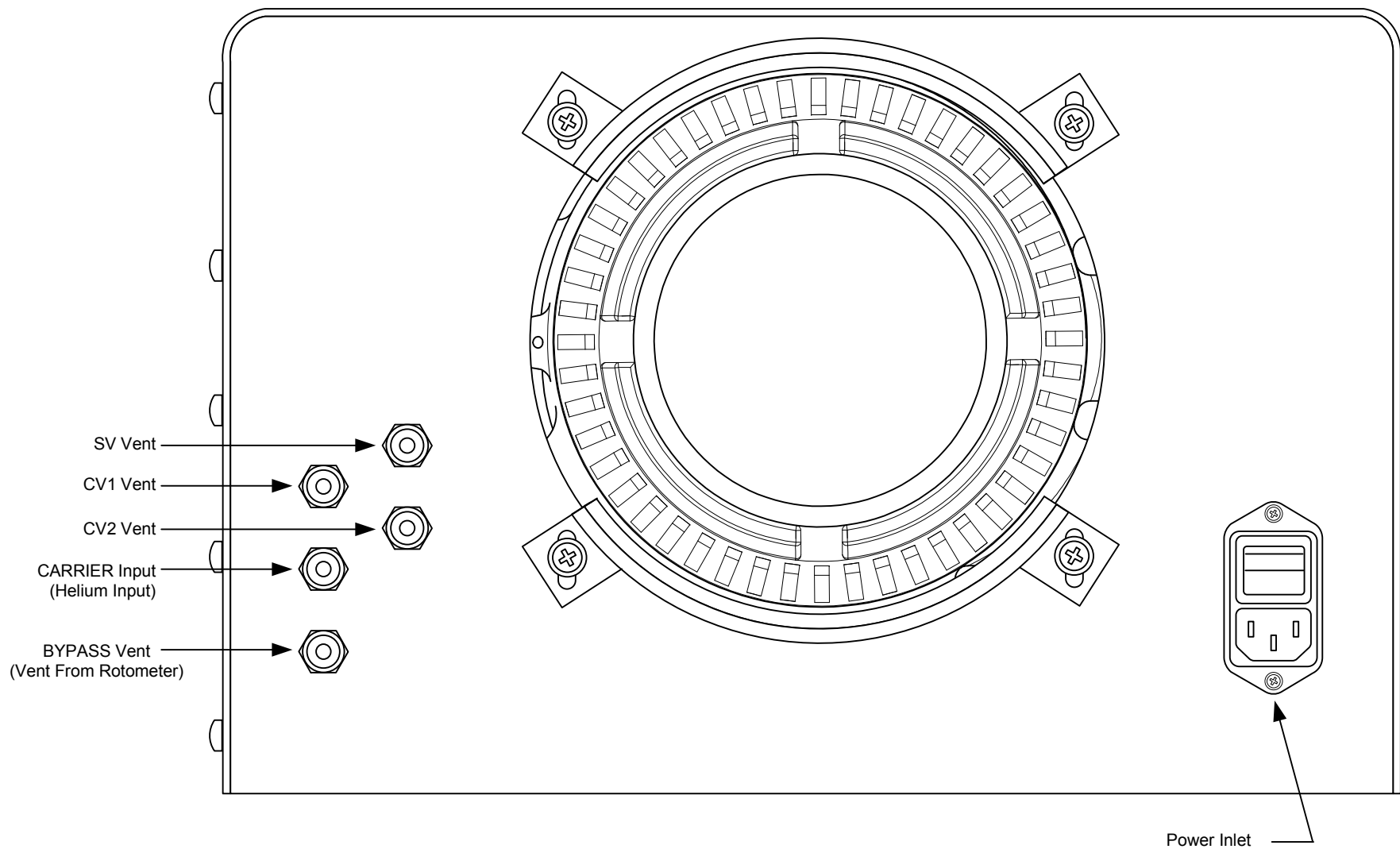
**Front View**

REF: N/A

	<b>TOTALFLOW</b> Products	ACTION	DOC TYPE	TITLE	DWG NO.	REV	SHEET
		L19896	UD	NGC PORTABLE UNIT	2103337	AA	1 OF 8

NOTES:

1. WARNING: This drawing does not illustrate completely the installation methods required for hazardous locations. Prior to any installation in a Classified Hazardous Location, verify installation methods by the Control Drawing referenced on the product's name tag and national and local codes.



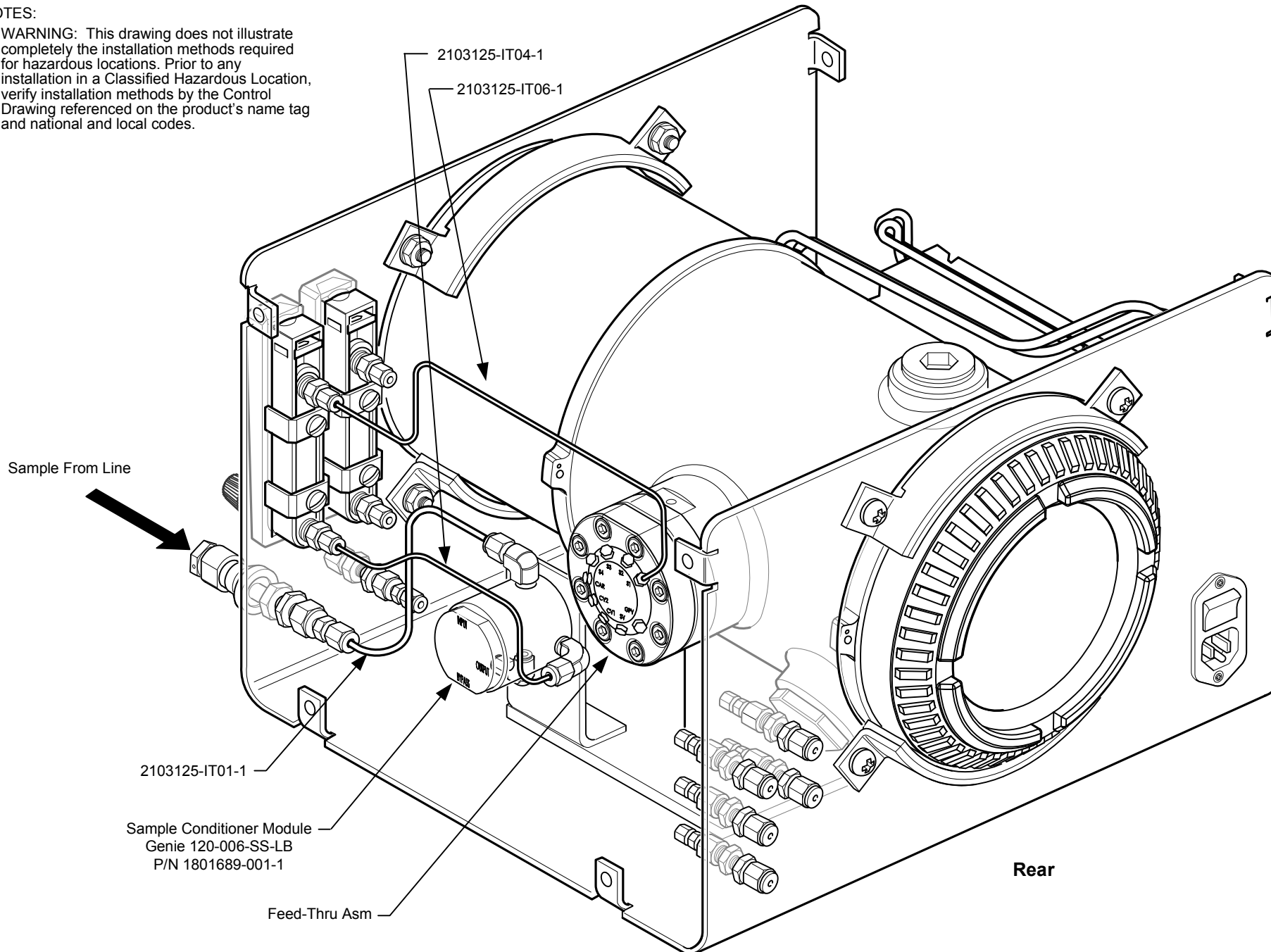
Rear View

REF:N/A

<b>ABB</b>	TOTALFLOW Products	ACTION	DOC TYPE	TITLE	DWG NO.	REV	SHEET
		L19896	UD	NGC PORTABLE UNIT	2103337	AA	2 OF 8

NOTES:

1. WARNING: This drawing does not illustrate completely the installation methods required for hazardous locations. Prior to any installation in a Classified Hazardous Location, verify installation methods by the Control Drawing referenced on the product's name tag and national and local codes.



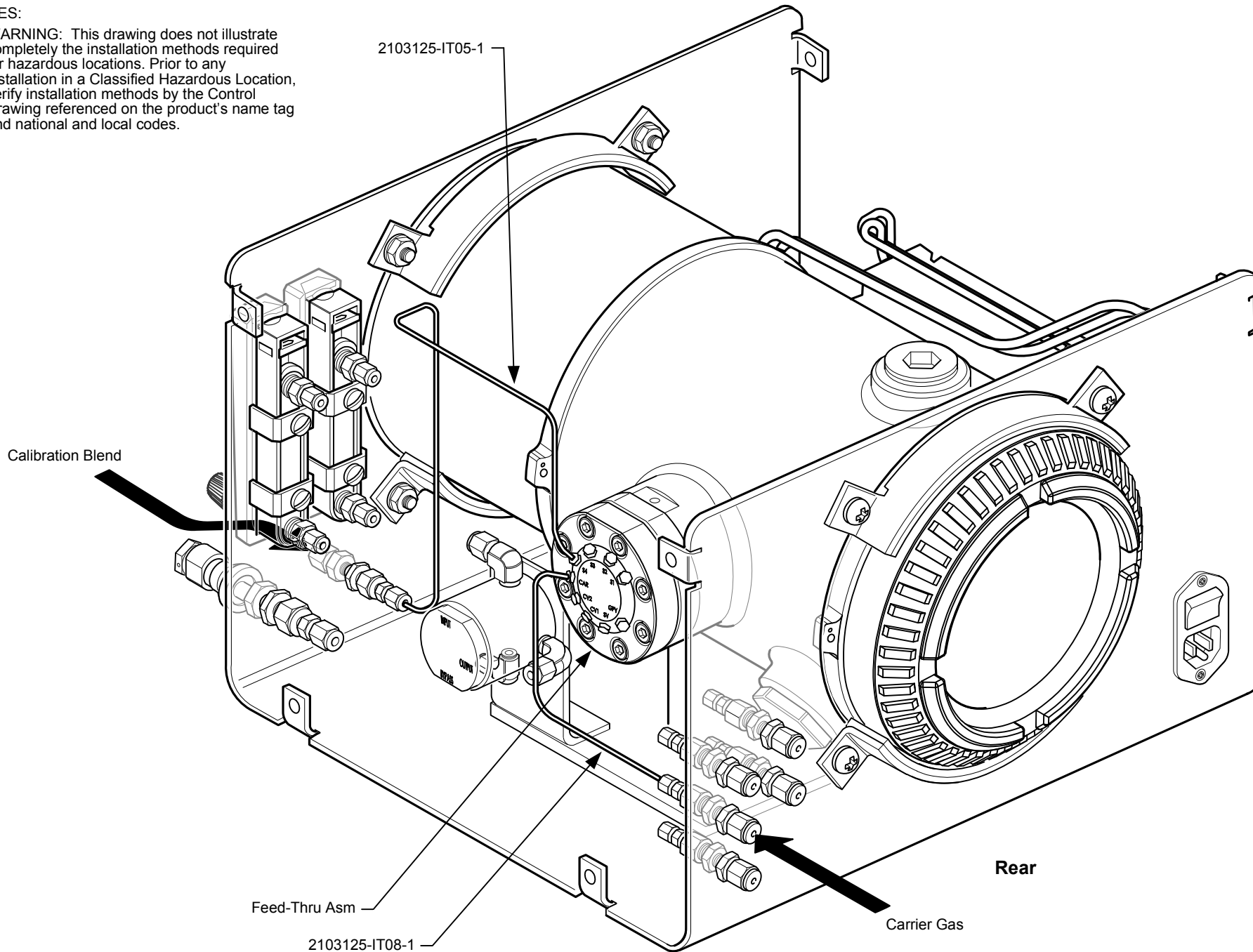
Sample Tubing

REF: N/A

	TOTALFLOW	ACTION	DOC TYPE	TITLE	DWG NO.	REV	SHEET
	Products	L19896	UD	NGC PORTABLE UNIT	2103337	AA	3 OF 8

NOTES:

1. WARNING: This drawing does not illustrate completely the installation methods required for hazardous locations. Prior to any installation in a Classified Hazardous Location, verify installation methods by the Control Drawing referenced on the product's name tag and national and local codes.



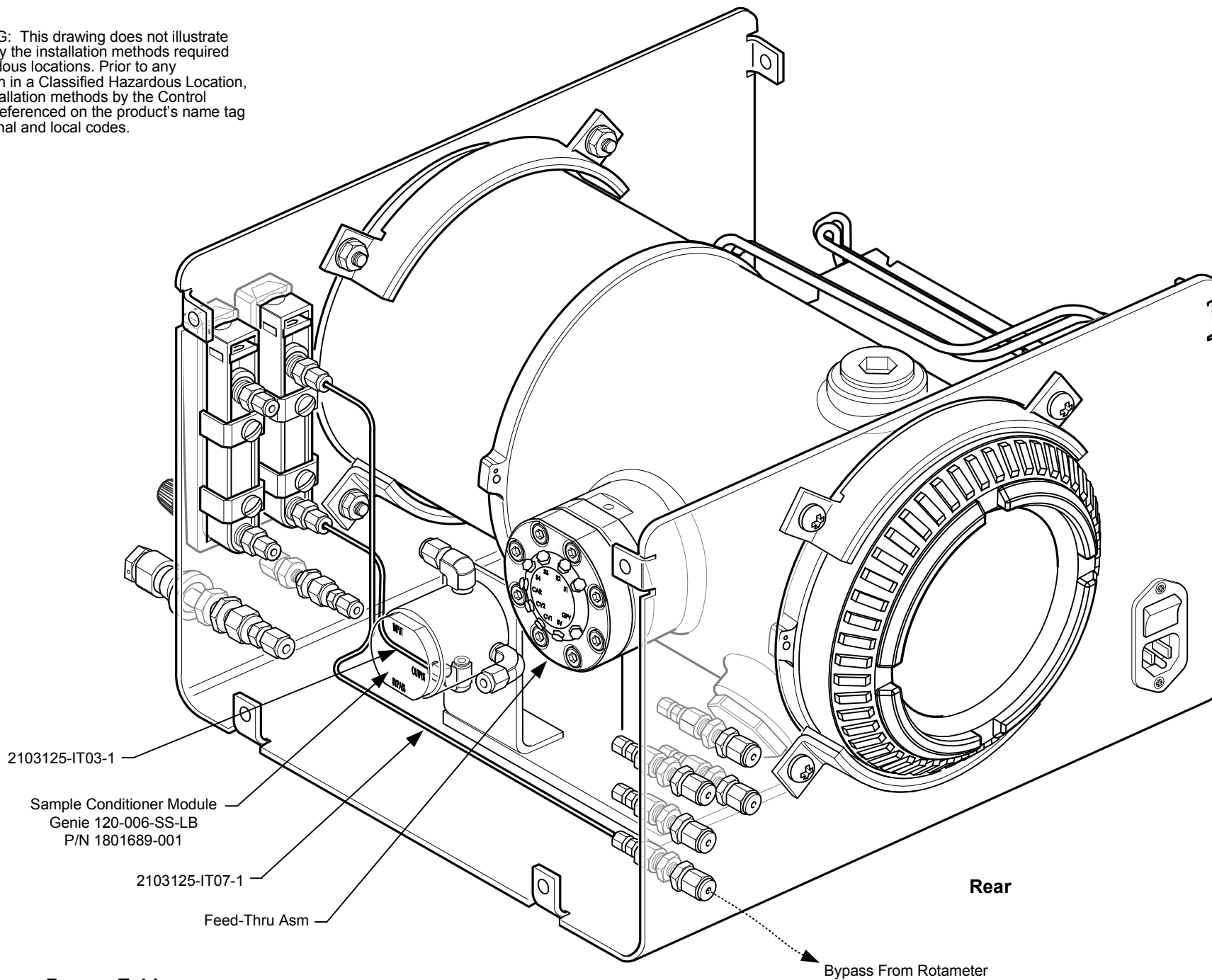
**Calibration and Carrier Gas Tubing**

REF: N/A

<b>ABB</b>	TOTALFLOW Products	ACTION	DOC TYPE	TITLE	DWG NO.	REV	SHEET
		L19896	UD	NGC PORTABLE UNIT	2103337	AA	4 OF 8

NOTES:

1. WARNING: This drawing does not illustrate completely the installation methods required for hazardous locations. Prior to any installation in a Classified Hazardous Location, verify installation methods by the Control Drawing referenced on the product's name tag and national and local codes.



**Bypass Tubing**

**Rear**

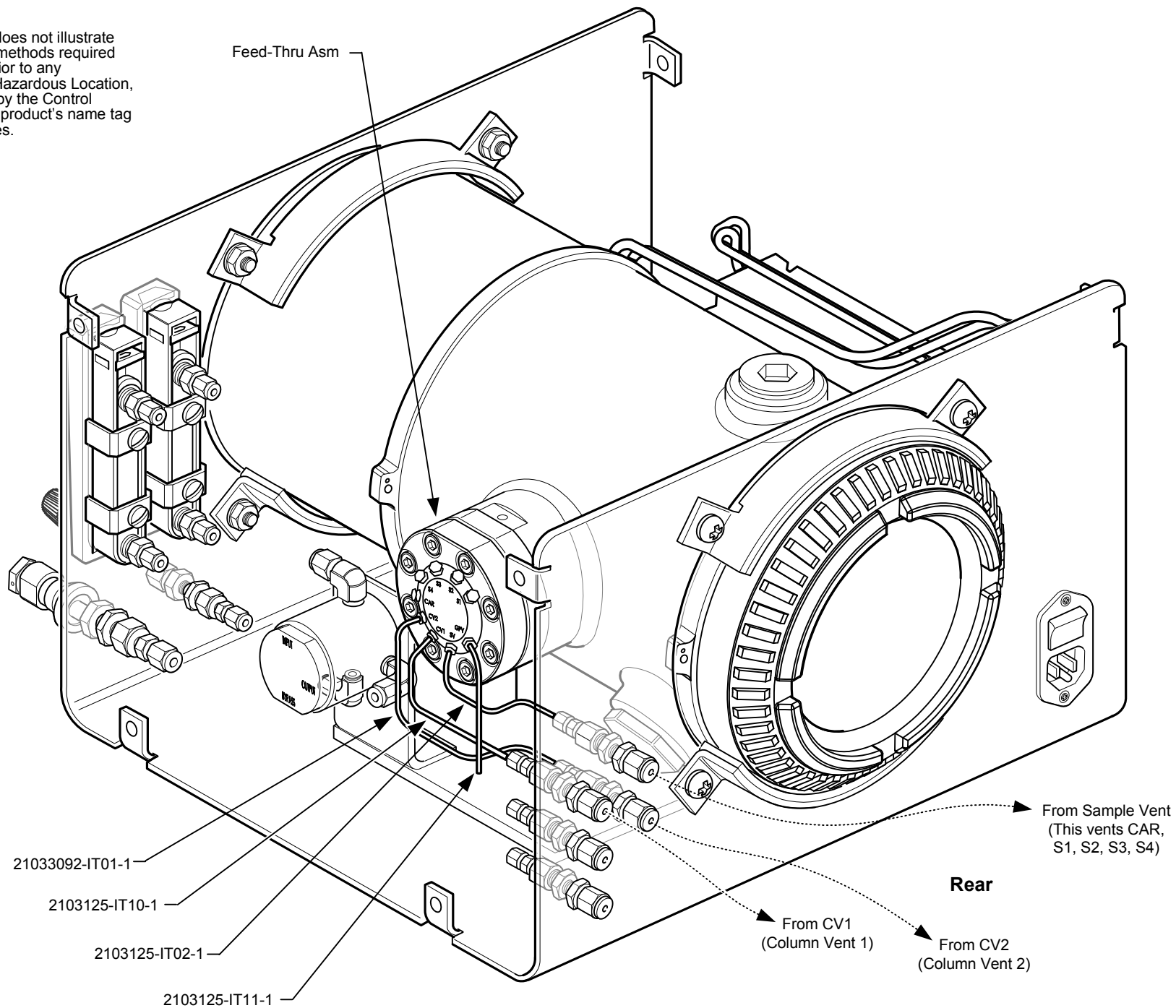
Bypass From Rotameter

REF: N/A

 <b>TOTALFLOW</b> Products	ACTION	DOC TYPE	TITLE	DWG NO.	REV	SHEET
	L19896	UD	NGC PORTABLE UNIT	2103337	AA	5 OF 8

NOTES:

1. WARNING: This drawing does not illustrate completely the installation methods required for hazardous locations. Prior to any installation in a Classified Hazardous Location, verify installation methods by the Control Drawing referenced on the product's name tag and national and local codes.



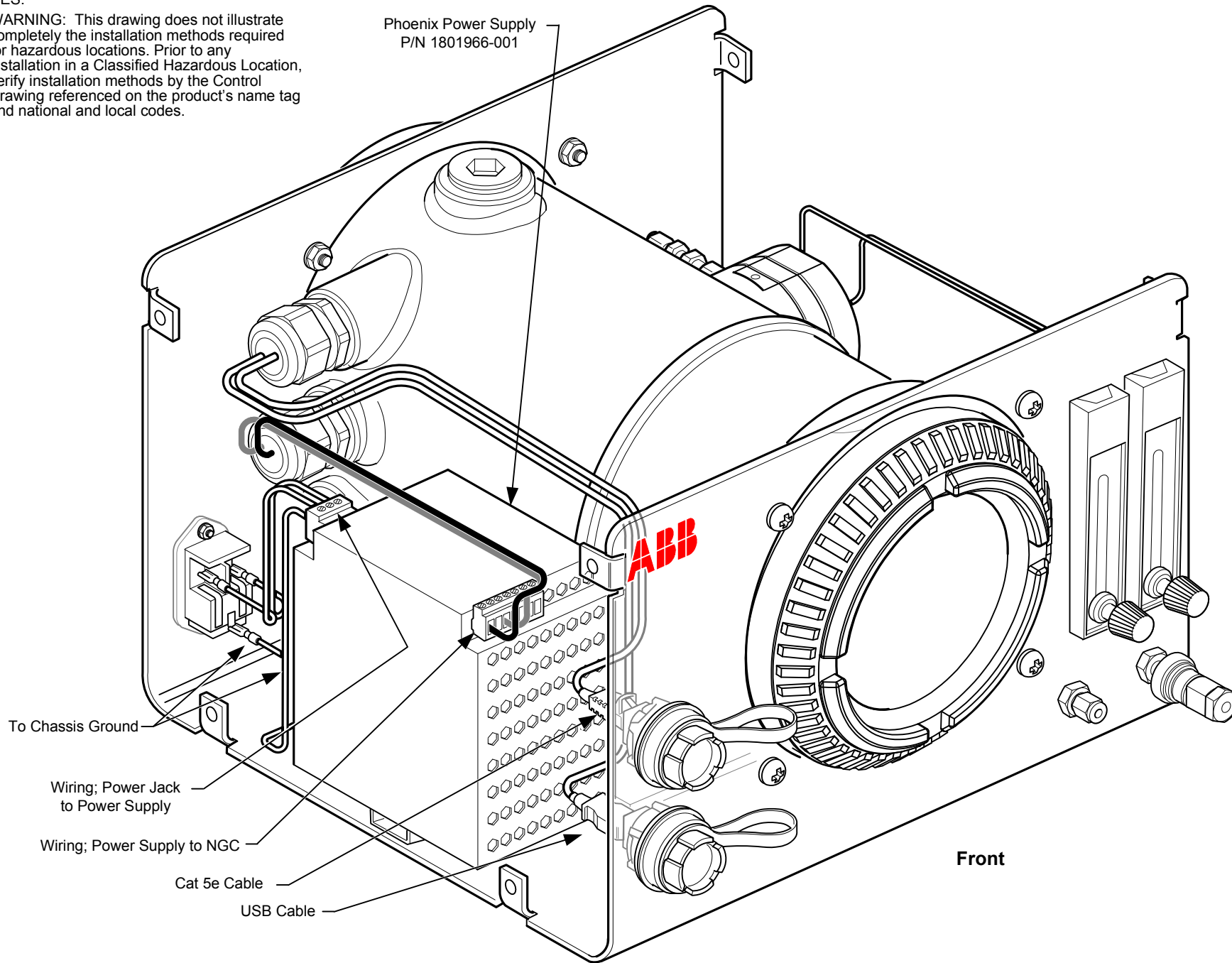
Vent Tubing

REF: N/A

 <b>ABB</b> TOTALFLOW Products	ACTION	DOC TYPE	TITLE	DWG NO.	REV	SHEET
	L19896	UD	NGC PORTABLE UNIT	2103337	AA	6 OF 8

NOTES:

1. WARNING: This drawing does not illustrate completely the installation methods required for hazardous locations. Prior to any installation in a Classified Hazardous Location, verify installation methods by the Control Drawing referenced on the product's name tag and national and local codes.



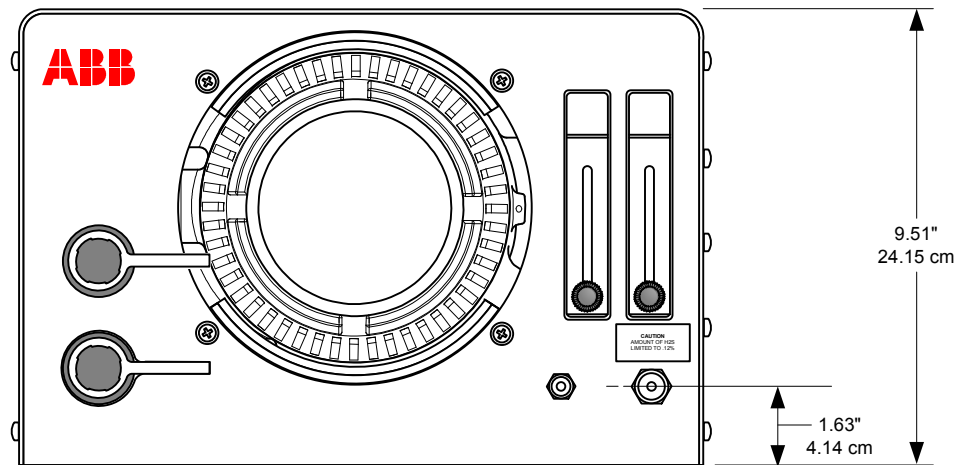
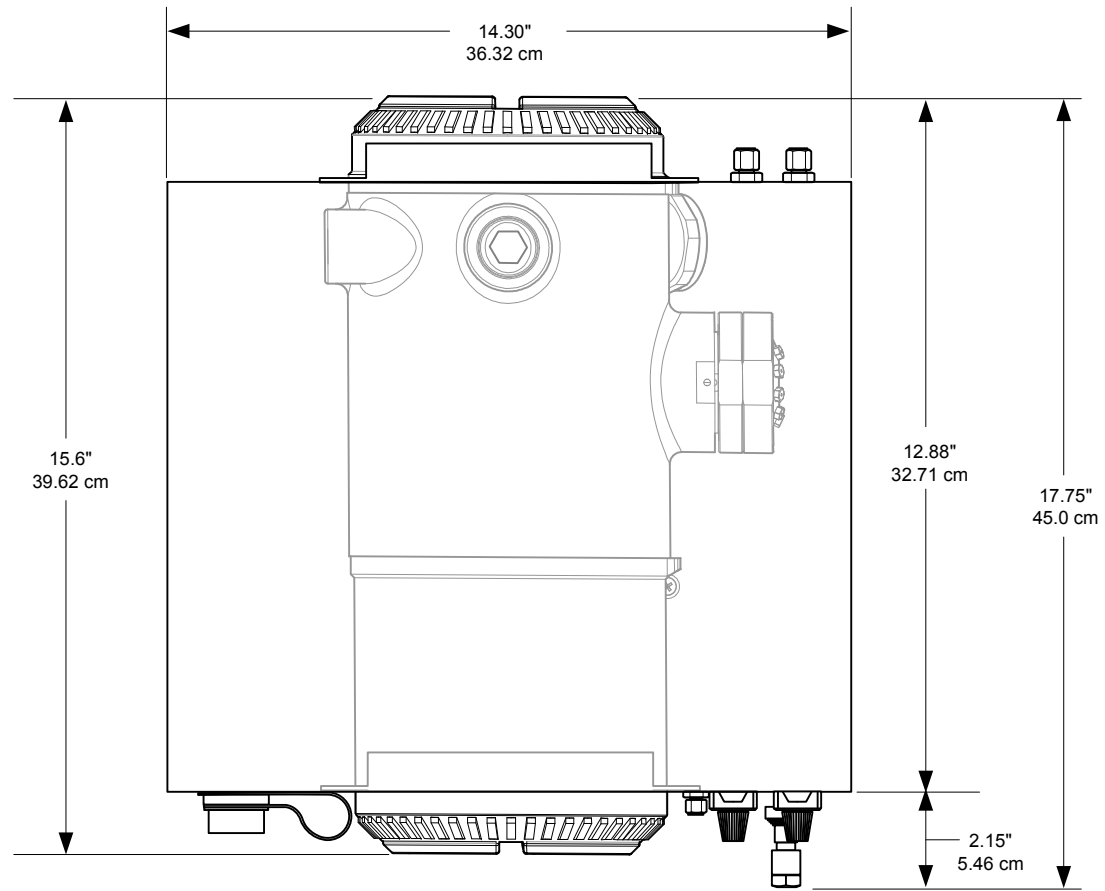
**Power & COMM Cables**

REF: N/A

<b>ABB</b>	TOTALFLOW	ACTION	DOC TYPE	TITLE	DWG NO.	REV	SHEET
	Products	L19896	UD	NGC PORTABLE UNIT	2103337	AA	7 OF 8

NOTES:

1. WARNING: This drawing does not illustrate completely the installation methods required for hazardous locations. Prior to any installation in a Classified Hazardous Location, verify installation methods by the Control Drawing referenced on the product's name tag and national and local codes.



REF: N/A

<b>ABB</b>	TOTALFLOW	ACTION	DOC TYPE	TITLE	DWG NO.	REV	SHEET
	Products	L19896	UD	NGC PORTABLE UNIT	2103337	AA	8 OF 8