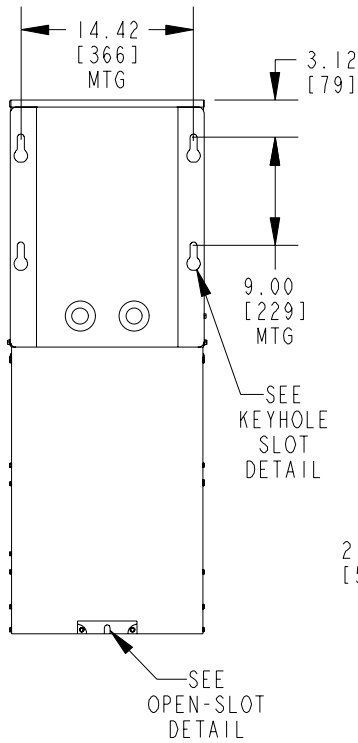
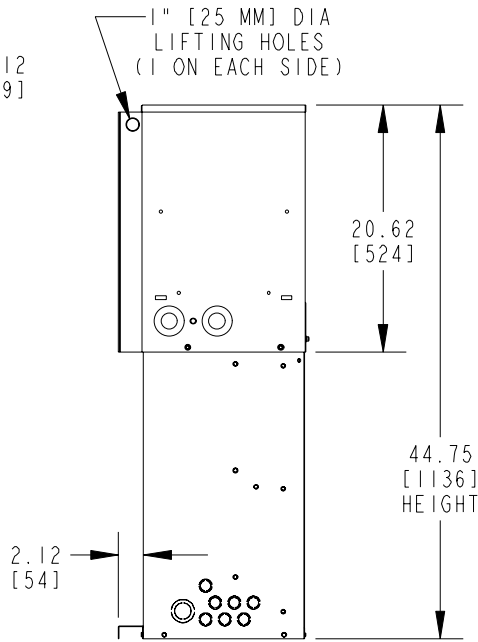


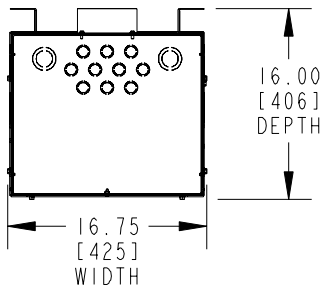
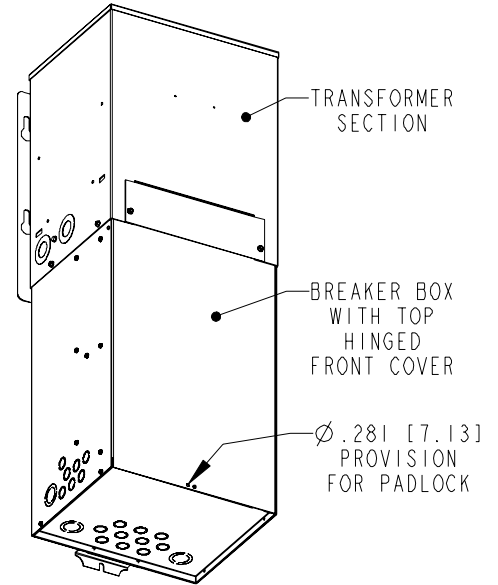
**REAR VIEW**



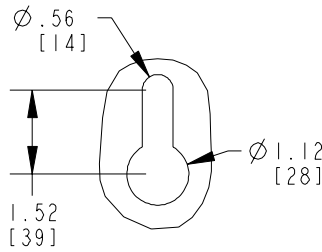
**SIDE VIEW**



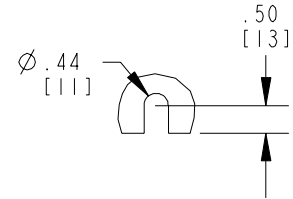
**ISOMETRIC VIEW**



**BOTTOM VIEW**



**KEYHOLE SLOT DETAIL**



**OPEN-SLOT DETAIL**

**APPROX TOTAL WEIGHT LBS [KG]**  
**PAINTED: 430 [195]**

**kVA RATING:**  
**K-FACTOR:**  
**PRI VOLTAGE:**  
**SEC VOLTAGE:**  
**FREQ (Hz):**  
**TEMP RISE:**  
**WINDING MATL:**  
**ES SHIELD:**  
**SOUND LVL (dB):**

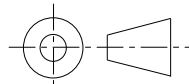
KNOCKOUTS	CONDUIT SIZE	QUANTITY	
		EACH SIDE	REAR/BOTTOM
TRANSFORMER	1" OR 2" [27 OR 53]	2	2
BREAKER BOX	1/2" OR 3/4" [16 OR 21]	7	10
	1" OR 1-1/2" [27 OR 41]	1	2

**JOB NAME:**

UNLESS OTHERWISE SPECIFIED  
 ALL DIMENSIONS ARE INCH [MM]



THIRD ANGLE PROJECTION



**DRY TYPE TRANSFORMER OUTLINE DRAWING**  
**TYPE QMS/SERVICENTER, 1-PHASE**  
**(INDOOR/OUTDOOR MINI-UNIT SUBSTATION)**

[electrification.us.abb.com](http://electrification.us.abb.com)

CAD DRAWING: 303B915AAP025

SHEET 1 OF 1

CATALOG #

REV **7**