

We reserve all rights in this document and in the information contained therein. Reproduction, use or disclosure to third parties without express authority is strictly forbidden. © ABB 19

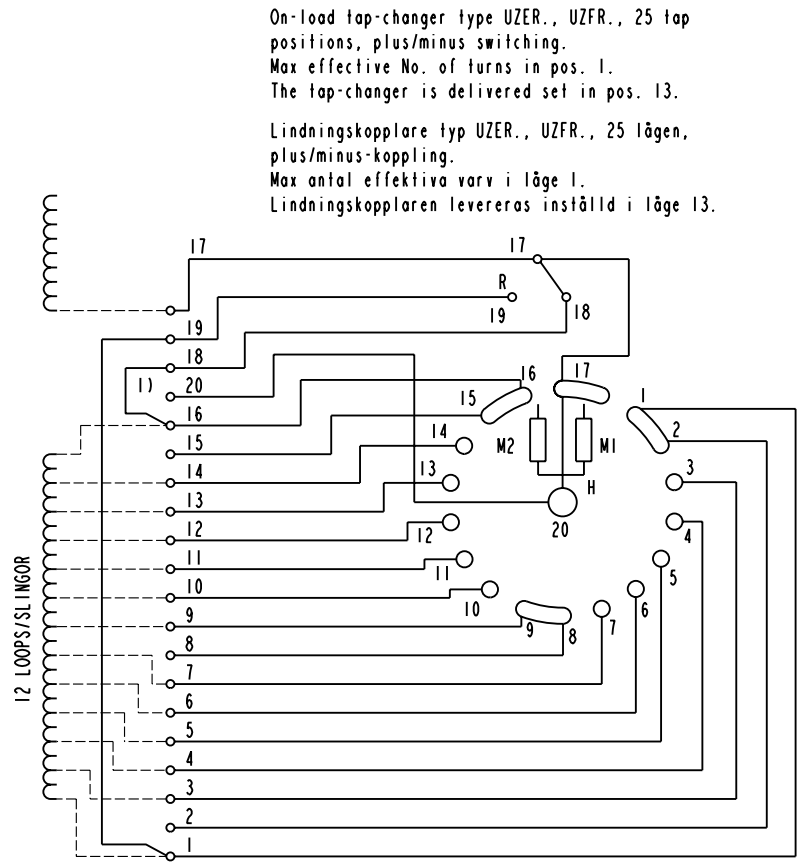
Pos. Läge	R connects förbinder	H connects förbinder
1	17-18	2-20
2		3-20
3		4-20
4		5-20
5		6-20
6		7-20
7A		8-20
7		9-20
8		10-20
9		11-20
10		12-20
11		13-20
12		14-20
13A	15-20	
13B	16-20	
13	17-19	17-20
13C		1-20
13D		2-20
13E		3-20
14		4-20
15		5-20
16		6-20
17		7-20
18		8-20
19		9-20
19A		10-20
20		11-20
21	12-20	
22	13-20	
23	14-20	
24	15-20	
25		15-20

A position with letter is a through position and gives the same voltage as the normal position.

Läge med bokstav är ett genomloppsläge och ger samma spänning som normalläget.

1) Connections between the terminals 20 of the three phases are included in the star-point type.

Förbindningar mellan uttag 20 i de tre faserna ingår i nollpunktsutförandet.



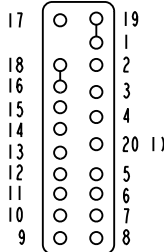
On-load tap-changer type UZER., UZFR., 25 tap positions, plus/minus switching.
Max effective No. of turns in pos. 1.
The tap-changer is delivered set in pos. 13.

Lindningskopplare typ UZER., UZFR., 25 lägen, plus/minus-koppling.
Max antal effektiva varv i läge 1.
Lindningskopplaren levereras inställd i läge 13.

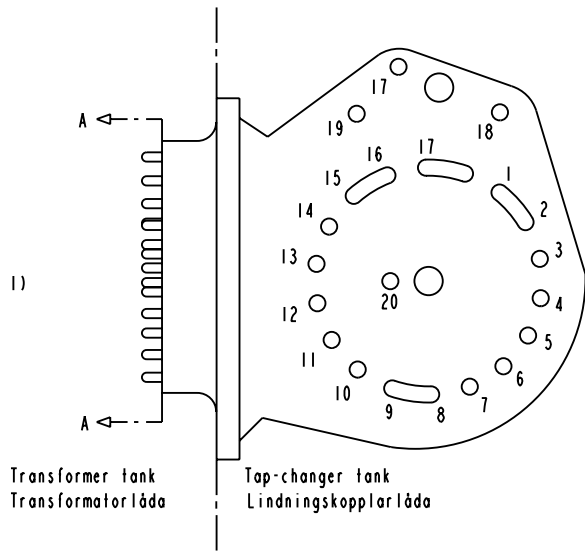
The tap-changer is shown in pos. 13
Lindningskopplaren visad i läge 13

- R Change-over selector
Plus/minus-omkopplare
- H Main contact
Huvudkontakt
- M1, M2 Transition contacts
Motståndskontakter

Terminal board
Plint



Section A-A
Sektion A-A



Transformer tank
Transformatorlåda

Tap-changer tank
Lindningskopplarlåda

Sheet	Cont
Year	Week
Dept	
Rev	
Dept	
Rev	
Dept	
Rev	
Dept	

Rev	In	Revision	Appd	Year	Week
Accepted by	qual control	R. Yngvesson	Accepted for prod by		
Description (English)	CONNECTION DIAGRAM				
Description (own language)	KOPPLINGSSCHEMA				
Design checked by	Design checked by	B-O. Stenestam	Drawn by	L. Bergman	
Design checked by	Design checked by	M. Hedlund	Issued by	Dept	Year Week
			COM/TKO	97	33
Lang		Sheet			
Rev		Cont			
-		-			



Asea Brown Boveri

5492 0394-9