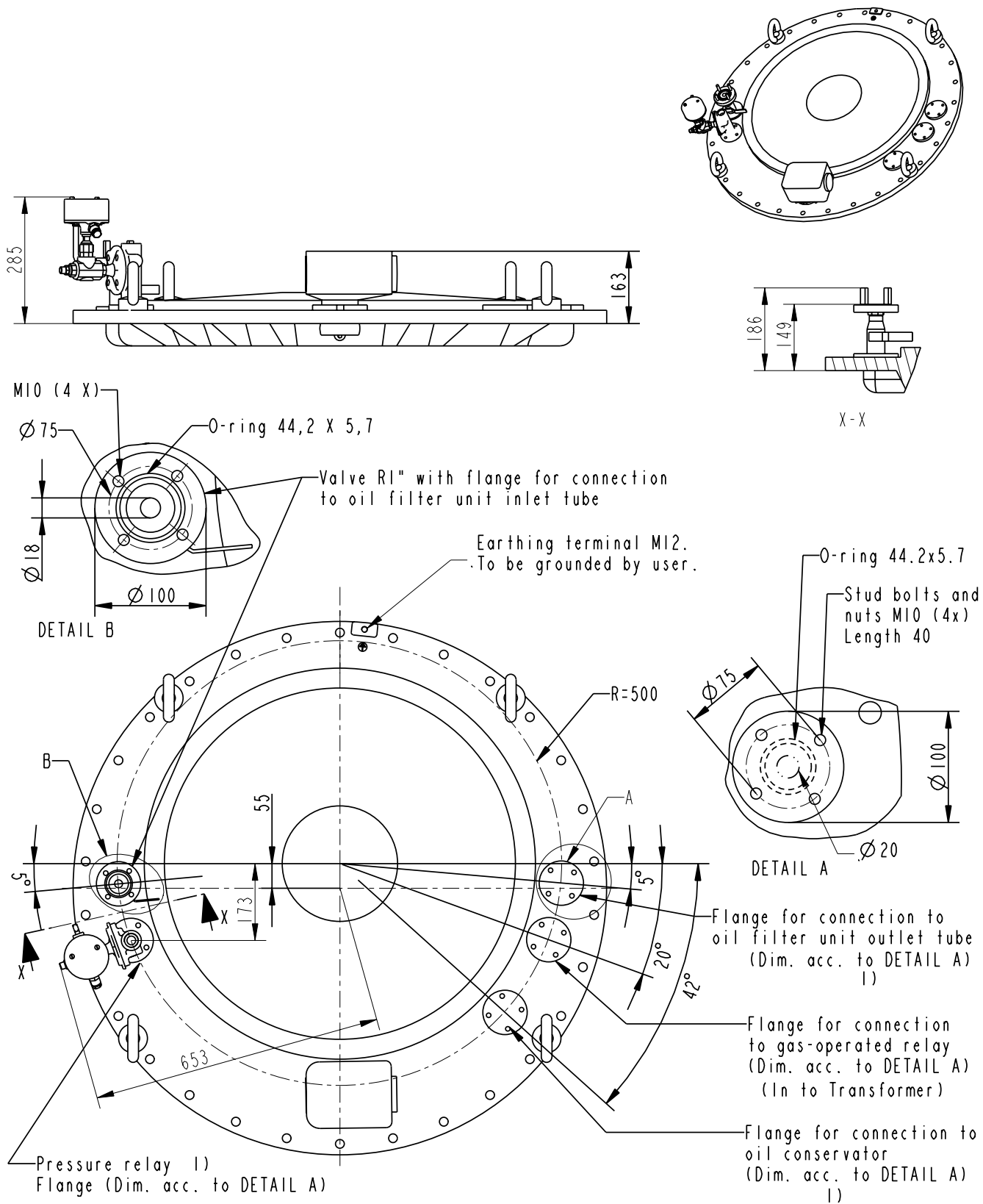


We reserve all rights in this document and in the information contained therein. Reproduction, use or disclosure to third parties without express authority is strictly forbidden. ©ABB

Production engineering review

Inspection engineering review

Design engineering review



1) These are interchangeable

Sheet 2 Fig 1-3 for pressure relief valve  
 Sheet 2 Fig 4 for tempensor TEC + pressure relay

Based on	Reg. No.	Title TOP SECTION, ACCESSORIES UCC/UCD WITH OIL FILTER UNIT	Language en	
Prepared G Forsberg 97-04-02	Responsible department COM/TK			Page 1(2)
Approved M Eriksson	Take over department			
Revision Rev 6 080311	Database DIMENSION_DWGS			
<b>ABB Components</b>		Document No.	54920087-3	

PRESSURE RELIEF VALVE (Flow dia 133mm)

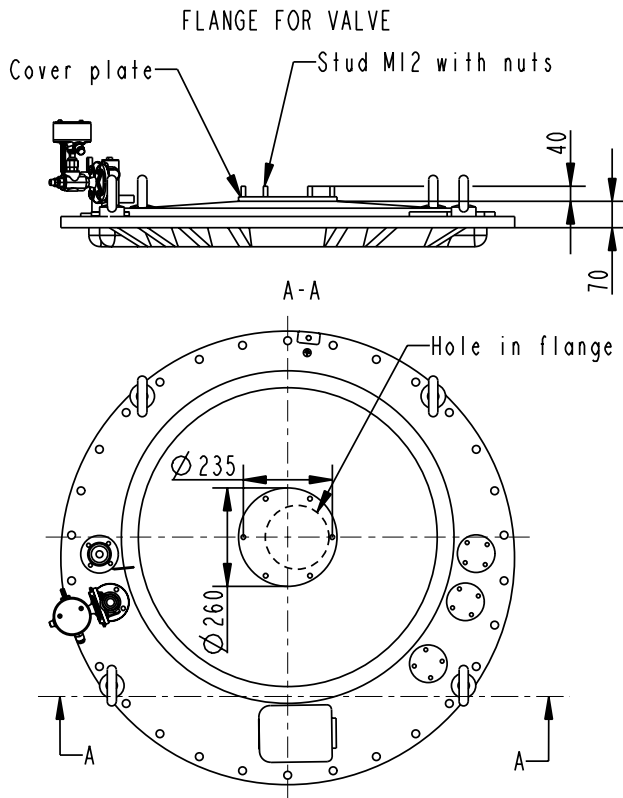


Fig 1

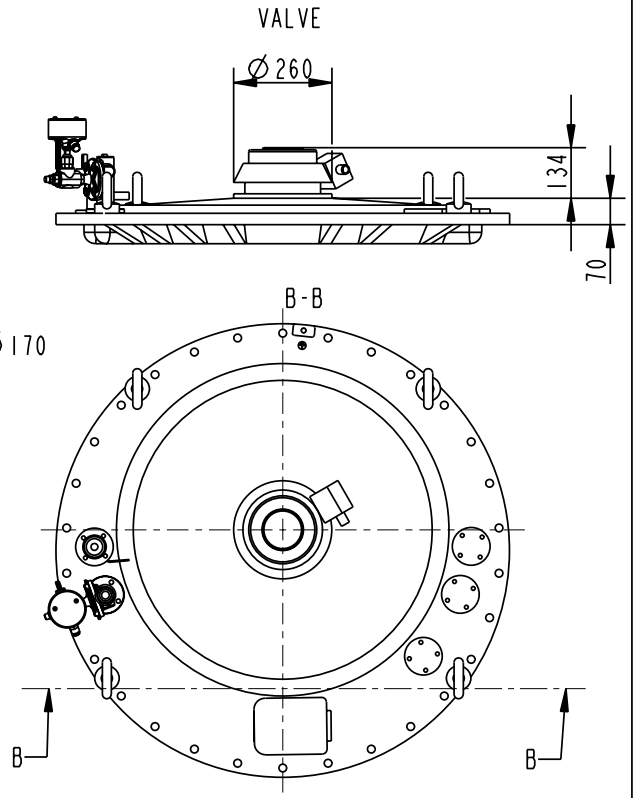


Fig 2

PRESSURE RELIEF VALVE (Flow dia 50mm)  
WITH COVER AND SIGNALLING SWITCH

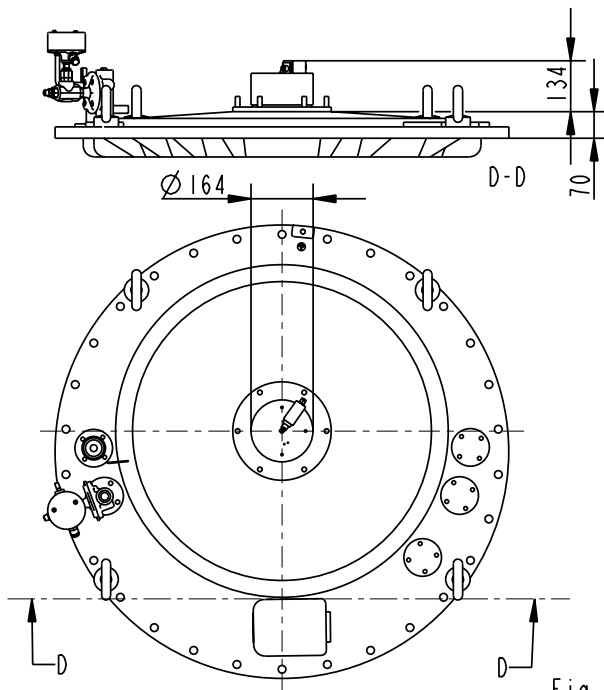


Fig 3

TEMPSENSOR  
WITH PRESSURE RELAY MOUNTED AT TEMPESENSOR HOUSING

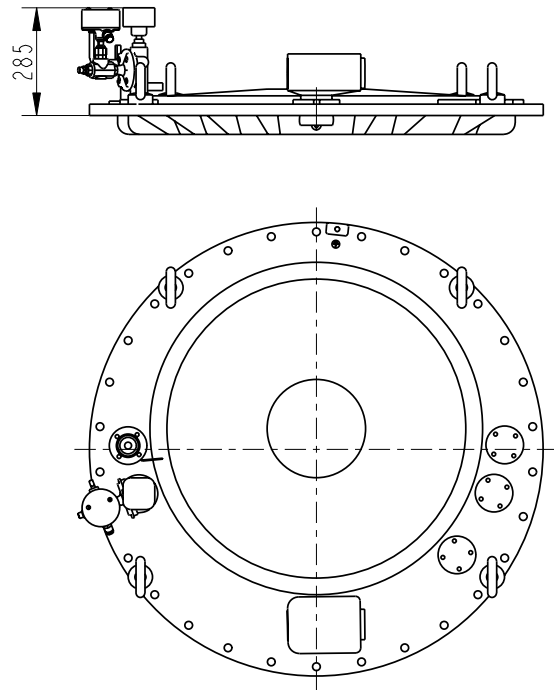


Fig 4

We reserve all rights in this document and in the information contained therein. Reproduction, use or disclosure to third parties without express authority is strictly forbidden. ©ABB

Production engineering review

Design engineering review

Inspection engineering review

Based on	Reg. No.	Title TOP SECTION, ACCESSORIES UCC/UCD WITH OIL FILTER UNIT	Language en	
Prepared G Forsberg 97-04-02	Responsible department COM/TK			Page 2(2)
Approved M Eriksson	Take over department			
Revision Rev 6 080311	Database DIMENSION_DWGS			
<b>ABB Components</b>		Document No.	54920087-3	