



DATASHEET

# THOMESURGE(P)

## Residential Surge Protection Device



01

### Features:

- 36 kA per Phase
- UL 1449 Listed
- 10 kA I-nominal Rating
- 200 kA SCCR
- Meets NEC 2020 Requirements

01 THOMESURGE residential surge protection device

### Product Specifications

#### General Specifications

Maximum Surge Current	36 kA per Phase
UL Type Designation	Type 1
UL 1449 I-nominal Rating	10 kA
UL 1449 Short Circuit Current Rating	65kA, tested to 200kA

#### Design Specifications

Custom MOV design for High Energy Handling in Category C locations

Thermally Protected MOVs

External Parallel Connected for Mounting next to Electrical Gear

Reduced Mode of Protection (L1-N, L2-N)

#### Diagnostic & Status Monitoring Specifications

LED Protection Status Monitoring (Single LED Standard)

#### Enclosure

Polycarbonate 4.25" x 2.41" x 2.75"

Lid ultrasonically sealed

NEMA 4X

1/2 inch NPT Side Mount Nipple

#### Filtering

NO

#### Technical data

Humidity Range 0 – 95% non-condensing

Operating Frequency 50 – 60 Hz

Operating Temperature -35°C to +85°C

Typical Connection 18" #14 AWG (pre-wired pig tails)

#### UL 1449 Performance Data

System Voltage	L-N	L-G	N-G	L-L	SCCR	MCOV
240/120V Split Ø	700	-	-	1200	200 kA	180

### Standards Compliance & Certifications

UL 1449 5th Edition: 2021, cULus, (UL File: VZCA.E316468), ANSI/IEEE C62.41.1-2002, C62.41.2-2002, C62.45-2002, NEC Article 285 ISO 9001: 2014 Quality Management System, ISO 17025:2007 Laboratory Certification (UL DAP Program) Compliance with RoHS, REACH & California Prop 65.

100% Quality Tested prior to shipping

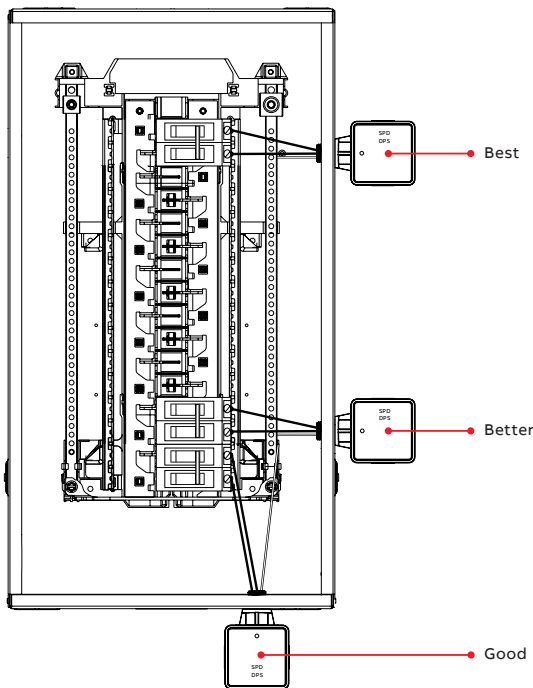
by ABB

### Installation Recommendations:

- A 2-pole, 20-amp breaker is required for installation
- The breaker can either be dedicated to the surge device or shared with another circuit<sup>1</sup>
- Install the breaker and surge device closest to the incoming line for best results
- Ensure the leads from the surge device to the breaker are as short as possible.

<sup>1</sup>GE/ABB breakers have multi-rated lugs. For best surge performance, use a dedicated breaker.

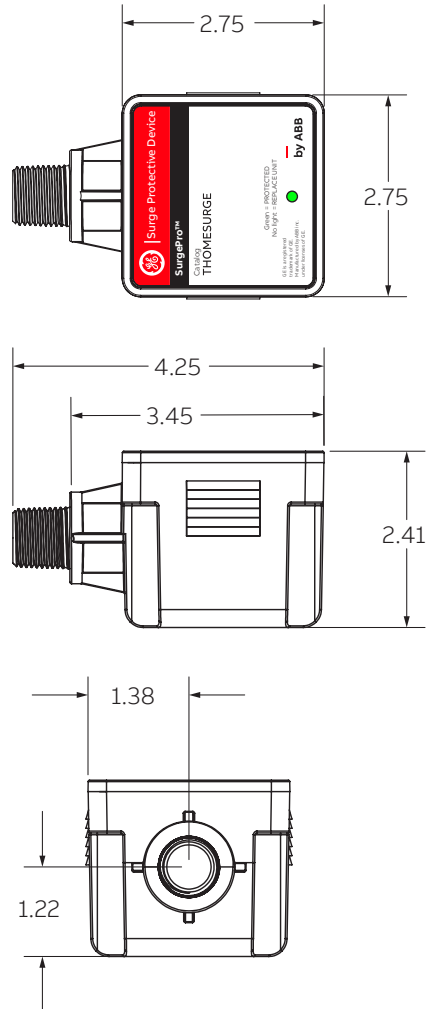
### Optimal Surge Placement



### Dimensions and mechanical specifications

Dimensions	4.25" x 2.41" x 2.75"
Weight	0.46 lbs
Enclosure Type	Polycarbonate NEMA 4X
Installation Type	Indoor / Outdoor
Mounting Method	Flush / Flange / Through-hole

### Product Diagram



### Wiring Configuration

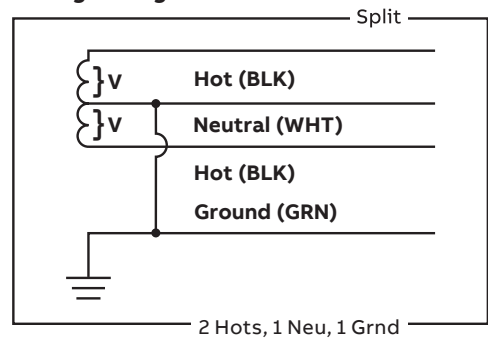


ABB Inc.  
305 Gregson Drive,  
Cary, NC 27511  
(888) 385-1221  
United States

[electrification.us.abb.com](http://electrification.us.abb.com)

GE is a trademark of GE.  
Manufactured by ABB Inc. under license  
from General Electric Company.

We reserve the right to make technical changes or modify the contents of this document without prior notice. With regard to purchase orders, the agreed particulars shall prevail. ABB Inc. does not accept any responsibility whatsoever for potential errors or possible lack of information in this document.

We reserve all rights in this document and in the subject matter and illustrations contained therein. Any reproduction, disclosure to third parties or utilization of its contents – in whole or in parts – is forbidden without prior written consent of ABB Inc.

© 2022 ABB Inc. All rights reserved.