

UniGear type ZS1

Air insulated metal-clad switchboards
for primary distribution

PowerIT

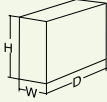


- Internal arc proof construction
- Circuit-breaker racking-in/out with closed door
- Construction with pregalvanized sheet without welding points
- Wall standing solution
- Cable compartment accessible from the front
- Double level solution
- Slim fused vacuum contactor units

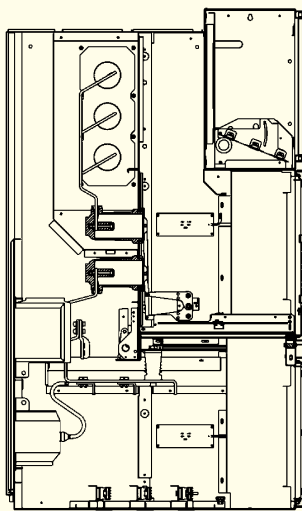
IndustrialIT
enabled

ABB

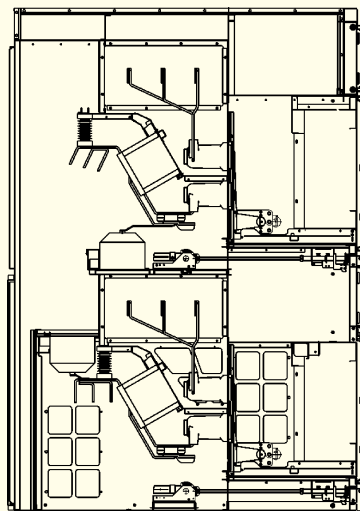
Technical data

| Switchboard | | UniGear 12 | UniGear 17 | UniGear 24 | |
|---|---|---------------|---------------|---------------|-----------|
| Type of construction | | Metal-clad | Metal-clad | Metal-clad | |
| Rated voltage | [kV] | 12 | 17,5 | 24 | |
| Insulation levels | [kV] | 12/28/75 | 17,5/38/95 | 24/50/125 | |
| Rated main busbar current (40 °C) | [A] | ... 4000 | ... 4000 | ... 2500 | |
| Rated branch connection current (40 °C) | [A] | ... 4000 | ... 4000 | ... 2500 | |
| Rated short-time current | [kA] | ... 50 | ... 40 | ... 25 | |
| Arc proof withstand current | [kA] | ... 50 | ... 40 | ... 25 | |
| Tested according to | | IEC Standards | IEC Standards | IEC Standards | |
| Overall dimensions of basic cubicle |  | H [mm] | 2200/2675 | 2200/2675 | 2325/2775 |
| | | W [mm] | 650/800/1000 | 650/800/1000 | 800/1000 |
| | | D [mm] | 1340/1390 | 1340/1390 | 1560 |
| Design includes: | | | | | |
| SF6 circuit-breakers | | • | • | • | |
| Vacuum circuit-breakers | | • | • | • | |
| Vacuum contactors | | • | - | - | |
| Integrated capacitor banks | | • | • | • | |
| Earthing switch | | • | • | • | |
| Bay computer | | • | • | • | |
| Measuring transformers | | • | • | • | |
| Measuring sensors | | • | • | • | |
| Technical catalogue | No. | 649424 | 649424 | 649424 | |

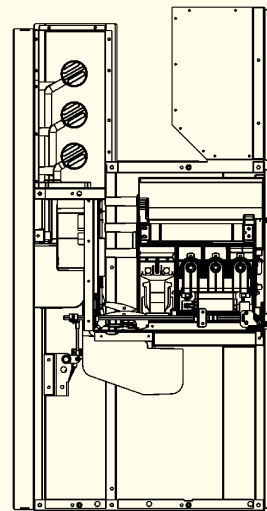
Basic cubicle



Single level unit



Double level unit



Slim fused vacuum contactor unit

ABB

ABB Trasmissione & Distribuzione S.p.A.
Unità Operativa Sace T.M.S.

Via Friuli, 4
I-24044 Dalmine
Tel: +39 035 395111
Fax: +39 035 395874
E-mail: sacetms.tipm@it.abb.com
Internet://www.abb.com

ABB s.r.o.
Org. unit EJJF

Videňská 117, 619 00 Brno
Czech Republic
Tel: +420 5 4715 2413, 1111
Fax: +420 5 4715 2190
E-mail: info.ejf@cz.abb.com
Internet://www.abb.com