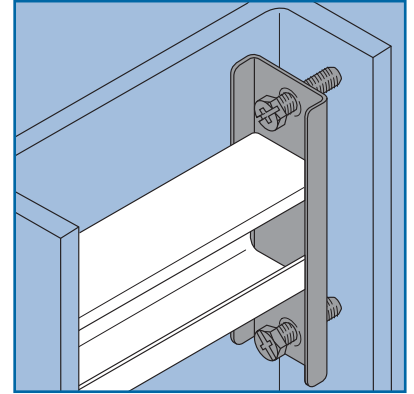
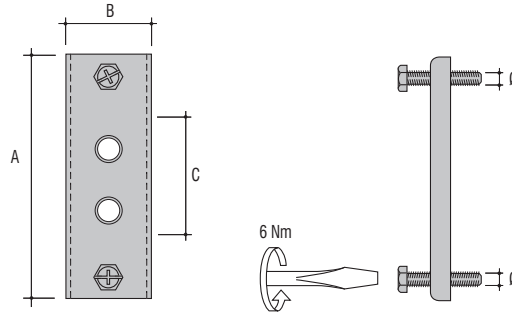


Fixing bracket

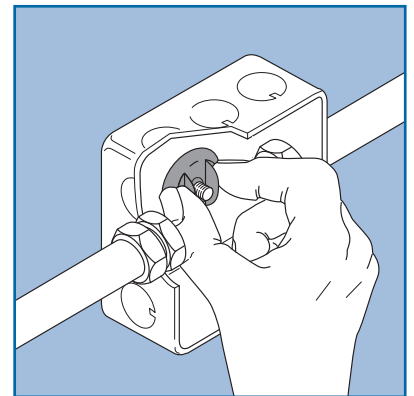
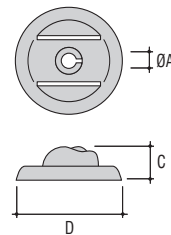
Part No.	Ø (mm)	A (mm)	B (mm)	C (mm)	Load rating (kg)	Material finishes*	Quantity (pairs)
CMP-400	M8 x 25	90	45	35	45	F2	20

Each box contains 40 brackets and 80 screws



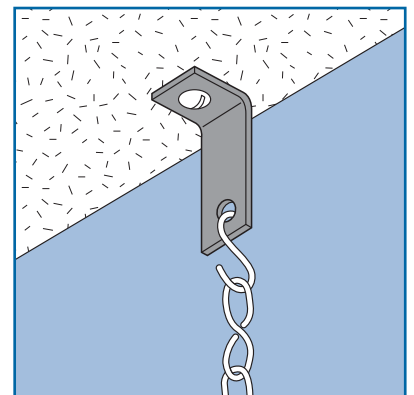
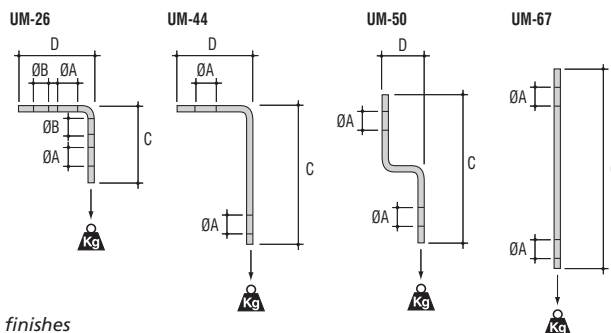
Speed nut

Part No.	ØA (mm)	C (mm)	D (mm)	Material finishes*	Quantity (pieces)
XM-6	M6	10.0	32	F8+	100

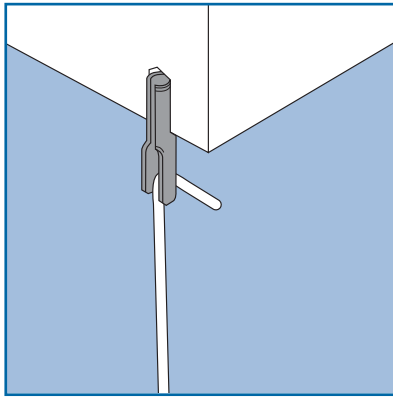


Brackets

Part No.	ØA (mm)	ØB (mm)	C (mm)	D (mm)	Load rating (kg)	Material finishes*	Quantity (pieces)
UM-26	6.5	4.6	26	26	90	F2	100
UM-44	6.5	-	44	26	90	F8+	100
UM-50	6.5	4.6	50	26	70	F2	100
UM-67	6.5	-	67	-	90	F8+	100

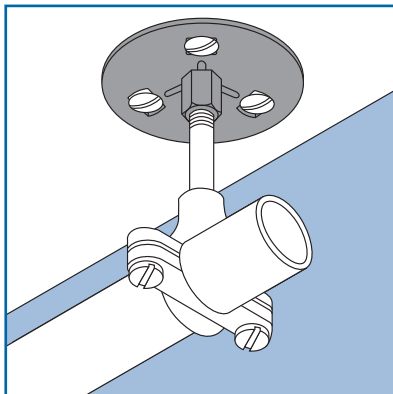
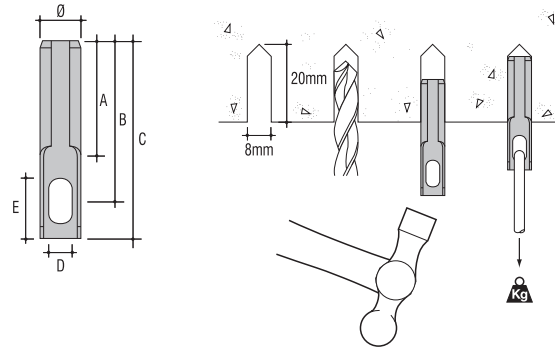


* See page 50 for material finishes



Fixing for chain and wire

Part No.	Ø (mm)	A (mm)	B (mm)	C (mm)	D (mm)	E (mm)	Load rating (kg)	Material finishes*	Quantity (pieces)
A100	8.75	25	34	42	5	10	40	F1	100



Fastening plate

Part No.	A (mm)	B (mm)	C (mm)	Material finishes*	Quantity (pieces)
PRP-810	M8	M10	76	F1	25

