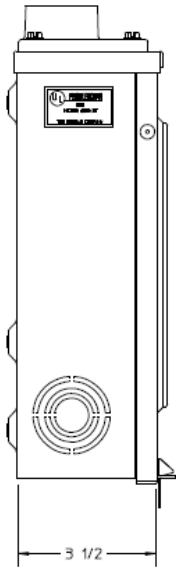
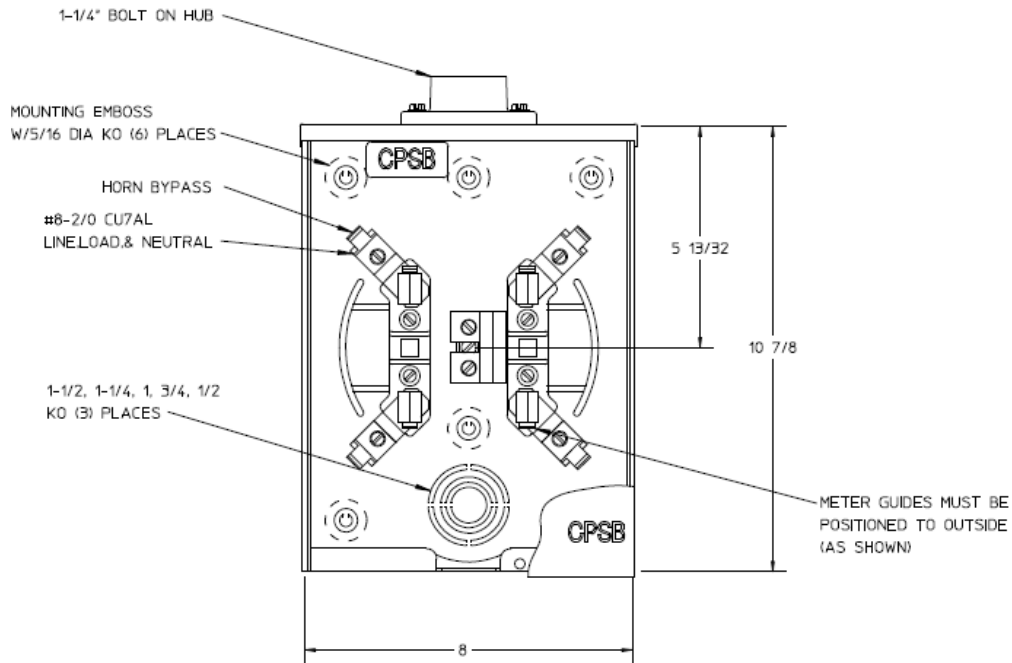


### Left Side View



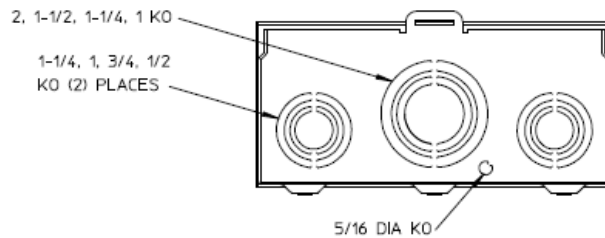

### Front View Interior



### Notes

- 1) FINISH: GRAY
- 2) CABINET: 16GA GALV. STEEL
- 3) 125AMP CONTINUOUS,  
600 VAC, 1 PHASE, 3-WIRE
- 4) ATTACH CPSB LABEL TO THE  
BACK OF UNIT AS SHOWN.
- 5) CPSB LOGO STAMPED ON LOWER  
RIGHT HAND CORNER OF FRONT.

### Bottom View

METER SKT-(1) 125A 600V 1P3W 16GA GALV STL N3R 4-TRM HRN BYP 1.25\" BOLT-ON HUB T/B FEED CPSB

CAT NO	DWG DATE	REV #
1004931BMEP	03/15/2019	01