

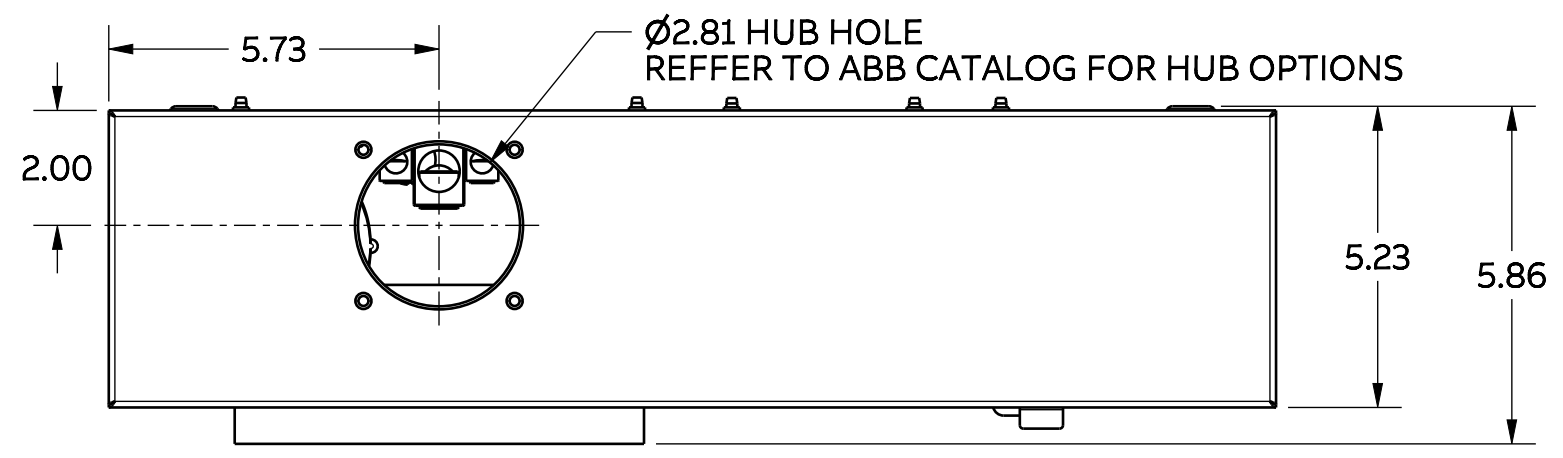
14

13

12

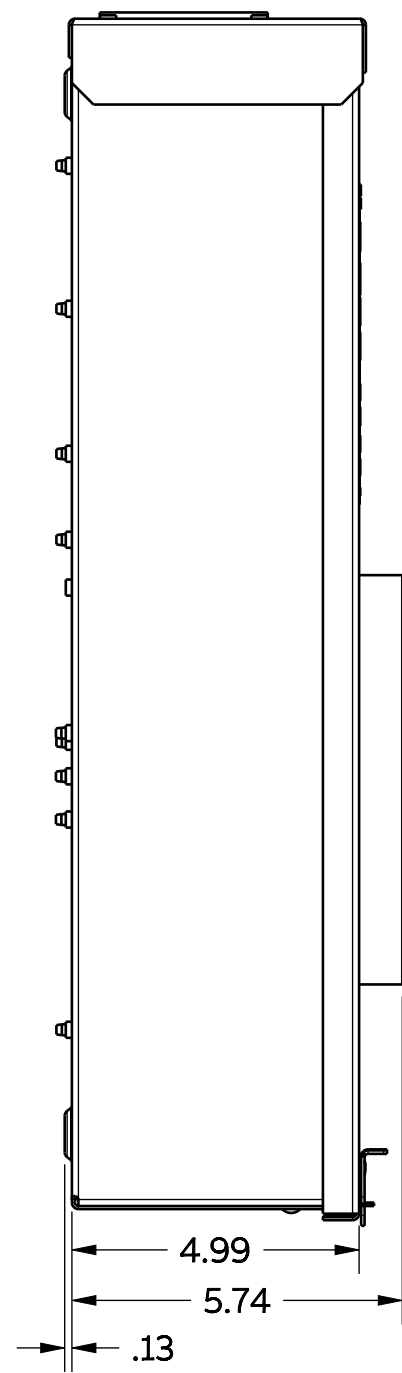
11

KNOCKOUT TABLE		
ITEM	DESCRIPTION	QTY
A	1/2" KO	3
B	1/2" X 3/4" X 1" KO	2
C	1/2" X 3/4" X 1" X 1-1/4" X 1-1/2" X 2" X 2-1/2" KO	4
D	1-1/4" X 1-1/2" X 2" X 2-1/2" X 3" KO	1

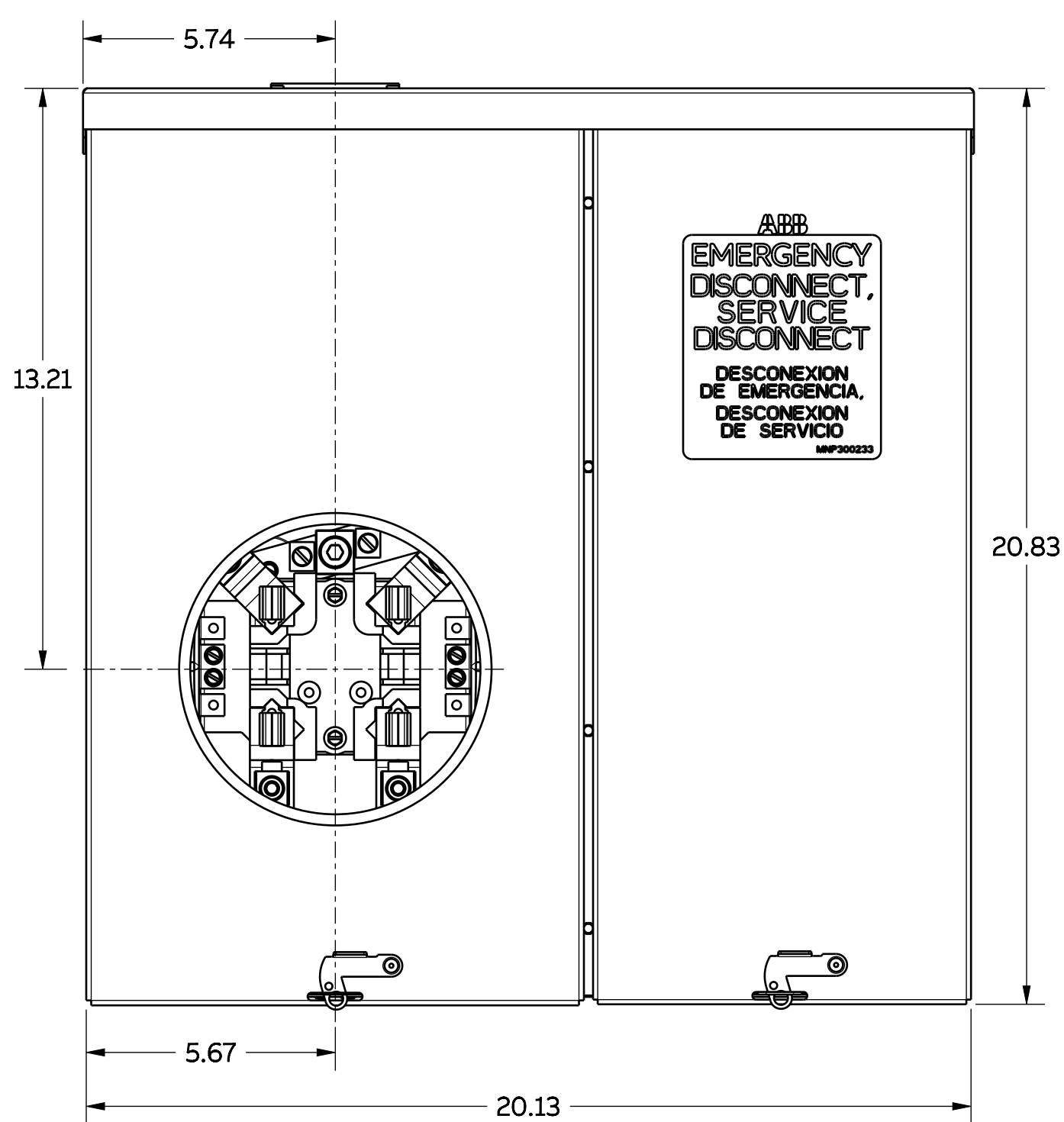


TOP VIEW

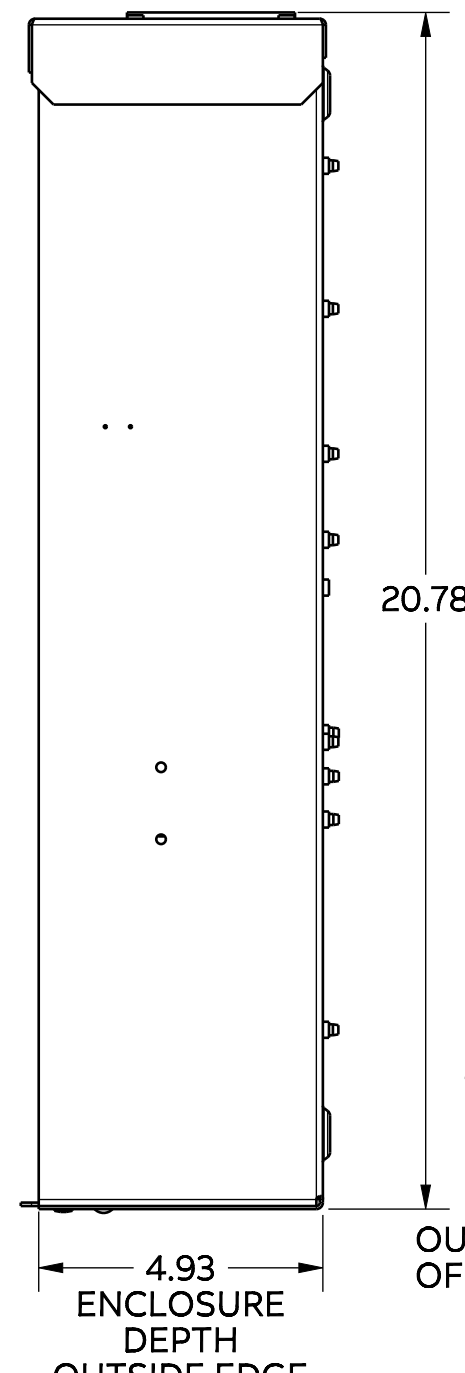
Ø.875 DIMLE UP
Ø.25 HOLE
FOR MOUNTING PURPOSES
4 PLCS.



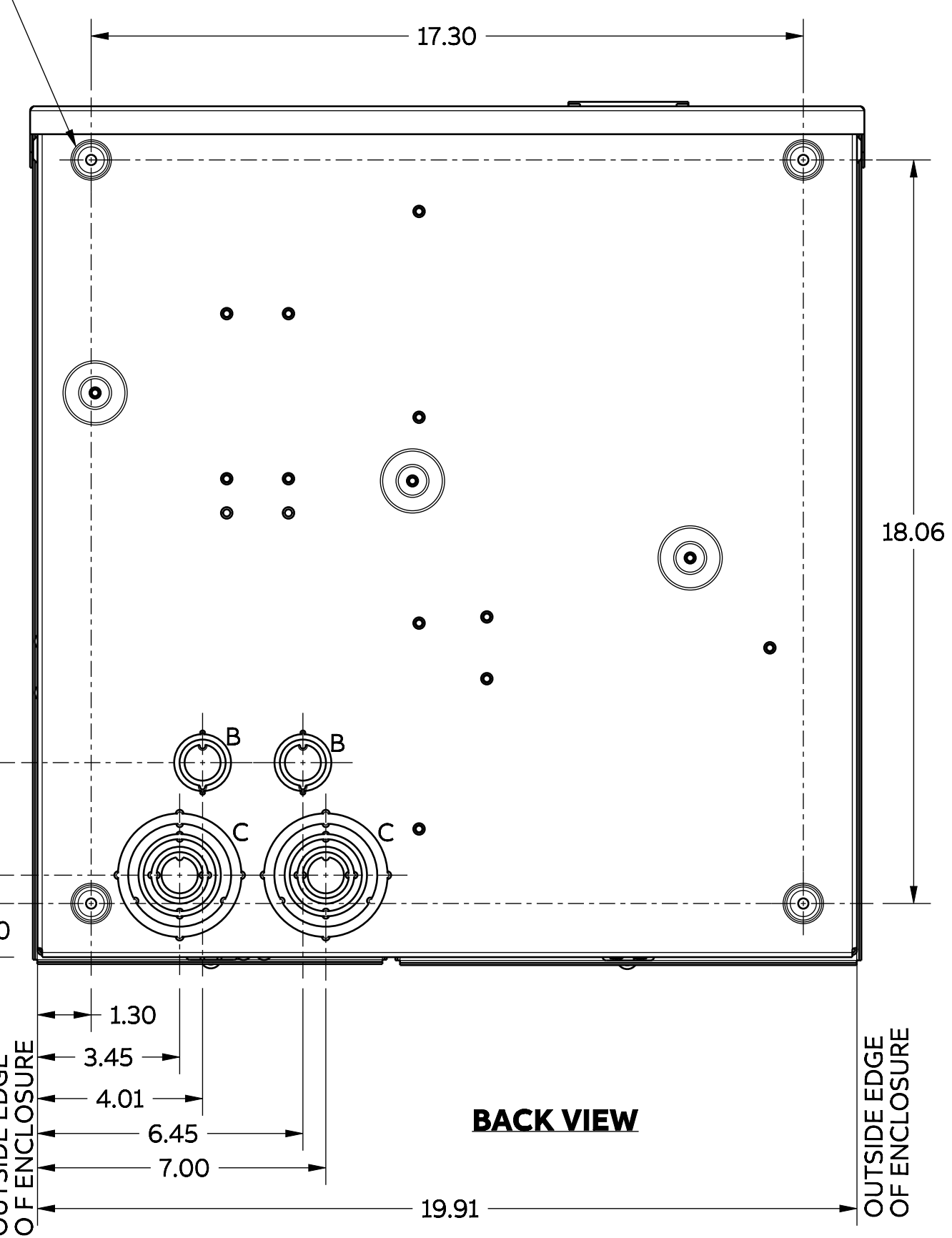
LEFT VIEW



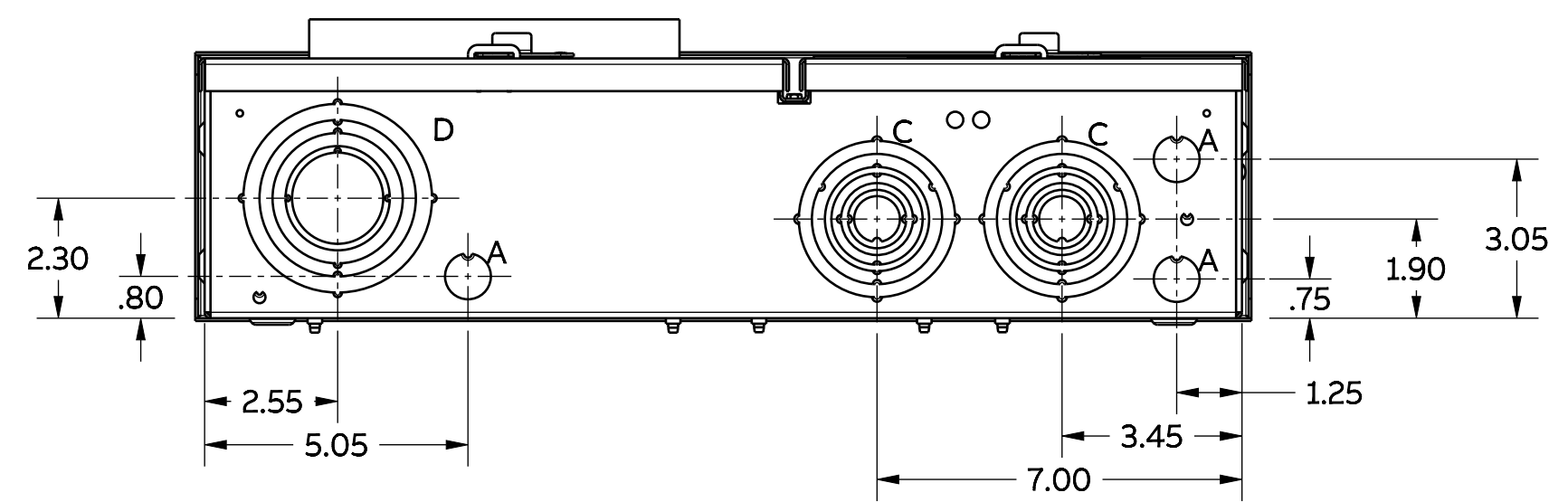
FRONT VIEW



RIGHT VIEW



BACK VIEW



BOTTOM VIEW
(DIMENSIONS TO THE OUTSIDE EDGES OF THE ENCLOSURE)

ABB

**METER MAIN 100A MEG w/SPD
OUTLINE DRAWING**

THIRD ANGLE	SHEET#	DWG NO.	DATE	REV
	1 of 2	PM10RLNCSSM01_OD	2026	A

14

13

12

11

24

23



22

21

D

C

B

A

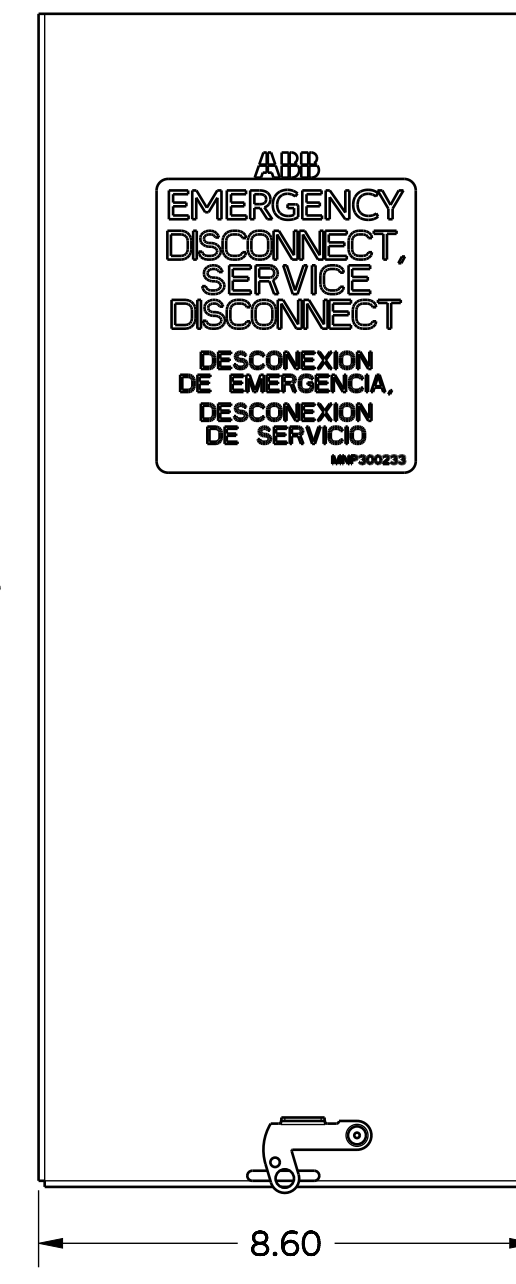
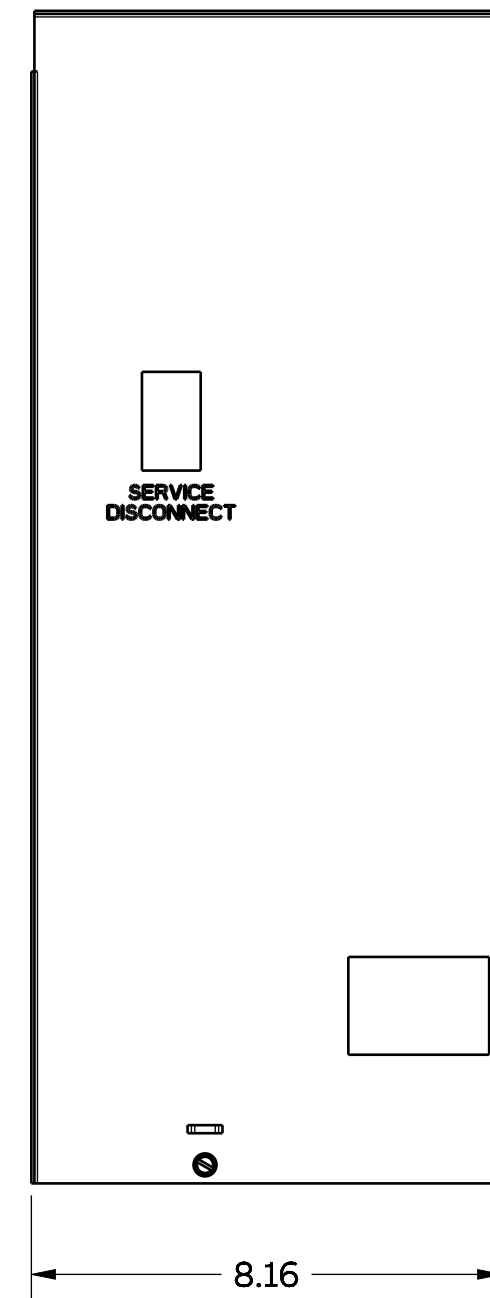
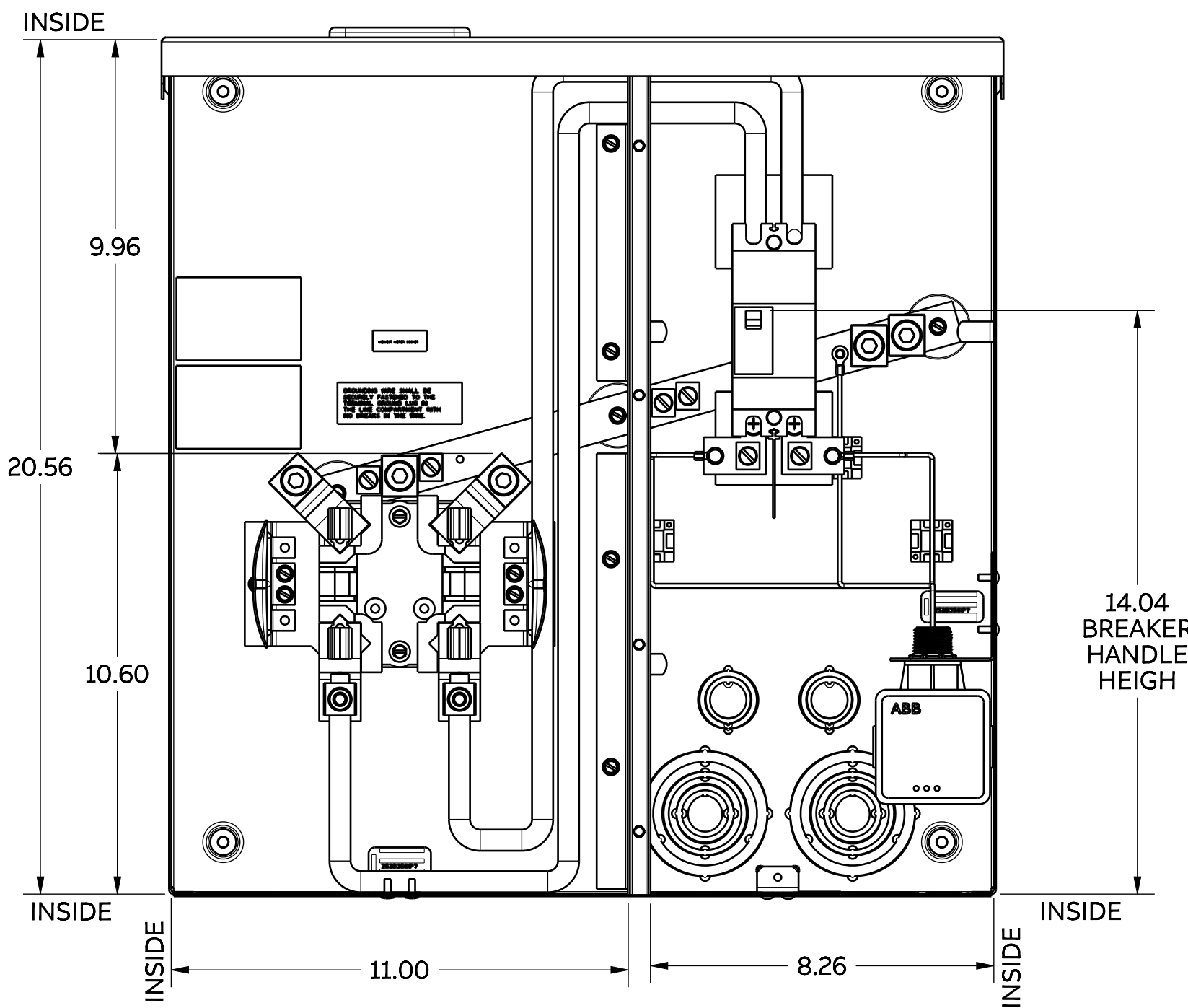
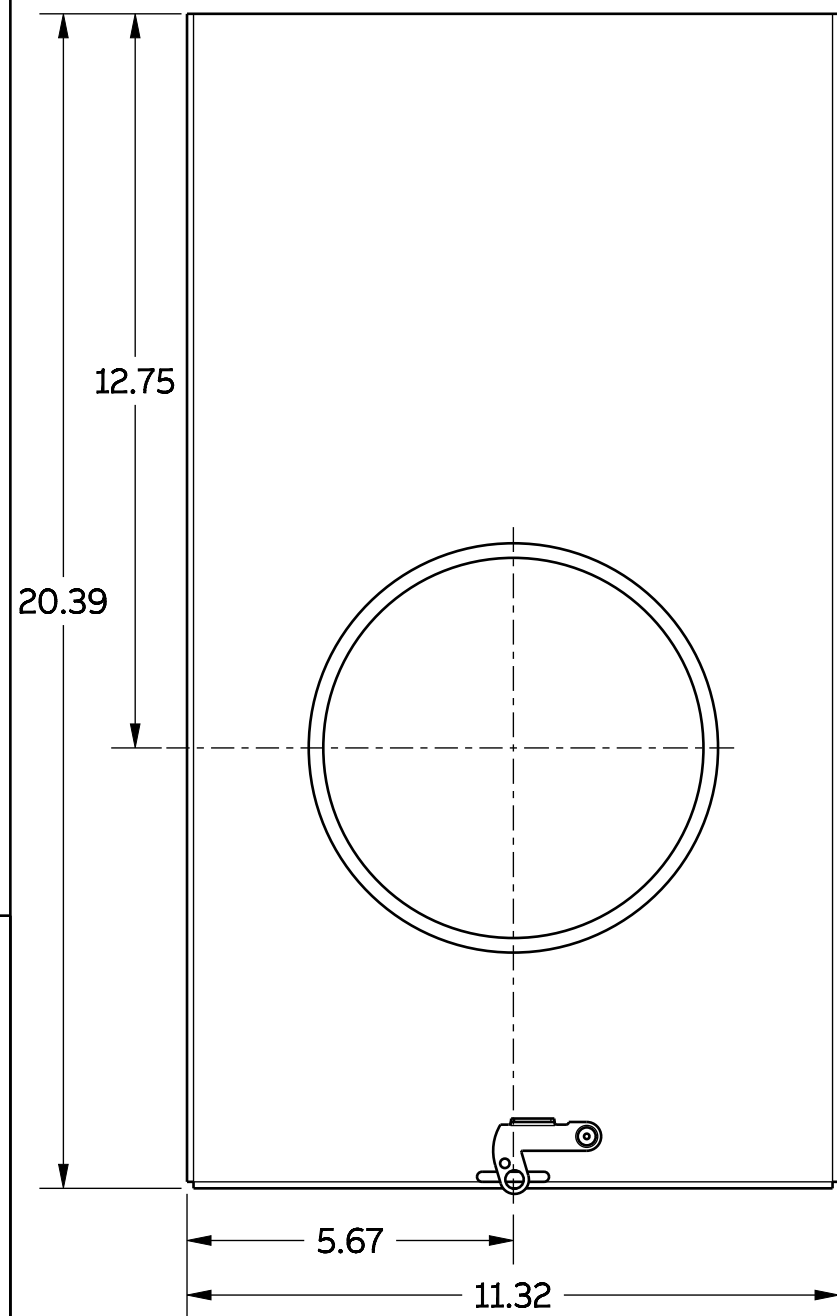


ABB PROPRIETARY AND CONFIDENTIAL INFORMATION
 The information contained in this document has to be kept strictly confidential. Any unauthorized disclosure of this information may constitute a violation of the law. ABB reserves all rights regarding Intellectual Property Rights. Copyright 2021 ABB. All rights reserved.

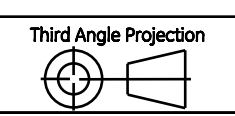


ABB		
SIZE C	NUMBER PM10RLNCSS	REV A
SCALE 0.300	PRODUCT LINE METER COMBO	SHEET 2 of 2