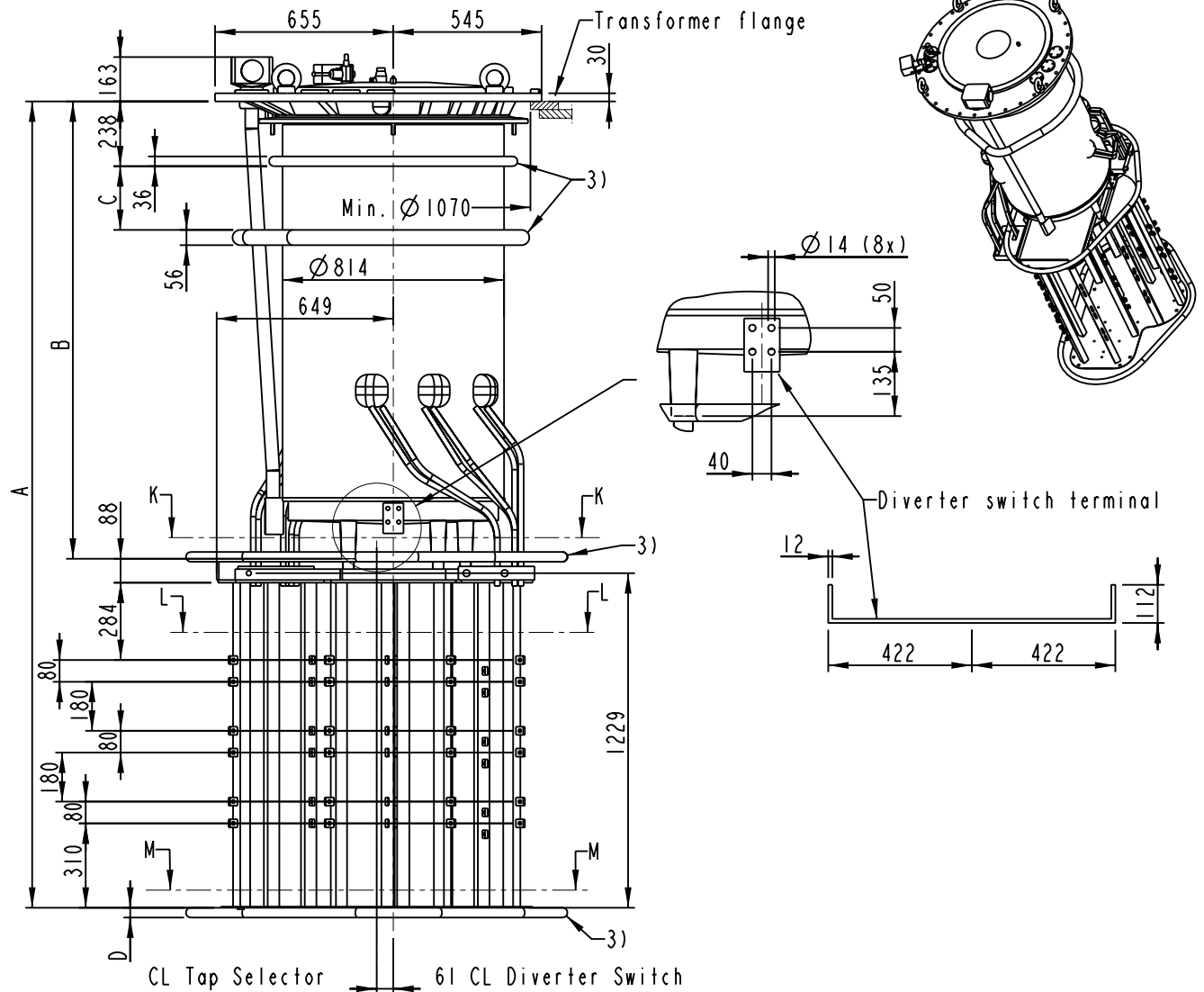


We reserve all rights in this document and in the information contained therein. Reproduction, use or disclosure to third parties without express authority is strictly forbidden. ©ABB



3) Shielding rings for insulating levels 650kV and 1050kV only

INSULATION LEVEL kV	380	650	1050
A	2822	2962	3162
B	1540	1680	1880
C	-	240	440
D	-	36	50
E	-	953	967
F	-	1382	1396

Inspection engineering review

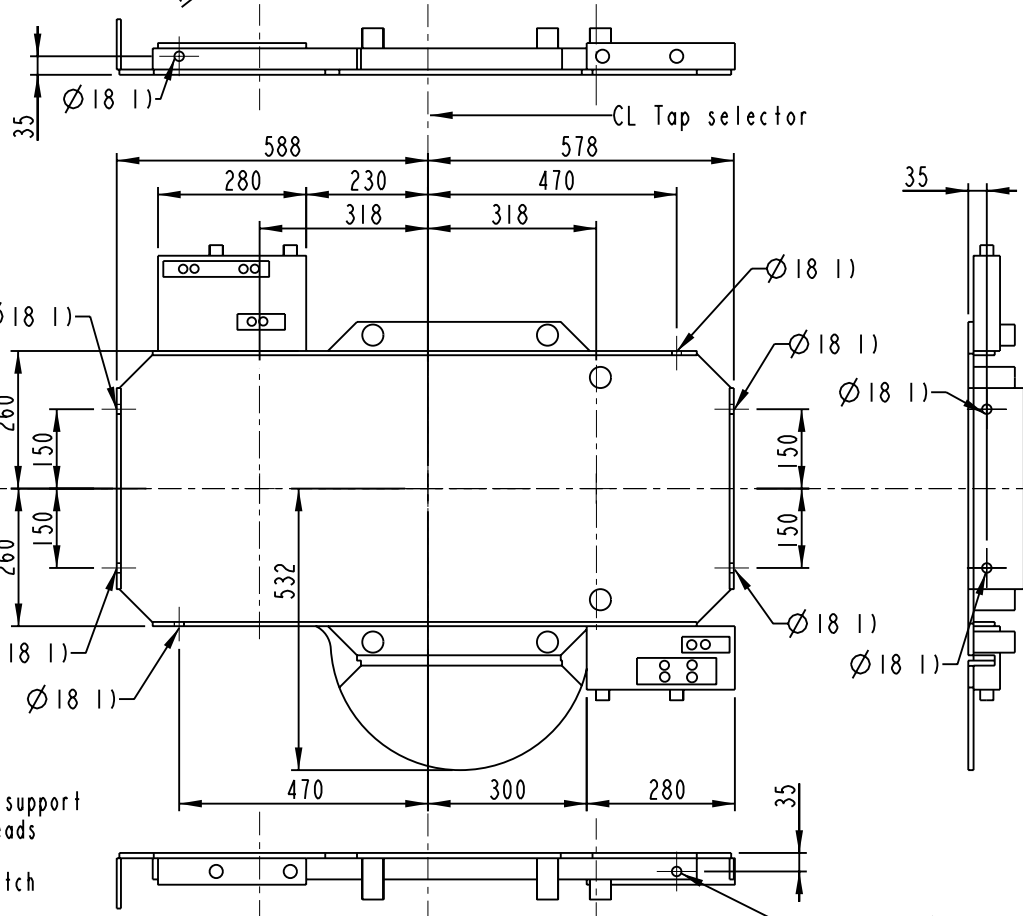
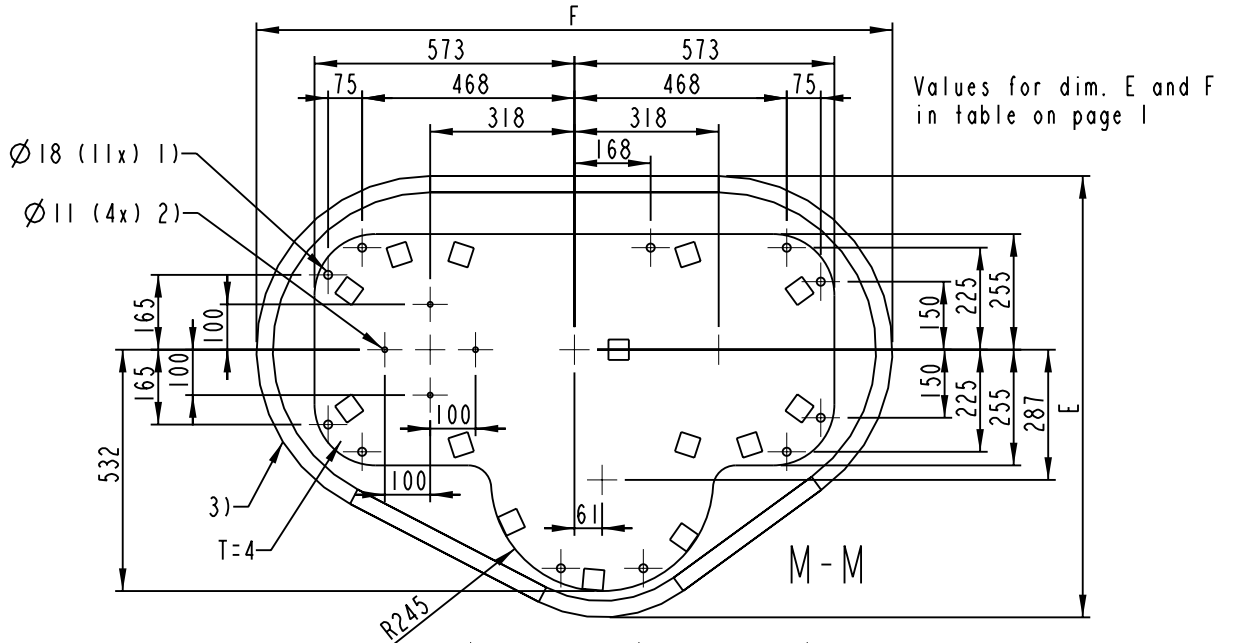
Production engineering review

Design engineering review

Based on	Reg. No.	Title TAP-CHANGER UCC UCCRN XXXX/800, 1200 UCCRE XXXX/3600		
Prepared T Sapila 96-11-08	Responsible department COM/TK			Language en
Approved M Eriksson	Take over department			Page 1(4)
Revision	Database DIMENSION_DWGS			Document No. 54920092-5
ABB ABB Components				

Holes for mounting of support ribs for cleats and leads (Shown in section K-K and M-M)

Holes for switch for tie-in resistor (Shown in section M-M)



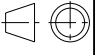
- 1) Holes for mounting of support ribs for cleats and leads
- 2) Mounting holes for switch for tie-in resistor
- 3) Shielding rings for insulating levels 650kV and 1050kV only

We reserve all rights in this document and in the information contained therein. Reproduction, use or disclosure to third parties without express authority is strictly forbidden. ©ABB

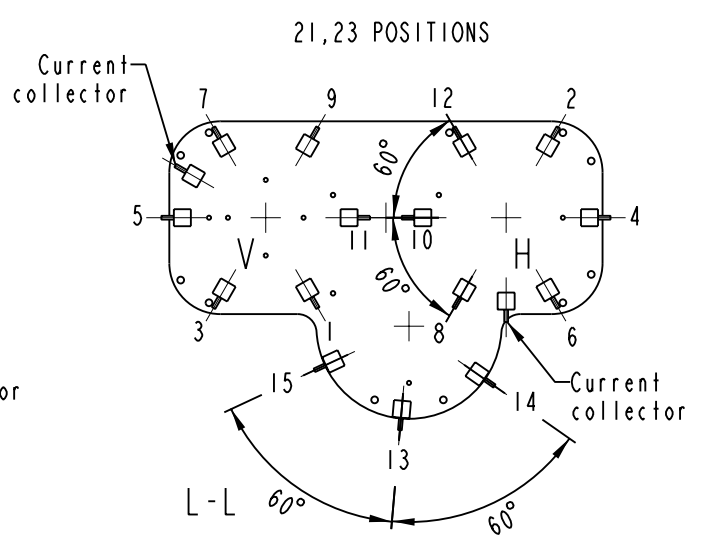
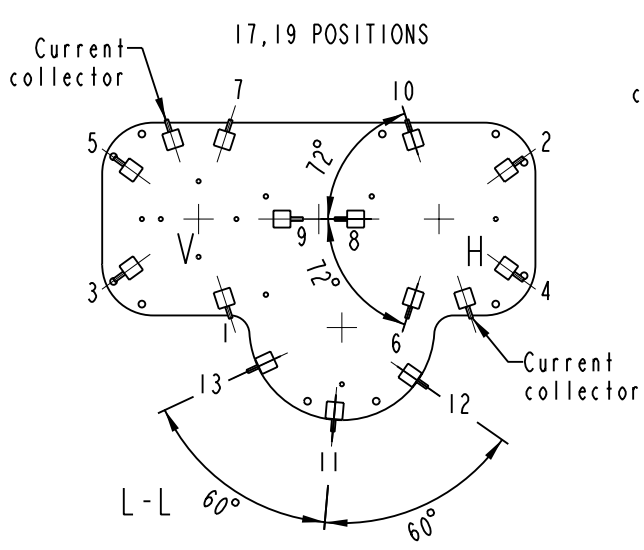
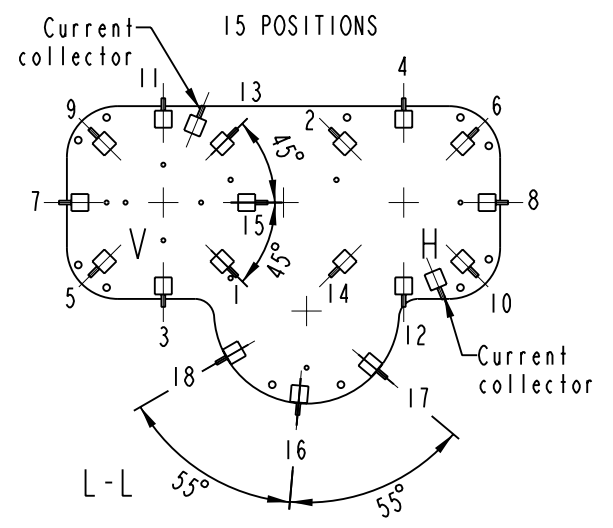
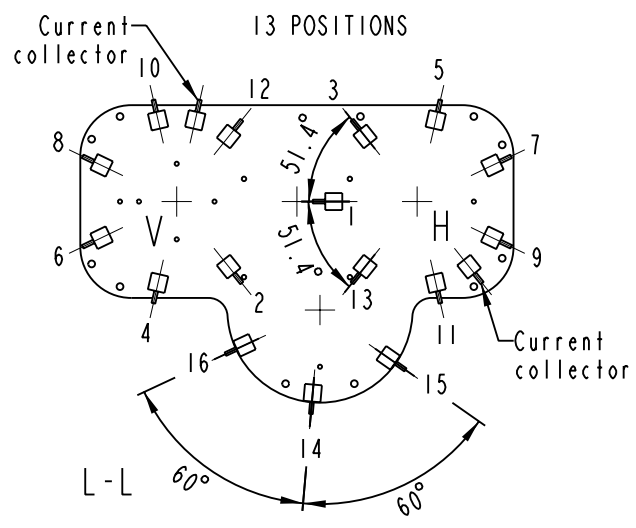
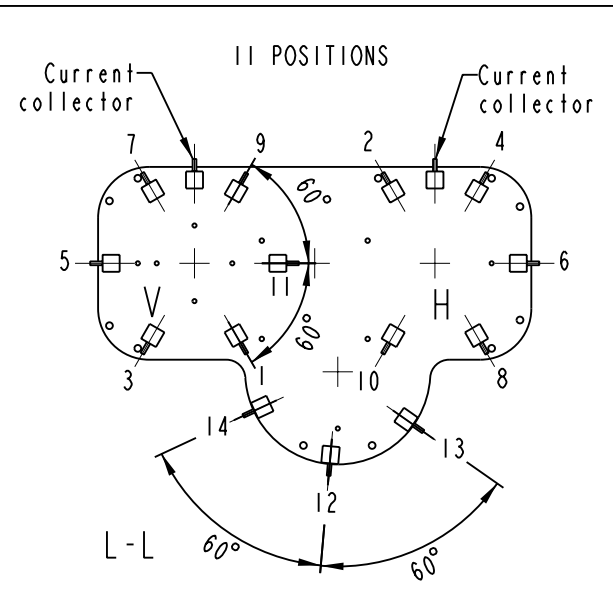
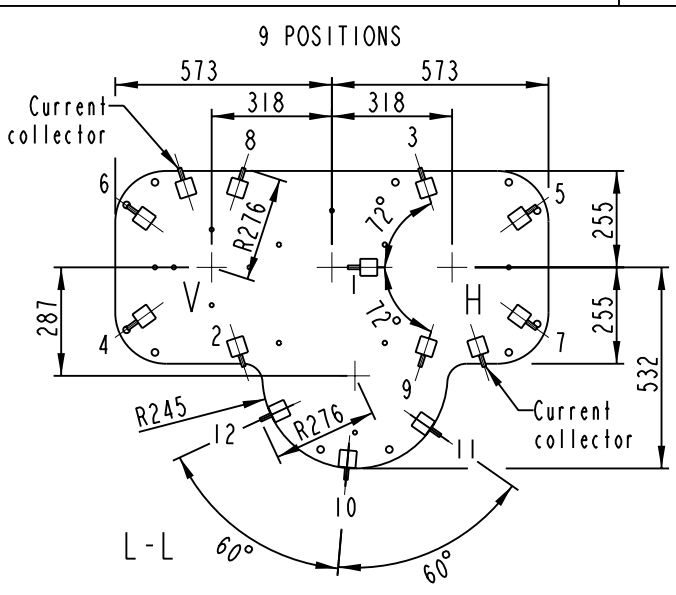
Production engineering review

Inspection engineering review

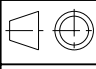

Design engineering review

Based on	Reg. No.	Title	 Language en Page 2(4)
Prepared T Sapila 96-11-08	Responsible department COM/TK	TAP-CHANGER UCC	
Approved M Eriksson	Take over department	UCCRN XXXX/800,1200	
Revision	Database DIMENSION_DWGS	UCCRE XXXX/3600	
ABB ABB Components		Document No.	54920092-5

We reserve all rights in this document and in the information contained therein. Reproduction, use or disclosure to third parties without express authority is strictly forbidden. ©ABB

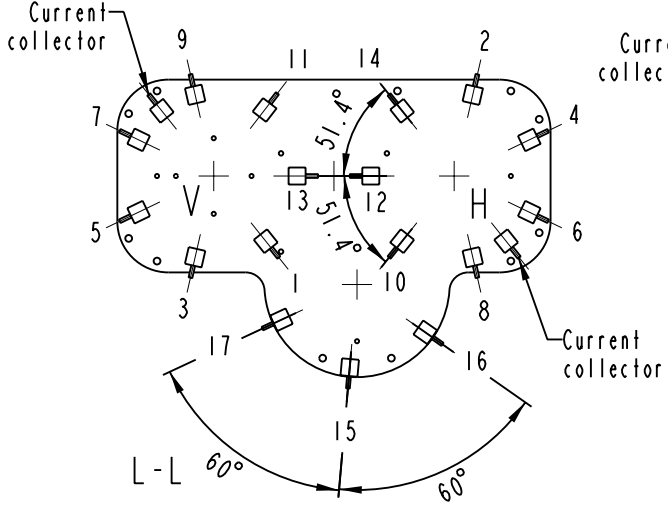


Inspection engineering review
 Design engineering review
 Production engineering review

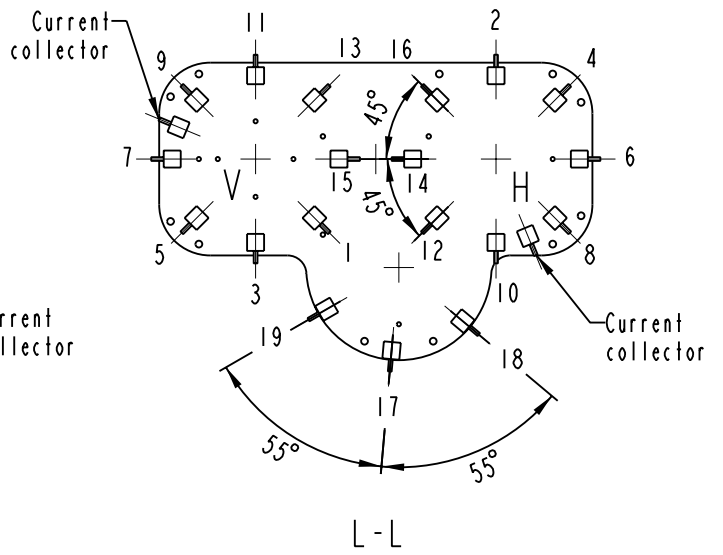
Based on	Reg. No.	Title	
Prepared T Sapila 96-11-08	Responsible department COM/TK		
Approved M Eriksson	Take over department	UCCRE XXXX/3600	Language en
Revision	Database DIMENSION_DWGS	Document No.	Page 3(4)
 ABB Components		54920092-5	

We reserve all rights in this document and in the information contained therein. Reproduction, use or disclosure to third parties without express authority is strictly forbidden. ©ABB

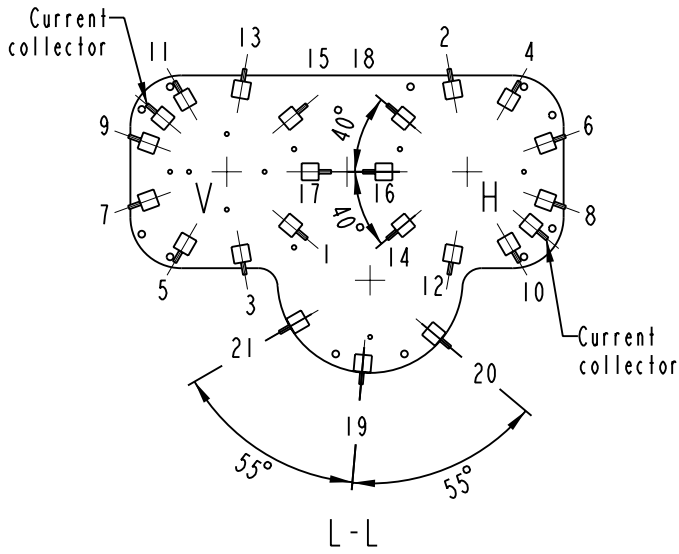
25,27 POSITIONS



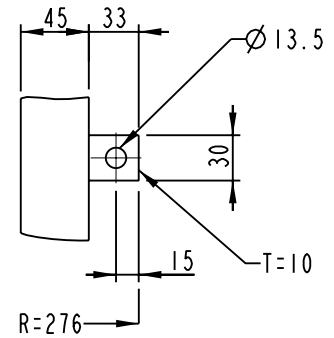
29,31 POSITIONS



33,35 POSITIONS



TAP SELECTOR CONTACT



ADDITIONAL DRAWINGS:

Connection Diagrams: See Technical Guide UC
 Mounting on active part: 54920087-1
 Top Section, Accessories: 54920087-2
 Motor Drive BUE: 54830001-2 or -3
 External Drive Shaft: 54920083-4
 Pressure Relay: 54920083-2
 Bevel Gear: 54920083-1

Inspection engineering review
 Design engineering review
 Production engineering review

Based on	Reg. No.	Title	Language
Prepared T Sapila 96-11-08	Responsible department COM/TK		
Approved M Eriksson	Take over department	UCCRN XXXX/800,1200	Page
Revision	Database DIMENSION_DWGS	UCCRE XXXX/3600	4(4)
		Document No.	54920092-5