
 TECHNICAL DATA SHEET

PMAFIX Pro - JKBH-M - Fitting

90° curved elbow, IP69, metric thread

PMA



Blue polyamide fitting made of FDA compliant material with an easy push-in assembly for guaranteed correct installation.

Certifications / Standards:



Applications:

- For applications with high technical requirements in the food & beverage industry

Features & Benefits:

- Very high impact resistance
- Easy push-in assembly for guaranteed correct installation.
- Screwdriver required for dismantling, preventing unauthorised or accidental opening
- Space-saving construction - no additional room required for dismantling
- Excellent conduit pull-out strength
- Corrosion-free
- Fits both conduit profiles - fine (T) and coarse (G)

Ingress protection:

- IP69, IP68, IP66 even when the conduit is continually in motion

Materials:

- Specially formulated, halogenfree polyamide 6
- Locking and sealing element made from specially formulated, halogen free polyamide 6 and cross- linked polyester elastomer

Compatible with:

- PMA JFBD conduits

Conforms to:

- FDA 21 CFR / EU 10/2011 compliant polyamide 6 material
- Ecolab certificate
- NSF14159-1; NSF169 (application areas - splash zone)
- UL Recognition according to UL1696 (file E80294)

Colour:

- Blue

Chemical properties:

- Please refer to www.pma.ch (Technical Information / Chemical Resistance)

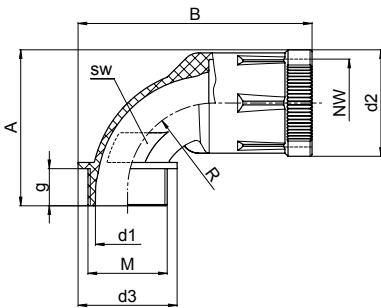
Environmental properties:

- Free from halogens and cadmium
- RoHS and REACH compliant

Product selection:

Part no.	Thread size	Conduit size	Dimensions in mm (nom.)								Weight	Packing unit
			g	d1	d2	d3	SW	A	B	R		
blue	metric	NW	g	d1	d2	d3	SW	A	B	R	kg/100 pcs	pcs/PU
JKBH-M162	M16x1.5	12	11	8.0	28.5	24.0	15.0	44.5	72.0	28.0	1.5	10
JKBH-M202	M20x1.5	12	11	11.8	28.5	28.0	15.0	44.5	74.0	28.0	1.3	10
JKBH-M207	M20x1.5	17	11	11.5	35.0	29.0	20.0	50.0	81.0	29.5	2.5	10
JKBH-M257	M25x1.5	17	12	16.5	35.0	35.0	20.0	51.0	84.0	29.5	2.2	10
JKBH-M253	M25x1.5	23	12	16.0	43.0	35.0	26.0	59.5	92.0	35.0	3.9	10
JKBH-M323	M32x1.5	23	15	22.5	43.0	40.0	26.0	63.0	94.5	35.0	3.2	10
JKBH-M329	M32x1.5	29	15	23.0	51.5	43.0	33.0	73.0	108.0	41.5	6.8	10
JKBH-M409	M40x1.5	29	19	28.5	51.5	51.0	33.0	77.0	112.0	41.5	6.0	10
JKBH-M406	M40x1.5	36	19	29.5	60.5	55.0	41.0	87.5	126.0	49.0	11.0	10
JKBH-M506	M50x1.5	36	19	37.0	60.5	59.0	41.0	87.5	128.0	49.0	9.0	10
JKBH-M508	M50x1.5	48	19	38.5	73.0	69.0	46.0	100.5	145.5	55.5	18.0	10
JKBH-M638	M63x1.5	48	19	48.0	73.0	75.0	55.0	100.5	148.5	55.5	14.0	10

Our customer service dept. or local distribution partner will be pleased to help you concerning product availability and lead time



Mechanical Properties:	Value:	Test parameters:	Test method:
Tensile modulus	1'200 ... 3'700 N/mm ²		ISO 527
Tensile strength	45 ... 65 N/mm ²		ISO 527
Notched bar impact test	4 ... 20 kJ/m ²		ISO 180/1C

Thermal properties:	Value:	Test parameters:	Test method:
Temperature range	-50 ... +105°C		PMA DO 9.21-4510
Short-term	+120°C		

Content of delivery:

- Fitting
- Thread gasket (SVN4)
- Locking and sealing element (KNH2)

Assembly instructions:

- Please consider the appropriate assembly instructions on www.pma.ch

ABB Switzerland Ltd,
PMA Cable Protection
Aathalstrasse 90
8610 Uster, Switzerland
Phone: +41 58 585 00 11
pma-info@ch.abb.com
www.pma.ch

Let's write the future.
Together. **abb.com**

We reserve the right to make technical changes or modify the contents of this document without prior notice. With regard to purchase orders, the agreed particulars shall prevail. ABB Installation Products Inc. does not accept any responsibility whatsoever for potential errors or possible lack of information in this document.

We reserve all rights in this document and in the subject matter and illustrations contained therein. Any reproduction, disclosure to third parties or utilization of its contents – in whole or in parts – is forbidden without prior written consent of ABB Inc. Copyright© 2019 ABB Installation Products Inc. All rights reserved

