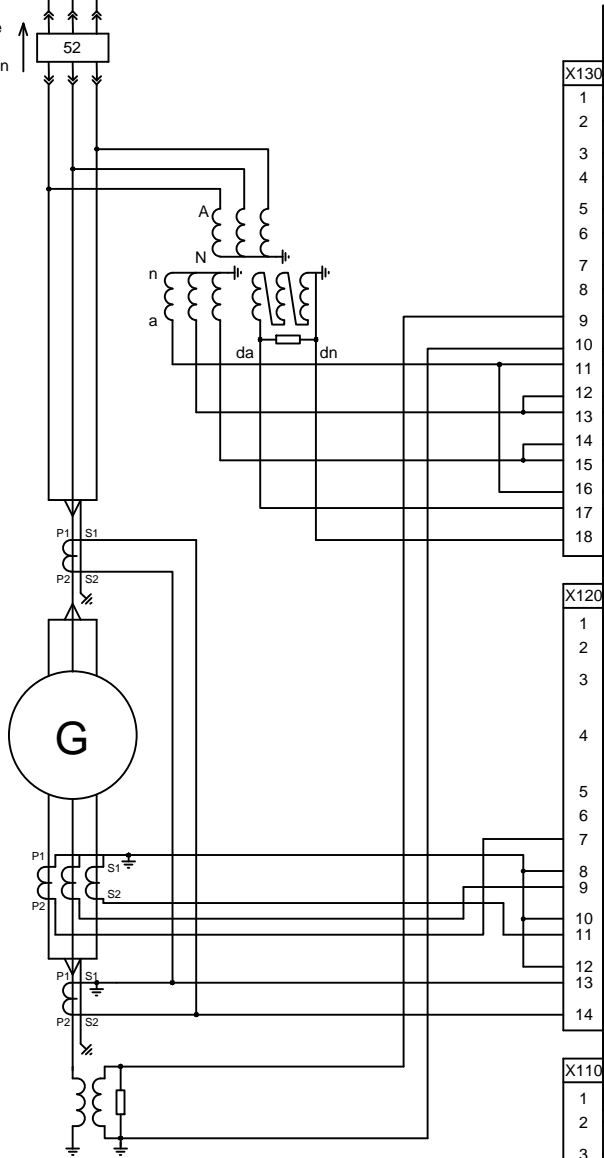
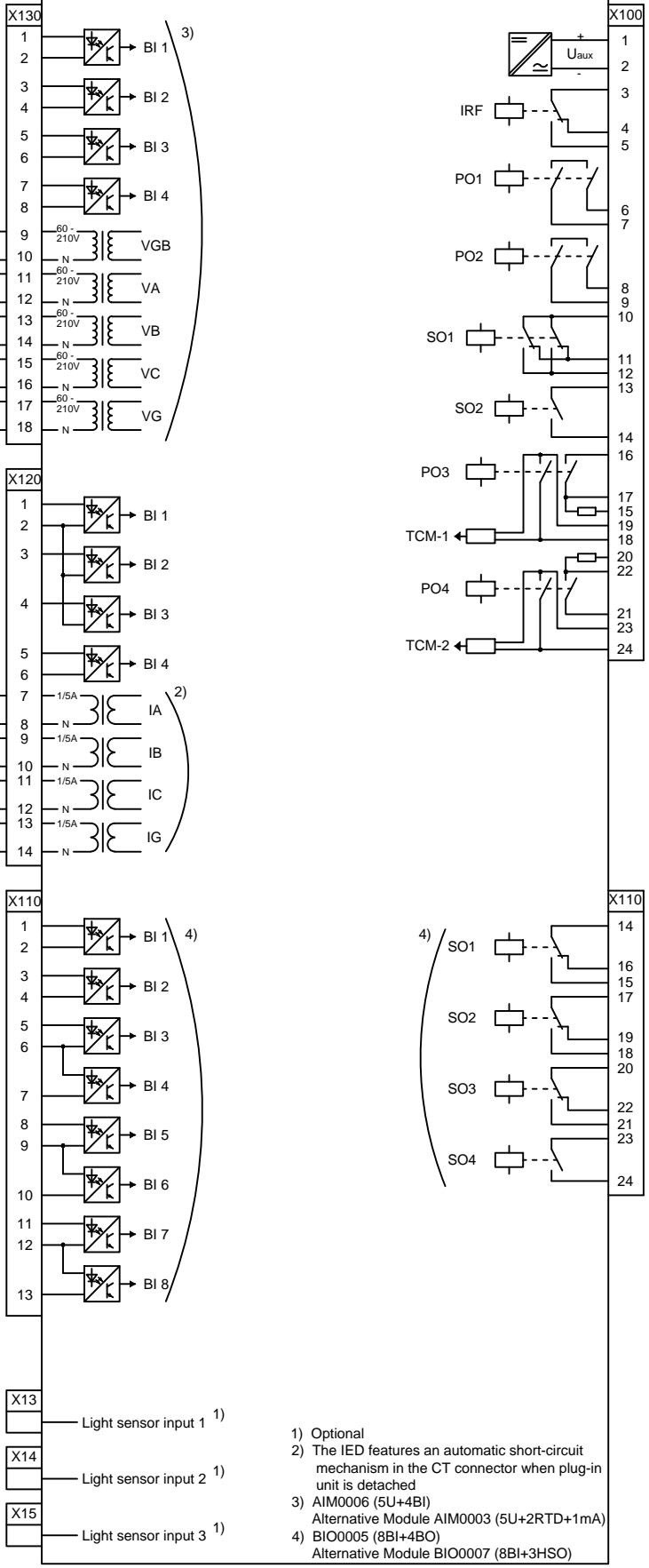


A  
B  
C

Positive  
Current  
Direction



# REG615



- X13 — Light sensor input 1 <sup>1)</sup>
- X14 — Light sensor input 2 <sup>1)</sup>
- X15 — Light sensor input 3 <sup>1)</sup>

- 1) Optional
- 2) The IED features an automatic short-circuit mechanism in the CT connector when plug-in unit is detached
- 3) AIM0006 (5U+4BI)  
Alternative Module AIM0003 (5U+2RTD+1mA)
- 4) BIO0005 (8BI+4BO)  
Alternative Module BIO0007 (8BI+3HSO)