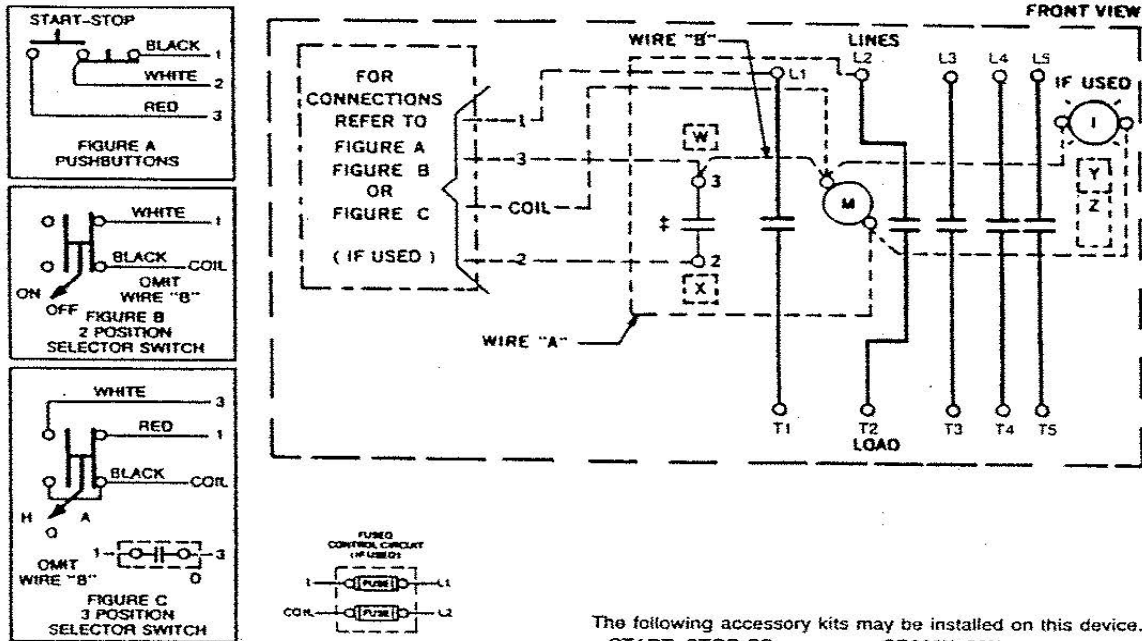


GEJ-7194 Information Label

CR360L Lighting Contactor

30 Ampere



M-LINE CONTACTOR

I-INDICATING LIGHT

D-MAINTAINING CONTACT PILOT DEVICE

Use 75°C, copper conductors only, for field wiring. Torque line and load terminals to 20 lb-in.

FOR SEPARATE CONTROL-Omit wire "A" and connect control source to coil and to 1 on control device.

NOTE: Refer to the National Electrical Code. Additional control circuit overcurrent protection may be required.

3-PHASE RATINGS APPLY TO 2-PHASE FORMS.

COIL (Order 15D21G plus coil suffix number per table below)

60 Hz	115-120V	200-208V	230-240V	—	460-480V	575-600V
50 Hz	110V	—	220V	380V	440V	550V
Coil Suffix	002	023	003	064	004	005

The following accessory kits may be installed on this device.

START-STOP PB	CR305X120N
OFF-ON PB	CR305X120P
OFF-ON Sel Sw	CR305X130P
H-O-A Sel Sw	CR305X130N
IND LIGHT	CR305X150N
AUX CONTACT	CR305X100A, B, C, D, E
CONTROL CIRCUIT FUSE	CR305X141A, B, C, D
For CSA-GND KIT	
1/2-IN CONDUIT	55-213403G001
3/4-IN CONDUIT	55-213403G002

EXTRA AUXILIARY CONTACTS

Final Suffix Letter Of CR Number	Contact Location. See Diagram			
	W	X	↑Y	↑Z
A (Or None)				
B				
C		≠		
D		≠		
E				
F	≠	≠		
G		≠		
H	≠	≠		
J				
‡Z	No Holding Interlock			

† Not available when Control Circuit Fuse Kit is used.

PRINCIPAL RENEWAL PARTS

4 Movable & 8 Sta Cont. 546A301G002

These instructions do not cover all details or variations in equipment nor do they provide for every possible contingency that may be met in connection with installation, operation, or maintenance. Should further information be desired or should particular problems arise that are not covered sufficiently for the purchaser's purposes, the matter should be referred to your local ABB Sales Office.