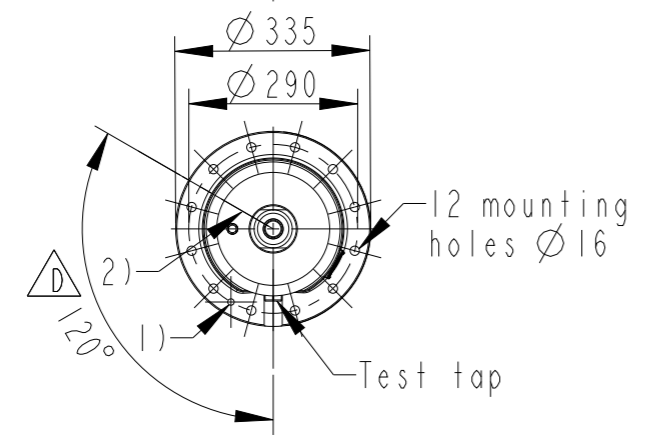
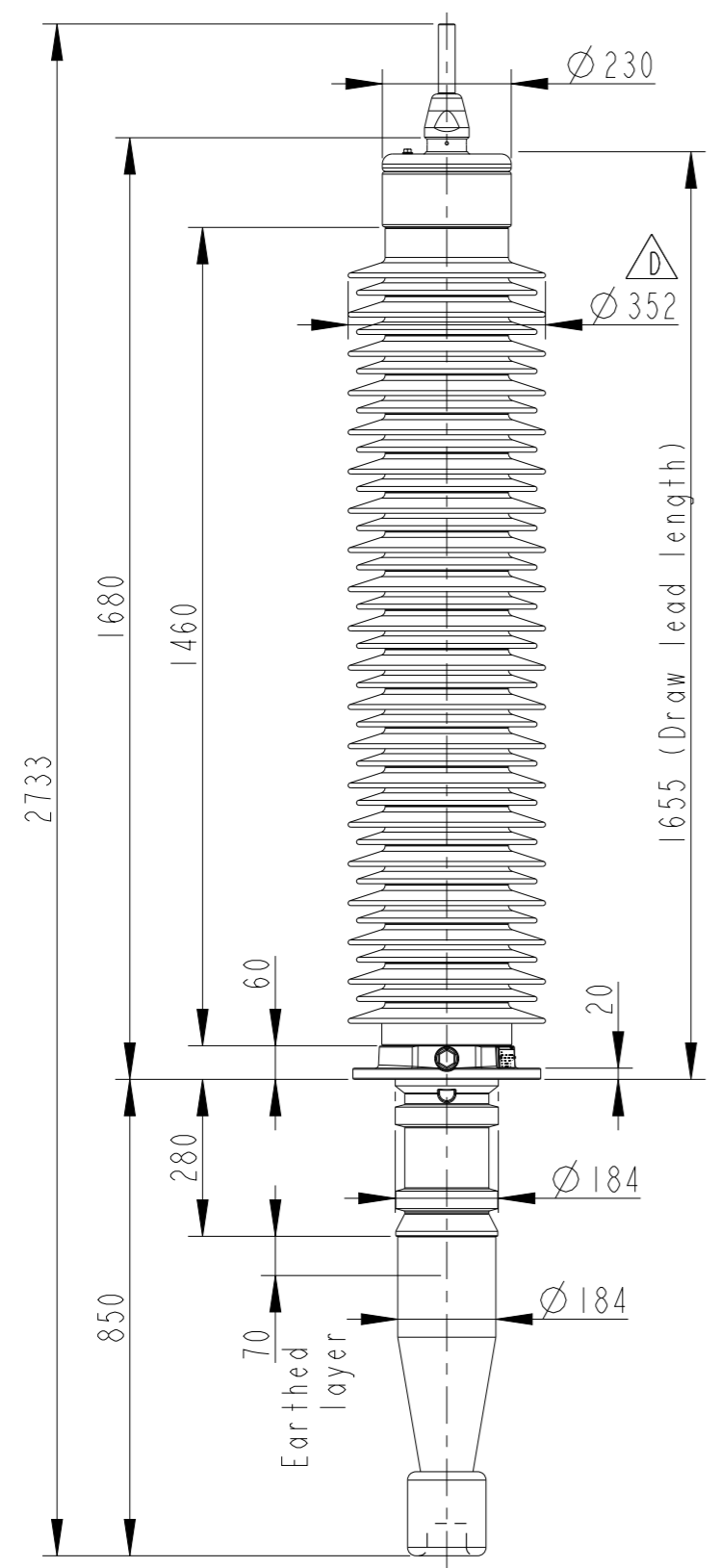
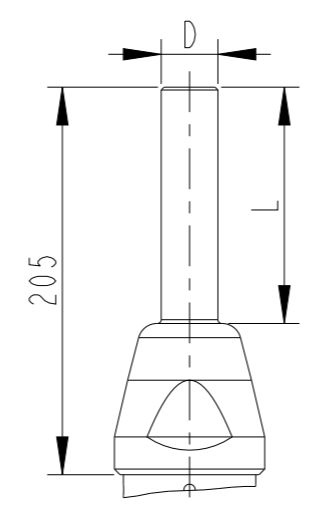


This document is issued by means of a computerized system. The digitally stored original is electronically approved. The approved document has a date entered in the "Approved"-field. A manual signature is not required.

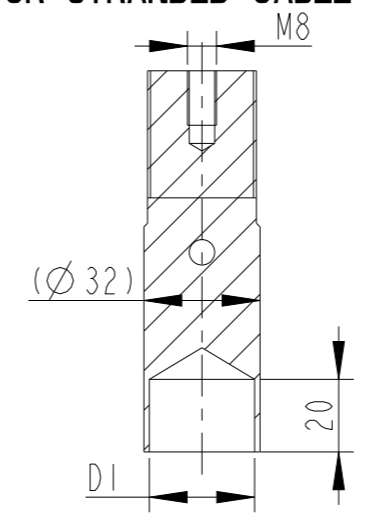
We reserve all rights in this document and in the information contained therein. Reproduction, use or disclosure to third parties without express authority is strictly forbidden.



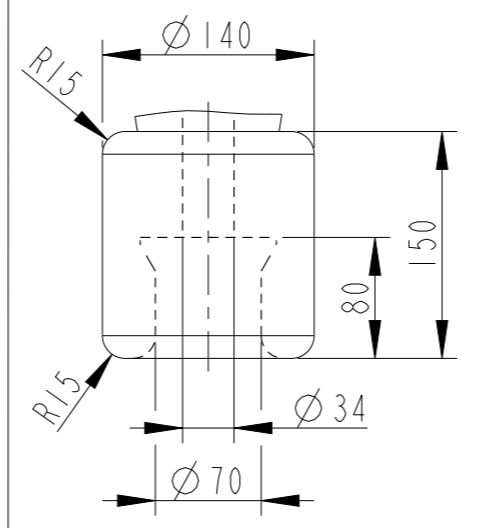
OUTER TERMINAL



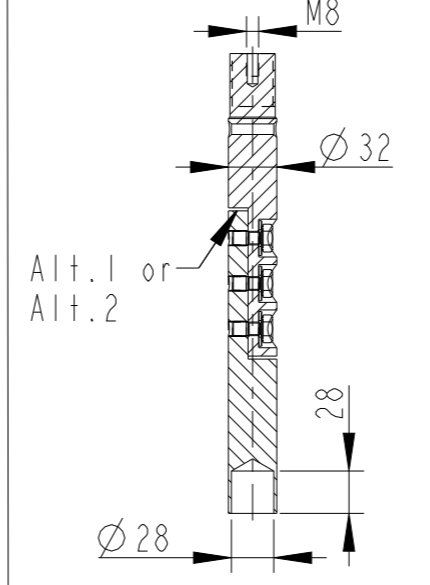
INNER TERMINAL FOR STRANDED CABLE



END SHIELD



SOLID ROD CONNECTOR



The solid rod can be divided either:
 Alt.1: 20mm below the bushing flange or
 Alt.2: 20mm below the upper end of the bottom porcelain

- △ 1) M12 (For Earthing)
- △ 2) Ø4 Oil connection hole (only valid for horizontal mounting)

| Revision | Revision text |
|----------|--|
| D | Bushing -HM & -HN added. Note, Bushing Data and Dimension updated. |

Bushing Data:

| | | |
|--------------------------------|----------|----|
| Rated Voltage | 170 | kV |
| Phase-to-earth Voltage | △ 98 | kV |
| Dry Lightning Impulse 1,2/50µs | 750 | kV |
| Wet power frequency AC | 325 | kV |
| Routine test 1 min dry 50Hz | 365 | kV |
| Rated Current | 1250 | A |
| Creepage Distance | 5420±140 | mm |
| Creepage Distance Protected | 2330 | mm |
| Mass | △ 238 | kg |

Ordering Data:

| BUSHING | COLOUR | AIR INSULATOR | |
|----------------|------------|--------------------|-----|
| LF123078-M | BROWN | | |
| LF123078-N | LIGHT GREY | | |
| △ LF123078-HM | BROWN | Horizontal 45°-90° | |
| △ LF123078-HN | LIGHT GREY | Horizontal 45°-90° | |
| OUTER TERMINAL | Material | D | L |
| LF 170 002-B | Cu alloy, | Ø 30 | 125 |
| LF 170 001-B | Al, | Ø 30 | 125 |

OTHER TYPES ON REQUEST

INNER TERMINAL FOR STRANDED CABLE

| For brazing | Conductor area | D |
|--------------|---------------------------|------|
| LF 170 011-T | up to 285mm² | Ø 29 |
| LF 170 011-V | Undrilled with pilot hole | Ø 5 |

SOLID ROD CONNECTOR

| | Material |
|-------------------------|----------|
| LF 170 052 -R for Alt.1 | Cu |
| LF 170 052 -N for Alt.2 | Cu |

| Ludvika, Sweden | | | |
|-----------------|------|--------|------------|
| No. | Um | kV Ir | A 50/60 Hz |
| ○ | BIL | kV SIL | kV AC |
| M | kg L | mm | ✓ |
| C1 | pF | Tan δ | x |
| C2 | pF | Tan δ | x |

| | | | | |
|--|--|--------------------|---------------|------------------|
| Approved 2021-11-12 | Document Kind Dimension Drawing | Based on doc.id | Work order id | Project id |
| Company ABB Technology Ltd | Title, Supplementary title GOB 750-1250-0.3 | | | |
| Responsible Department SEABB-9AAE300824 | Without oil level gauge. Long end shield. | | | |
| ABB | Document id 2751369-166 | Status Released | Revision D | Iteration 1/1 |