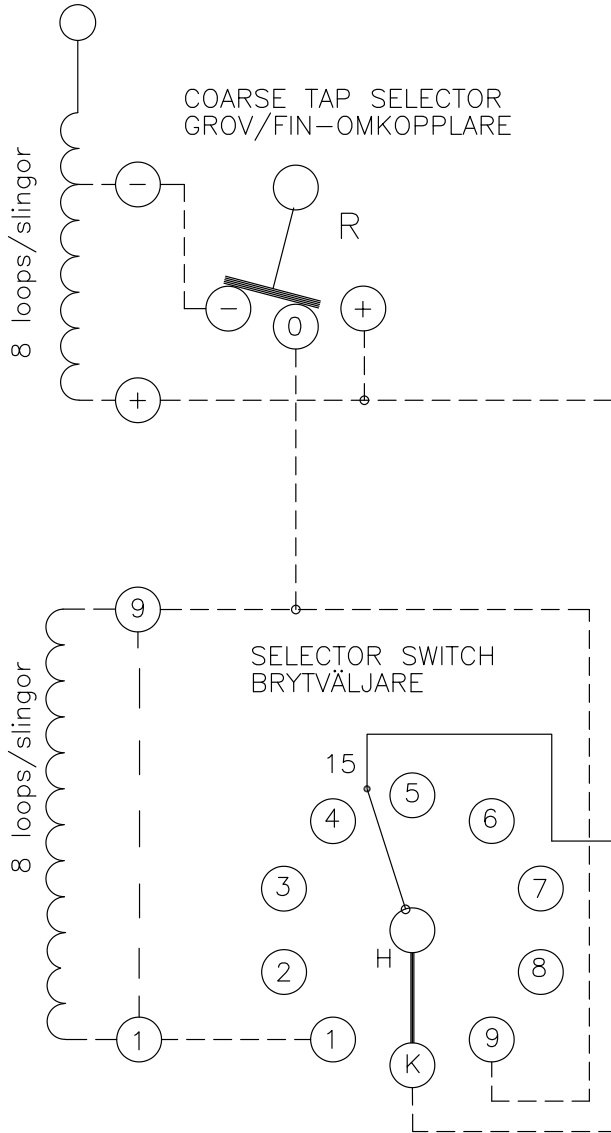


On-load tap-changer type VUBBD, UBBD, 17 tap positions, coarse/fine-switching.
 Min effective No. of turns in pos 1.
 The tap-changer is delivered set in pos 9, the preceding pos. was 9A.

Lindningskopplare typ VUBBD, UBBD, 17 lägen, grov/fin-koppling.
 Min antal effektiva varv i läge 1.
 Lindningskopplaren levereras inställd i läge 9, föregående läge var 9A.

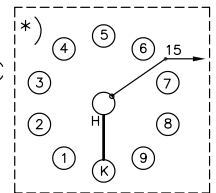


H Main contact
 Huvudkontakt

Pos Läge	R connects förbinder	H connects förbinder
1		9 - 15
2		8 - 15
3		7 - 15
4		6 - 15
5		5 - 15
6		4 - 15
7	0 -	3 - 15
8		2 - 15
9A		1 - 15
9		K - 15
9B		9 - 15
10		8 - 15
11		7 - 15
12	0 +	6 - 15
13		5 - 15
14		4 - 15
15		3 - 15
16		2 - 15
17		1 - 15

We reserve all rights in this document and in the information contained therein. Reproduction, use or disclosure to third parties without express authority is strictly forbidden.
 © ABB '19

1) OUTPUT TERMINAL
 STRÖMAVTAGNING
 *) FOR VUBB TYPE OF OLTC
 I VUBB UTFÖRANDE



1) Internal connections between the terminals 15 of the three phases are included in the star-point type. Dashed lines show in delivery not included leads belonging to cleats and leads.

Inre förbindningar mellan uttag 15 i de tre faserna ingår i nollpunktsutförande. Streckade linjer visar i leveransen ej ingående ledare tillhörande anslutningsdonet.

Sheet	Cont	Year	Week	Cont
2	Output for VUBB type added.	DAAN	20	15
1	VUBBD added.	TL	10	27
Rev Ind	Revision	Appd	Year	Week
Rev Ind	Accepted by qual control R.Yngvesson	Accepted for prod by	Description (English) CONNECTION DIAGRAM	
Design checked by	B-O.Stenestam	Drawn by	Description (own language) KOPPLINGSSHEMA	
Drawn by	L.Bergman	Issued by Dept	Year	Week
Design checked by	M.Hedlund	COM/TKO	97	32
ABB		Asea Brown Boveri		

5492 0392-6

DATAORIGINAL	
File name	0392-6
Lang	Sheet
	1
Rev Ind	Cont
2	-