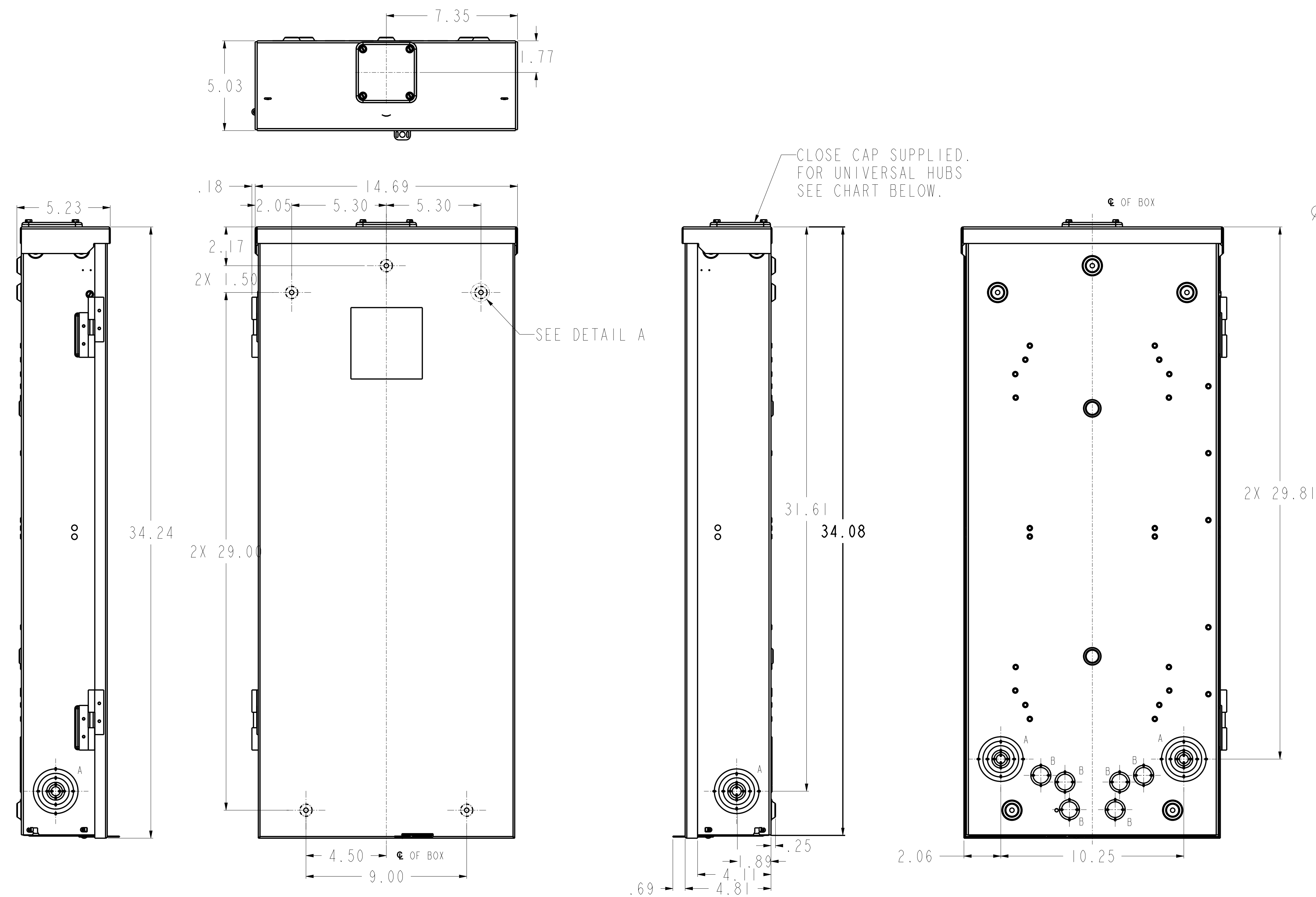


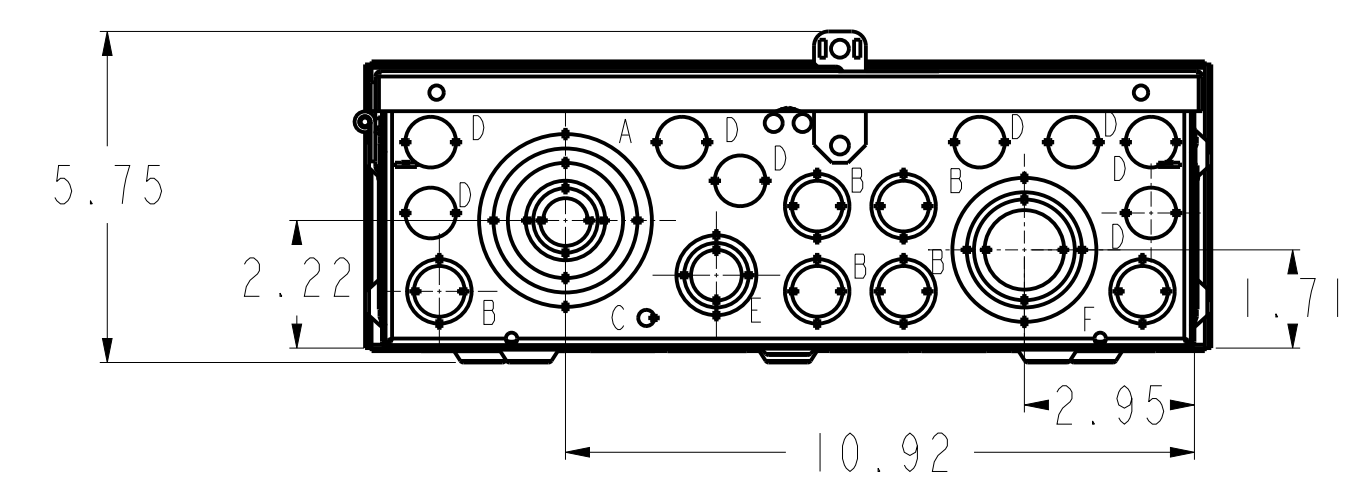
CAT NUMBER	DESCRIPTION	MODEL
PLM3220R	MAIN LUG 32 CIRCUIT, 200 AMP NEMA 3R, CU BUS, PON	I
PM3220R	MAIN BREAKER 32 CIRCUIT, 200 AMP NEMA 3R, CU BUS, PON	I



DETAIL A  
SCALE 3:5

MOUNTING HOLES (5x)  
ON THE BACK SURFACE OF THE ENCLOSURE

UNIVERSAL HUB	
CONDUIT SIZE	CATALOG NO.
3/4	TC75
1	TC100
1 1/4	TC125
1 1/2	TC150
2	TC200
2 1/2	TC250
CLOSING CAP	TCCP



KNOCKOUT TABLE		
SYMBOL	SIZE	QTY
A	1/2 x 3/4 x 1 x 1 1/2 x 2 x 2 1/2 KO	5
B	1/2 x 3/4 KO	12
C	9/32 KO	1
D	1/2 KO	8
E	3/4 x 1 x 1 1/4 KO	1
F	1 x 1 1/4 x 1 1/2 x 2 KO	1

ALL DIMENSION HAVE +/- .125 TOLERANCE

**ABB**

OUTLINE DRAWING 32 CKT, 200 A  
OUTDOOR LOAD CENTER ASM ENCL 34.24"

THIRD ANGLE	SHEET#	DWG NO.	DATE	REV
	1 of 1	10103091SH275	31-Jan-22	1