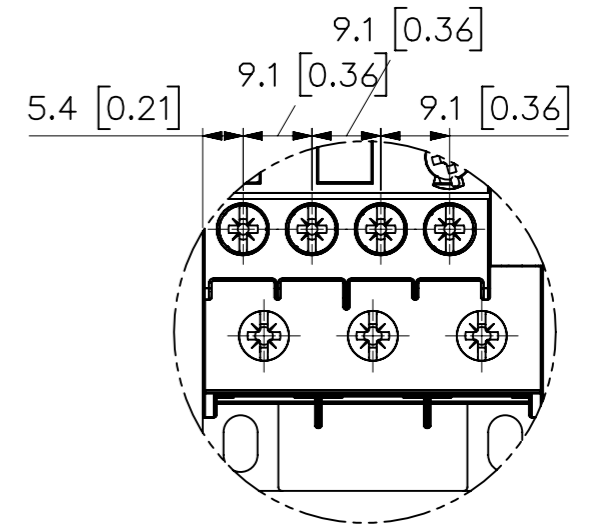
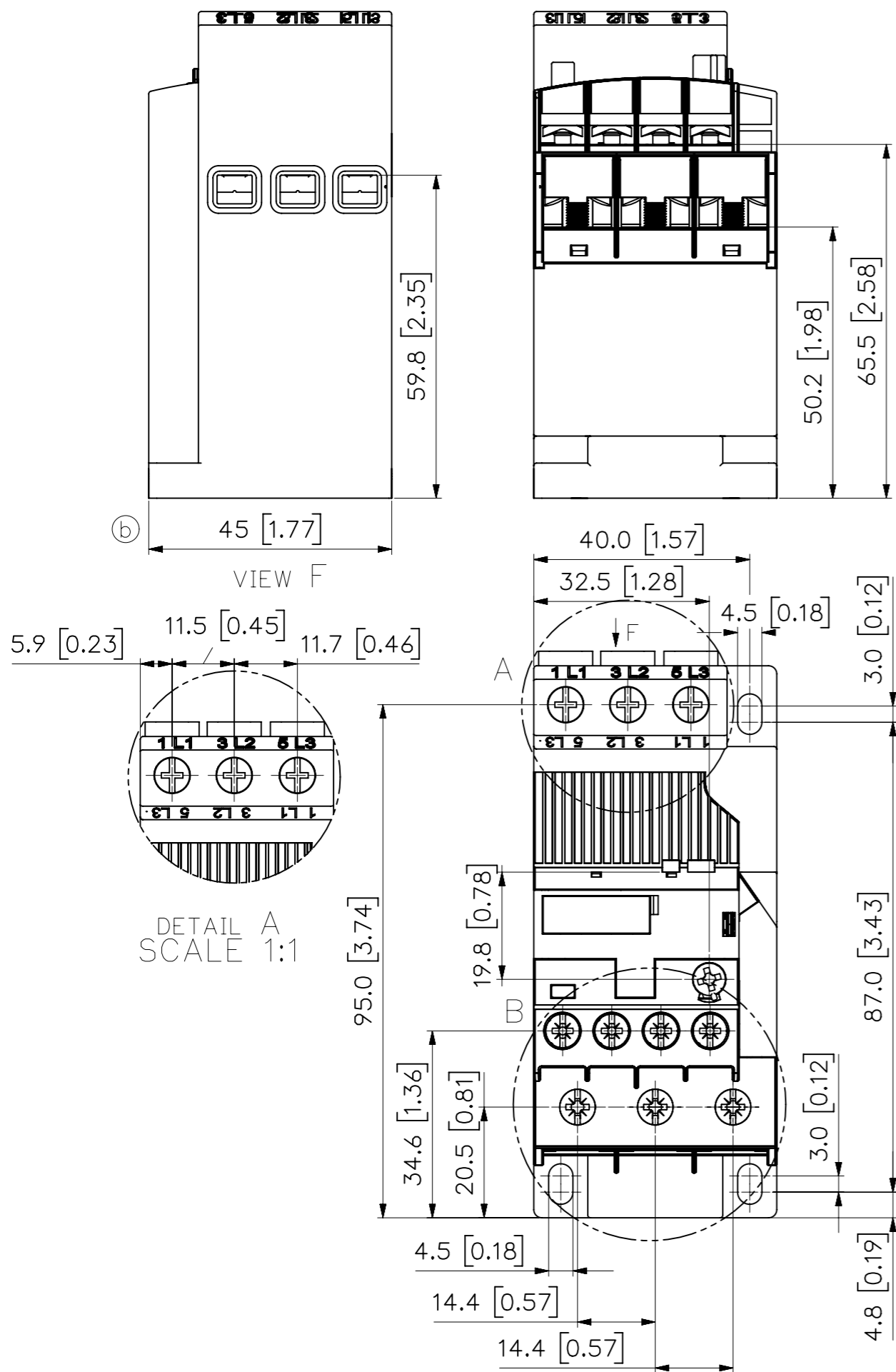


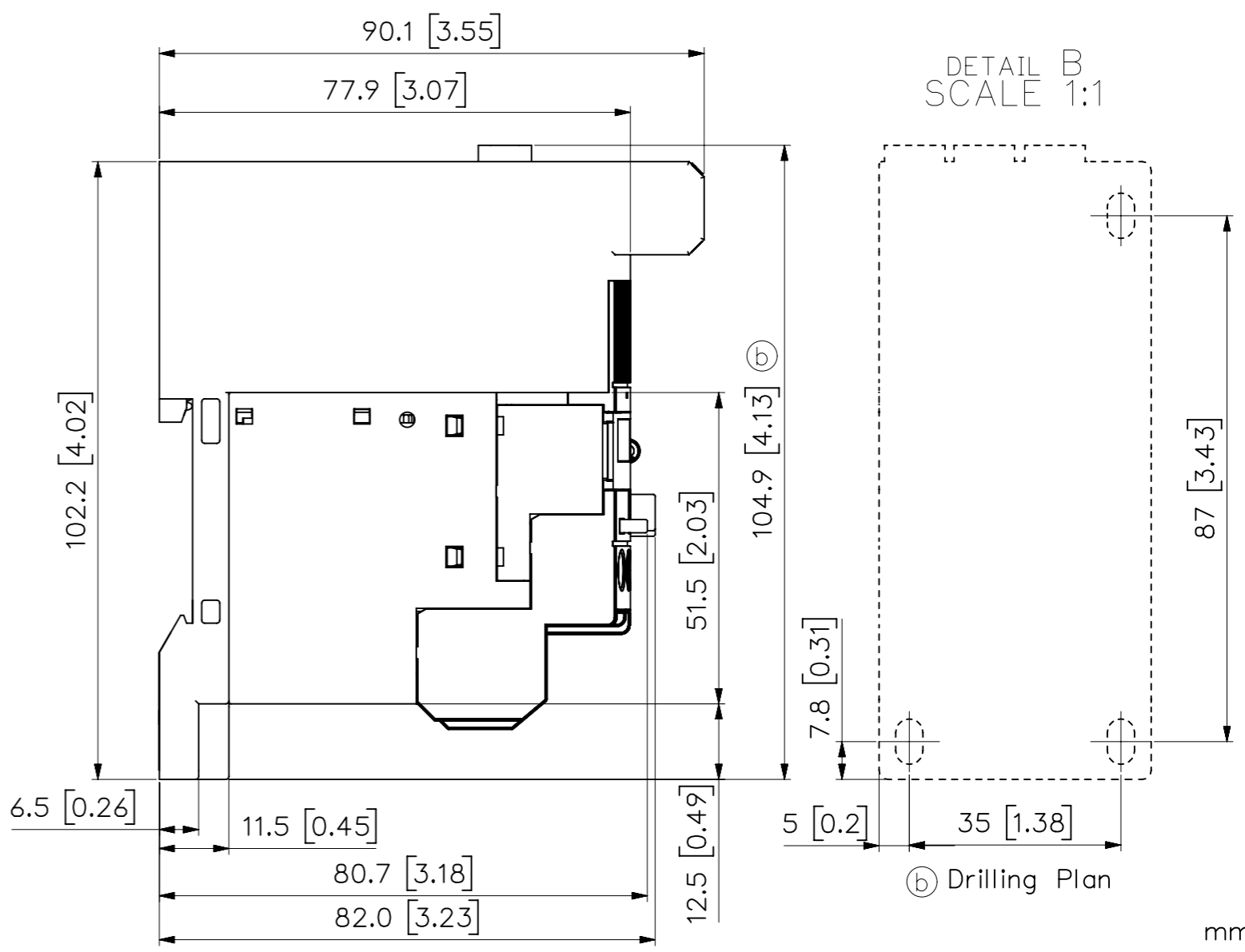
5	6	7	8
Item-No.	Title	Identification No.	
	Dimension drawing with TF42	1SA Z70 0411 F..	

Free tolerances acc. to ISO 2768
 Roughness-Symbols acc. to GZM 020007 acc. to DIN ISO 1302

We reserve all rights in this document and in the information contained therein. Reproduction, use or disclosure to third parties without express authority is strictly forbidden.



DETAIL B
 SCALE 1:1



mm[inch]

Changes of dimensions reserved!

Revision	a	20000 70 1570	Prepared: 18.May.10 CoHu	Scale	1:1	sep.BOM same no.	<input type="checkbox"/>	sep.BOM different no.	<input type="checkbox"/>	
	b6	20000 70 2090	Checked: 18.May.10 DoFa			without sep.BOM	<input checked="" type="checkbox"/>	take over dep.:		
Responsible dep.: STO/CLD			Approved: 18.May.10 GuNi			Doc.type	Format	Lang.	Sheet No.	No. Sheets
ABB		Title: Dimension drawing with TF42		DB42		1SA Z70 0411				