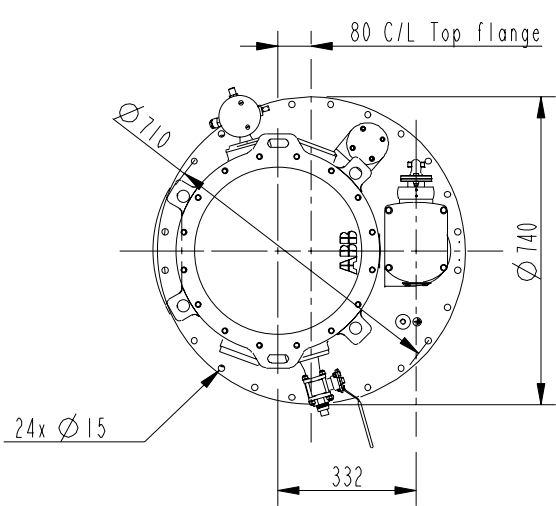
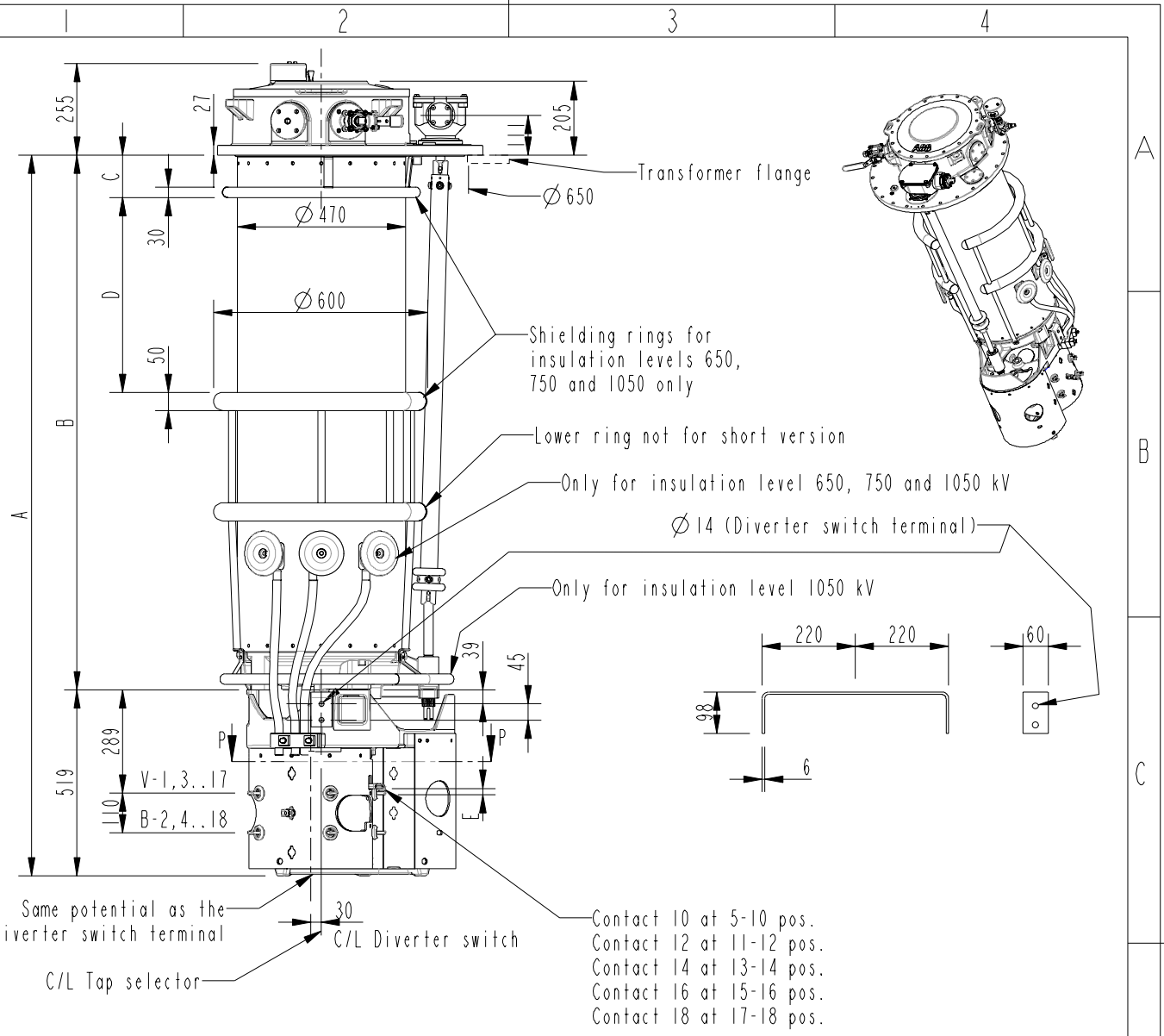


This document is issued by means of a computerized system. The digitally stored original is electronically approved. The approved document has a date entered in the 'Approved -field. A manual signature is not required.

We reserve all rights in this document and in the information contained therein. Reproduction, use or disclosure to third parties without express authority is strictly forbidden. © Copyright 2015 ABB. All rights reserved.



Positions	E
5-14	18
15-18	56

INSULATION LEVEL kV	380	1050	SHORT VERSION b)	
	650 750		380,650 750	1050
Dimensions in mm	A 1711 a)	2011 a)	1491 a)	1791 a)
	B 1192 a)	1492 a)	972 a)	1272 a)
	C 119 a)c)	119 a)	119 a)c)	119 a)
	D 240 c)	540	240 c)	540

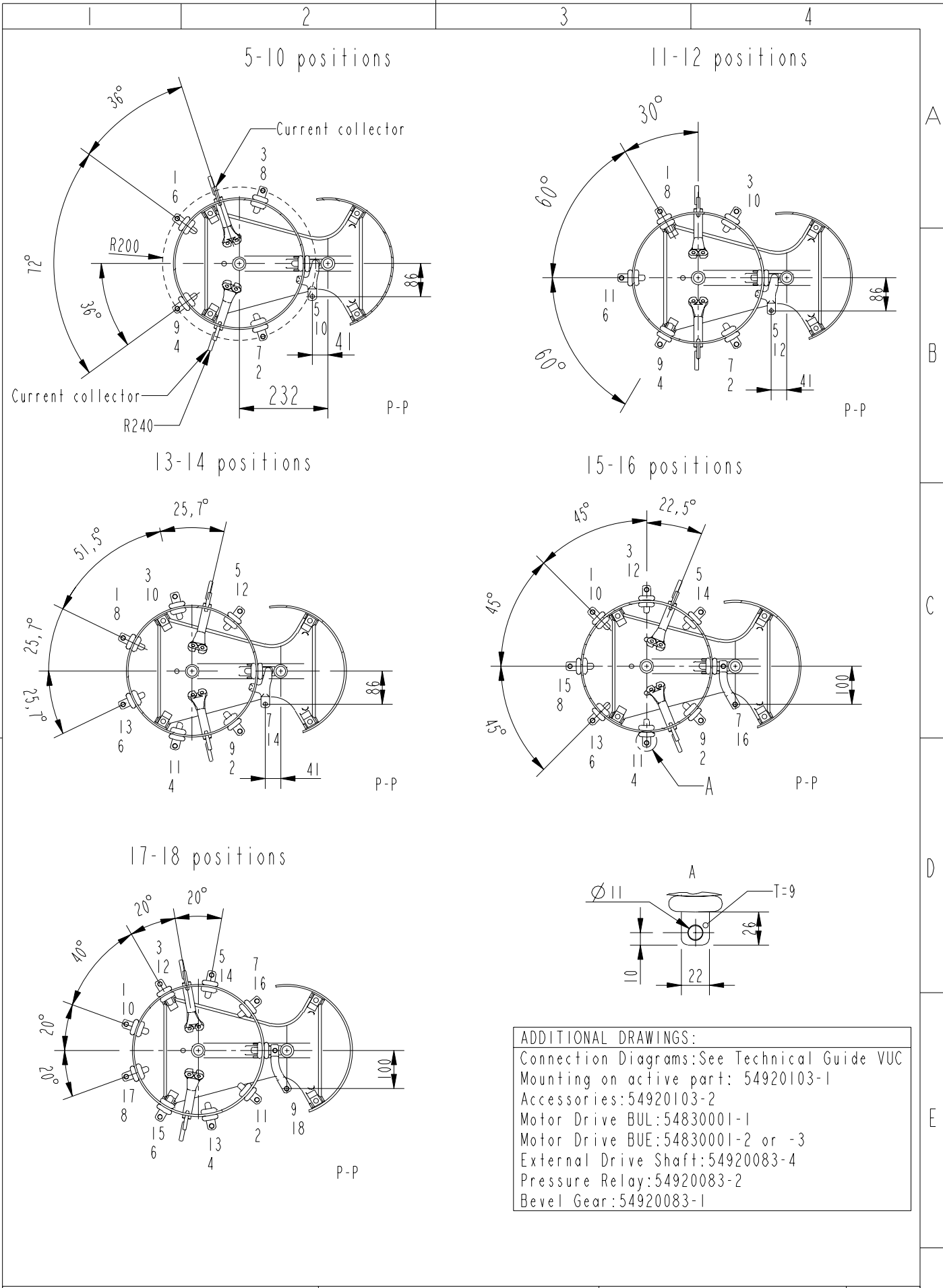
a) For mounting on active part use A+106,B+106 and C+106 (See also Drawing 54920103-1)
 b) Short version means reduced switching capacity. Please refer to Technical Guide
 c) Not applicable for 380 kV

Date / Approved 2017-06-09	Responsible department PGCO/TK	Document Kind DIMENSION DRAWING	
-------------------------------	-----------------------------------	------------------------------------	--

	Title Tap-Changer VUCGLB (1 Phase).E.T XXXX/450-600/C 5-18 Pos		
	Document Id. 1ZSC004882-AAU	Revision B	Language 82

This document is issued by means of a computerized system. The digitally stored original is electronically approved. The approved document has a date entered in the 'Approved'-field. A manual signature is not required.

We reserve all rights in this document and in the information contained therein. Reproduction, use or disclosure to third parties without express authority is strictly forbidden. © Copyright 2015 ABB. All rights reserved.



Date / Approved 2017-06-09		Responsible department PGCO/TK		Document Kind DIMENSION DRAWING		☞	
ABB		Title Tap-Changer VUCGLB (1 Phase).E.T XXXX/450-600/C 5-18 Pos				F	
		Document Id. 1ZSC004882-AAU		Revision B	Language 82		