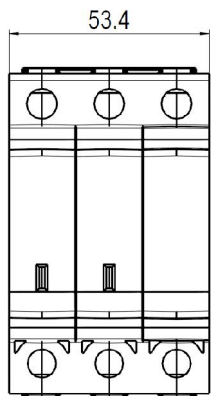
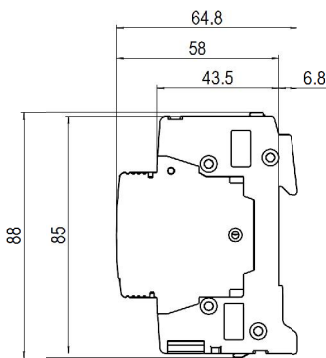




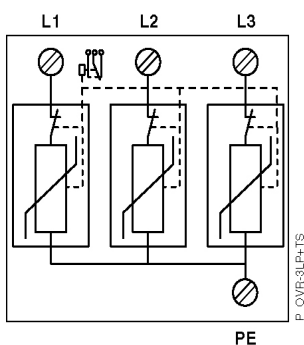
**OVR BT2 3L-40-400/690 P**  
 Order code : 2TAM 1030 00 R 49 00  
 EAN code : 6 940 342 27456 8



OVR BT2 3L-40-440/690 P



Overall dimensions (in mm)



Operating diagram

**Pluggable Unit**

**Electrical characteristics**

Types of networks		TNC
Number of poles		3
Type / test class		T2 / II
Type of current		A.C.
Nominal voltage Un	V	400 / 690
Maximal continuous operating voltage Uc (L- PE)	V	440
Voltage protection level Up at In	kV	2.9
Voltage protection level Ures at 3 kA	kV	2.1
Voltage protection level Ures at 5 kA	kV	2.2
Nominal discharge current In (8/20)	kA	15
Maximal discharge current Imax (8/20)	kA	40
TOV withstand Ut ( 5s )	V	690
Follow current If	A	None
Response time	ns	25
Operating current Ic	mA	< 1
Short circuit withstand Icc	kA	50
Degree of protection		IP 20
Disconnector		
Curve C Circuit breaker	A	<125
gG - gL fuse	A	<125

**Mechanical characteristics**

Wire range		
Solid wire	mm <sup>2</sup>	2.5...25
Stranded wire	mm <sup>2</sup>	2.5...16
Stripping length	mm	12.5
Tightening torque	Nm	2.8
Overall dimensions		
Length	mm	65
Width	mm	54
Height	mm	88
Integrated thermal disconnector		Yes
State indicator		Yes
Safety reserve		No
TS remote indicator		No
Contact complement		/
Minimal load		/
Maximal load		/
Connection cross section	mm <sup>2</sup>	/

**Miscellaneous characteristics**

Stocking temperature	°C	- 40 to +80
Operating temperature	°C	- 40 to +80
Maximal altitude	m	2000
Weight	g	360
Color of Housing		PC grey RAL 7035
Fire resistance according to UL 94		V0
Reference standards		GB 18802.1 / IEC 61643-1

**Replacement cartridges**

Phase	OVR T2 40-440/690 C	2TAM 1004 00 R 49 00
-------	---------------------	----------------------