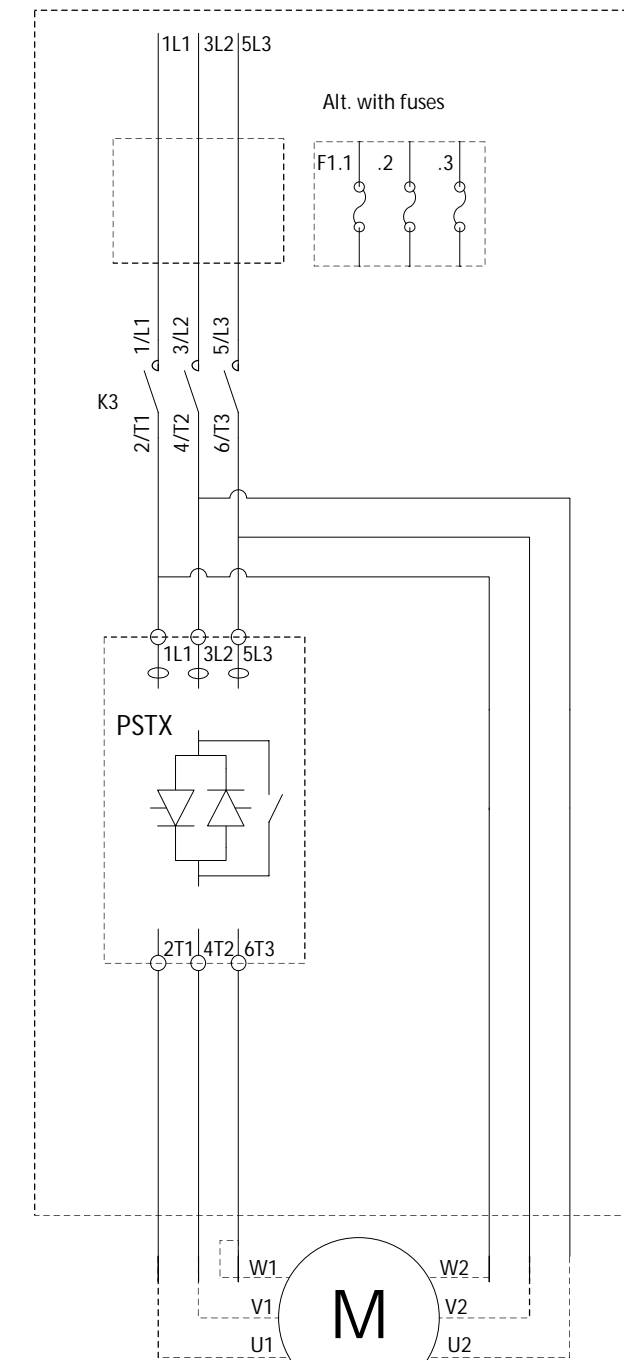
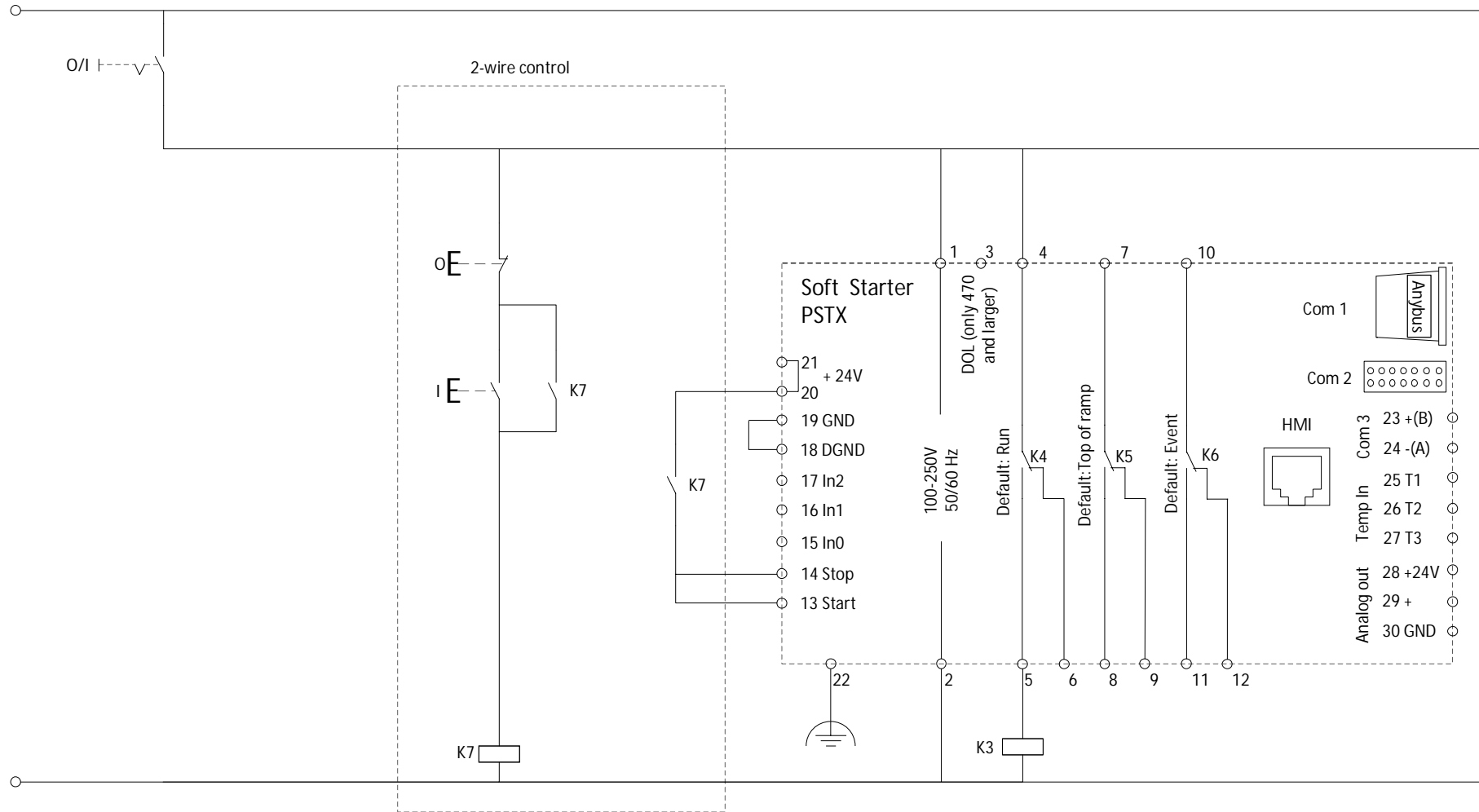


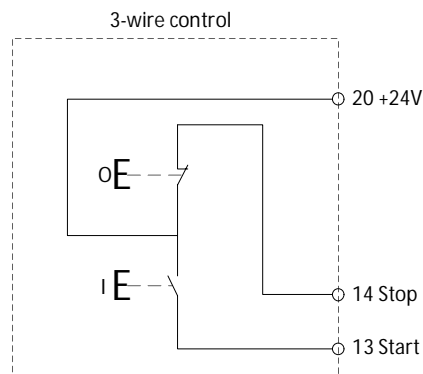
Rev	Pos	Description	Date	Sign.

Inside Delta with inline contactor. This will make the contactor  $1 \cdot \sqrt{3}$  times bigger than if contactor is inside delta connected (diagram 1SFB536005G5009)



Coil consumption for Inside Delta contactor.  
 Pull-in max 15A  
 Holding max 1,5A

If the pull-in or holding values are Higher, the Inside Delta contactor must be controlled via an auxiliary contactor.



We reserve all rights in this document and in the information contained therein. Reproduction, use or disclosure to third parties without express authority is strictly forbidden. Copyright ABB.

Proprietary and secret information

Created By Björn Johansson	State Approved	Responsible dep RE	Title Application diagram PSTX Inside delta with line contactor	Lang EN
Approved By David Wikström	Approved Date 161019	Revision A	Document Number 1SFB536005G5009	Size A3
ABB ABB AB, Control Products				Sheet 1 of 1